

# Aura Lunaria (Pro) (Edge-lit)

User Manual



MEMO

A large, empty rectangular box with rounded corners and a light gray border, intended for writing a memo. The box is centered on the page and occupies most of the lower half of the image.

## Description & Features

### Low Profile Ceiling Grid and Display LED Solution

Aura Lunaria (Pro) mainly consists of a revolutionary LED lighting guide plate with high brightness LEDs. It can be used as lighting (luminaire) for standard commercial ceiling grids 600 (625) mm x 600 (625) mm including low profile ceiling grid structure. Typically, Aura Lunaria (Pro) can replace standard fluorescent fixtures.

Aura Lunaria (Pro) is designed with illumination uniformity and anti glare-oriented technology to avoid eye fatigue or unduly stressing out your eyes. It is the best LED lighting solution for office, school, hospital and other indoor environments.

### Features

- Elegant look and modern style.
- Excellent brightness and lower power consumption.
- Eco-friendly (no mercury, no lead, no cadmium), no UV.
- Shallow height (Under 10mm).

## Warnings and important safety information

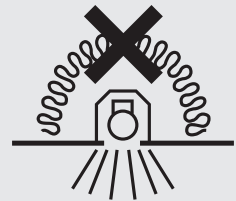
Aura Lunaria (Pro) is a recessed LED panel for standard commercial 600(625)X600(625)mm module ceiling grids structure. Typically, used for replacement of standard fluorescent lamp fixture.

### **IMPORTANT – Read all instructions before installation**

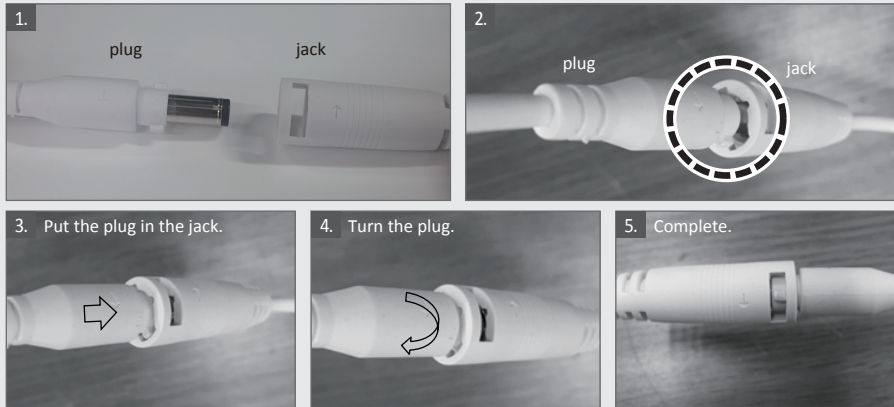
- Installation and maintenance must be performed by licensed electricians only.
- To avoid risk of electric shock, make sure to turn off main power switch prior to installation or maintenance.
- Must be installed in compliance with international wiring regulations(EN, IEE, NEC, etc.) & local building control in the EU
- Make sure input voltage and frequency are compatible with the fixture. Check product manual for power requirements prior to installation.

### **WARNING – Risk of Electric Shock. Suitable for damp and insulated locations**

- If the external flexible cable or cord of this luminaire is damaged, it shall be exclusively replaced by the manufacturer or his service agent or similar qualified person in order to avoid a hazard.
- Luminaires not suitable for covering with thermally insulating material.



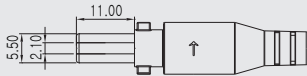
## How to install (DC plug & jack)



\* DC Connector Jack must be female & Locking type (ex. HEXIN, Model : Y008)

\* Length of DC connector : 11.0mm

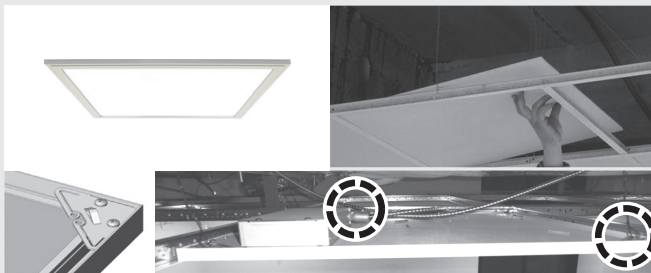
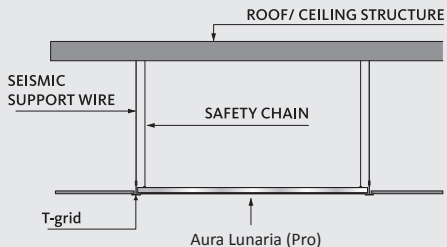
\* Diameter of DC connector :  $\varnothing 5.5\text{mm}$  (External diameter) /  $\varnothing 2.1\text{mm}$  (Internal diameter)




\* Max Current : 3.0A

## How to install (Mounting & Electrical)

### TYPICAL LAY IN FIXTURE DETAIL

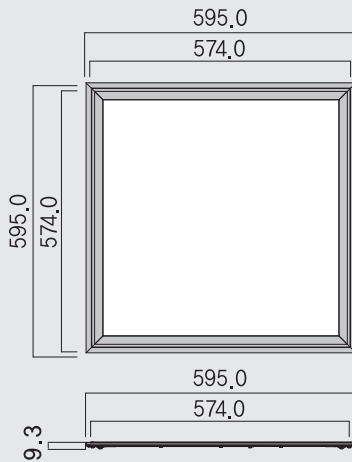


1. Remove Aura Lunaria (Pro) from its package.
2. Read the user manual in the package and prepare all tools & accessories for the installation.
3. Turn off the power supply before starting installation.
4. Remove ceiling tile of the position you wish to install Aura Lunaria Pro.
5. Place Aura Lunaria (Pro) on the ceiling grid.
6. Use suitable SELV independent type PSU (  ).
7. Corner brackets can be used to secure safety chain (wire).
8. Turn on the main power supply.

## Drawing

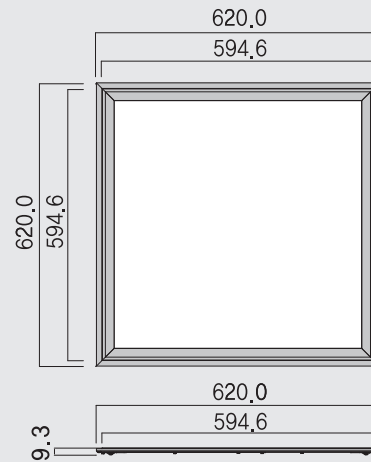
### DIMENSIONS

LPE30-5959



LPE30-6262

(Unit: mm)





Aura Light AB  
Fönstergatan 17  
598 40 Vimmerby  
Sweden  
+46 (0)20-32 30 30  
[www.auralight.com](http://www.auralight.com)