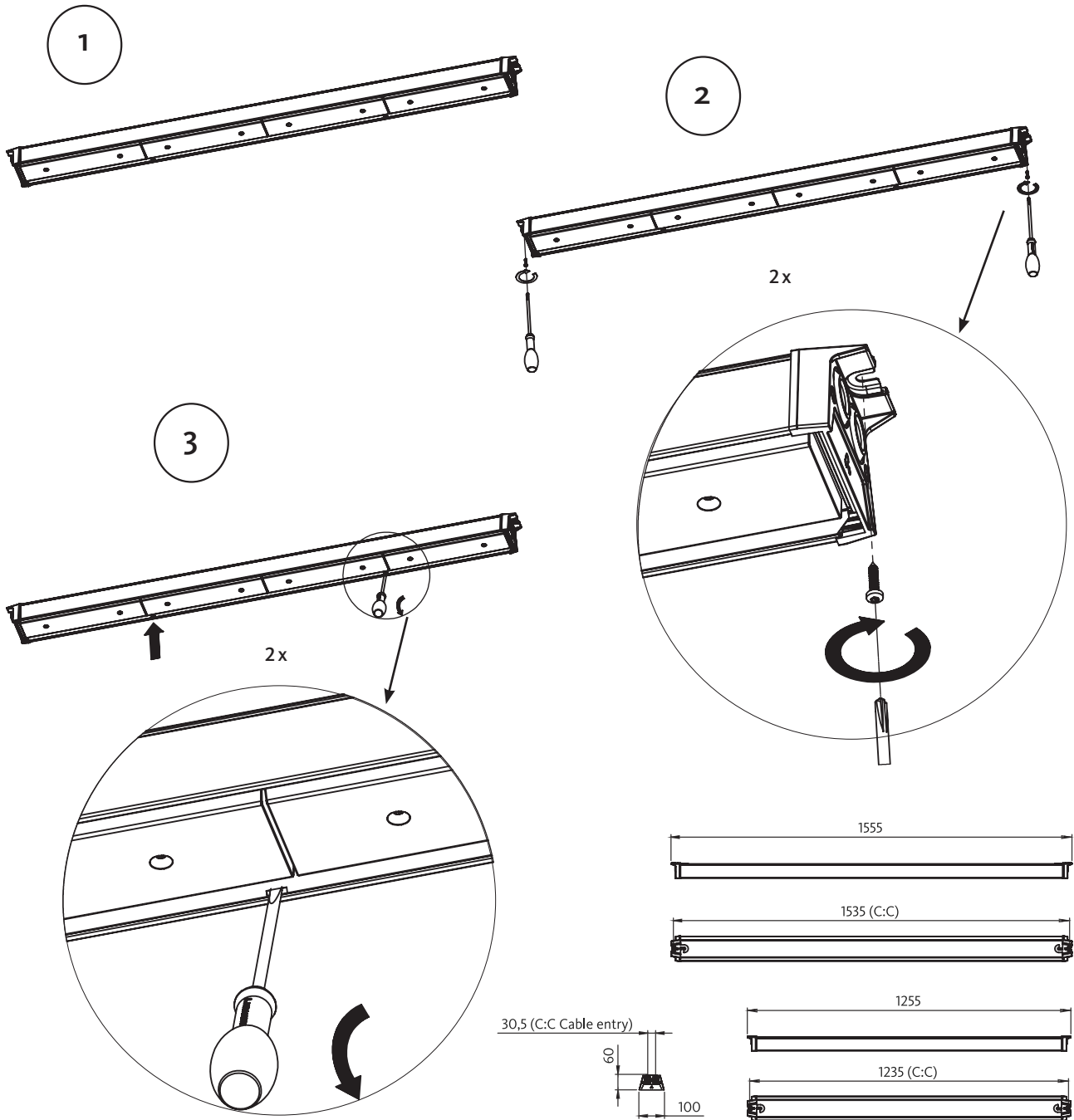
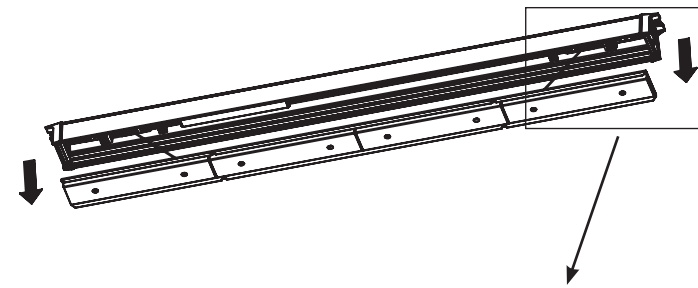


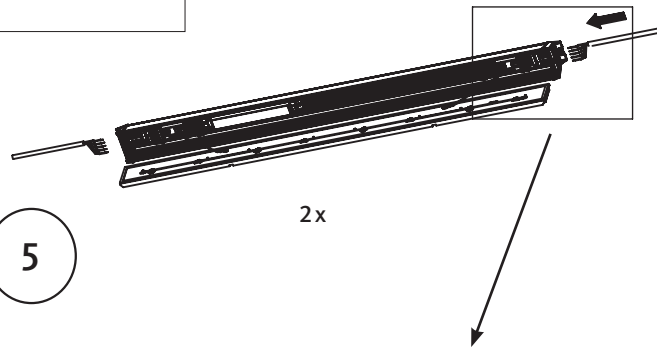
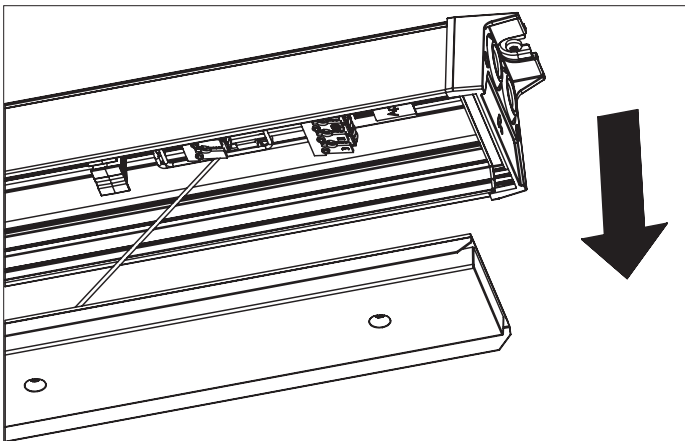
# Helags

Installation manual – ceiling



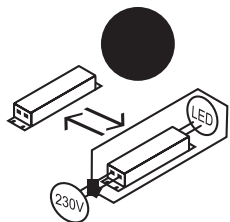


4

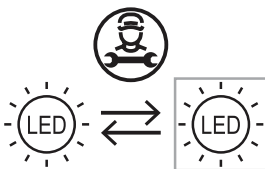


5

2x

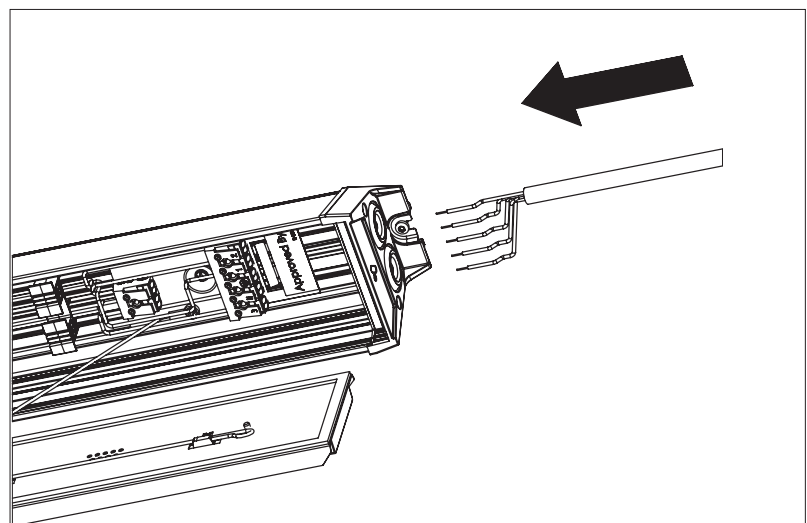


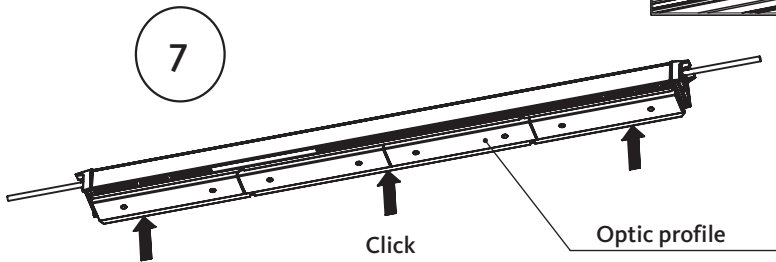
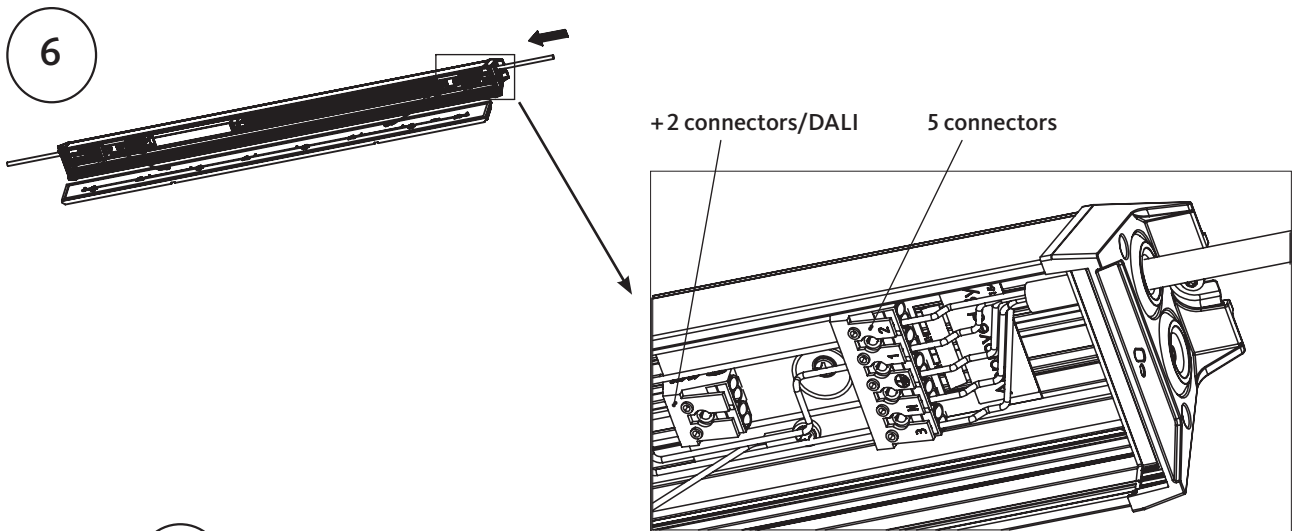
Replaceable control gear  
by a professional.



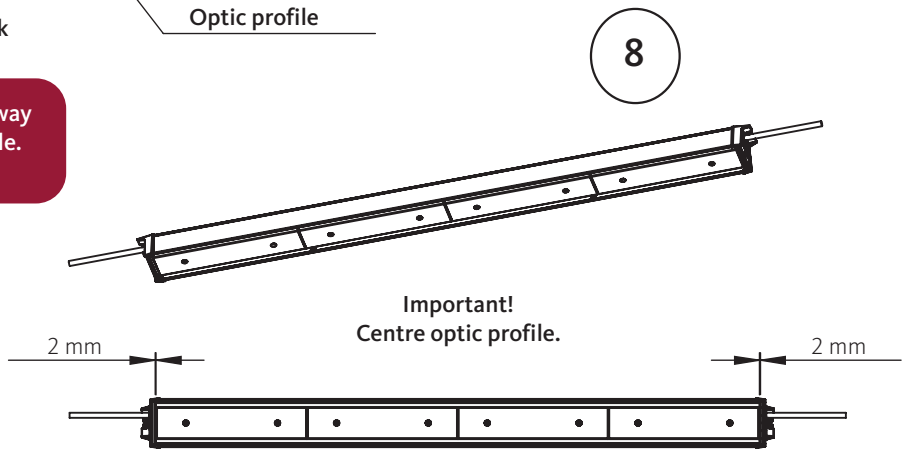
Replaceable LED light  
source by a professional  
or manufacturer.

**DALI:** Basic insulation between  
supply- and control-terminals.





**NOTE!** Keep inside cables away when mounting optic profile.  
Risk of electric shock!



Catenary wire

