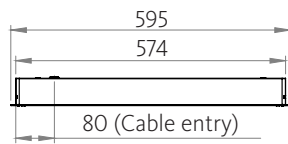


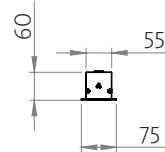
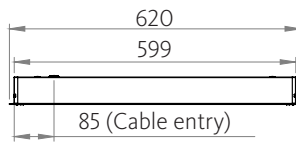
# Sevede RE

Installation manual

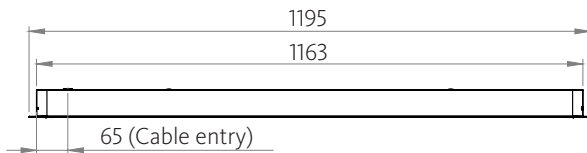
**Sevede RE 600**



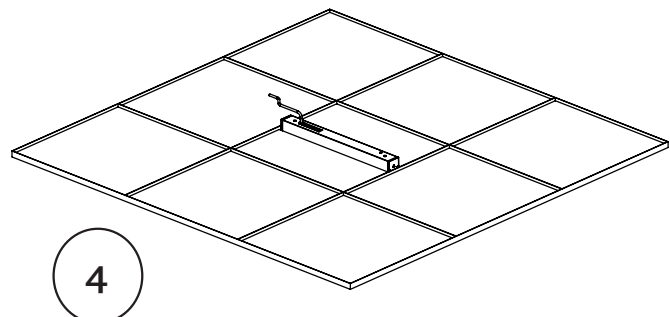
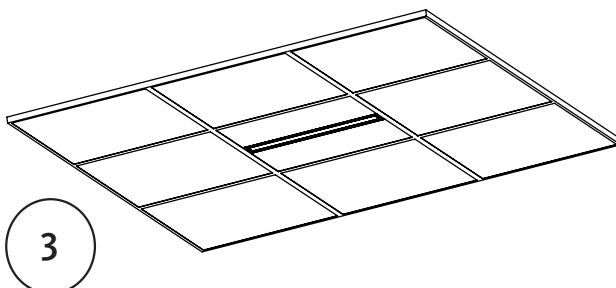
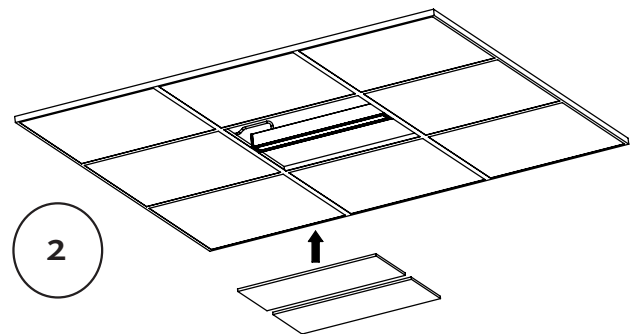
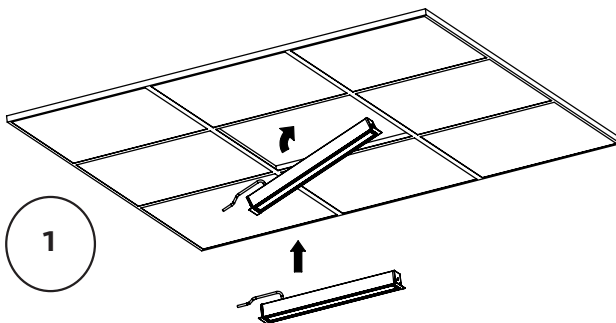
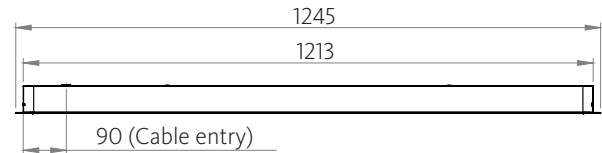
**Sevede RE 625**



**Sevede RE 1200**

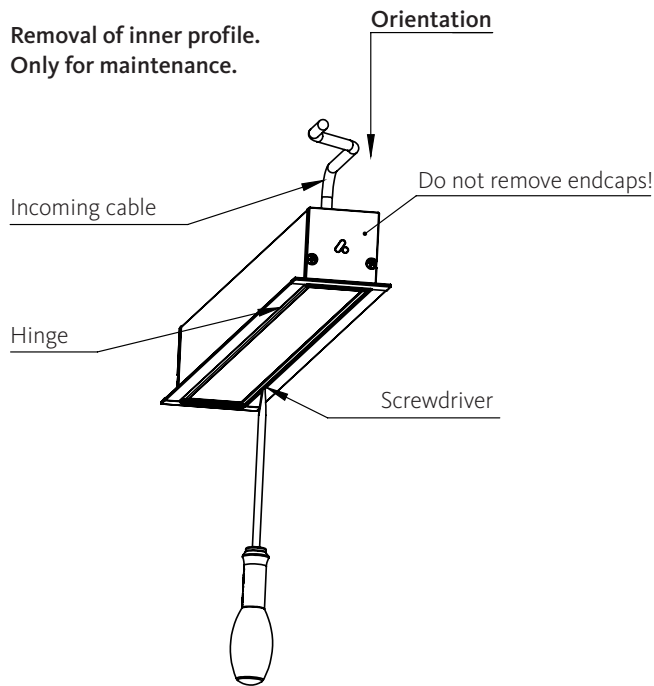


**Sevede RE 1250**

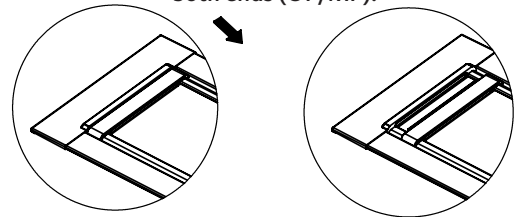


5

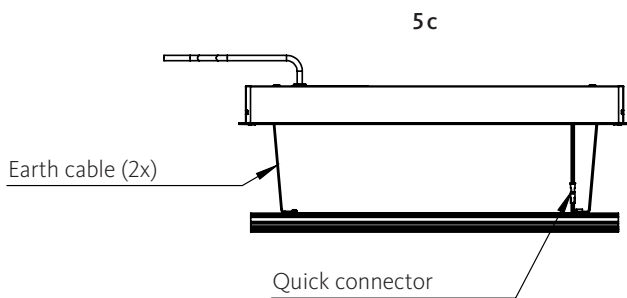
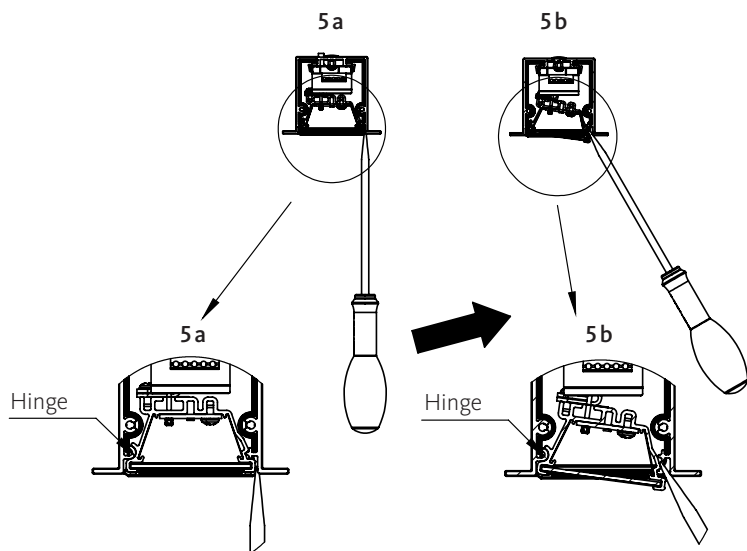
Removal of inner profile.  
Only for maintenance.



Move light trap (2x) in both ends (OP/MP).



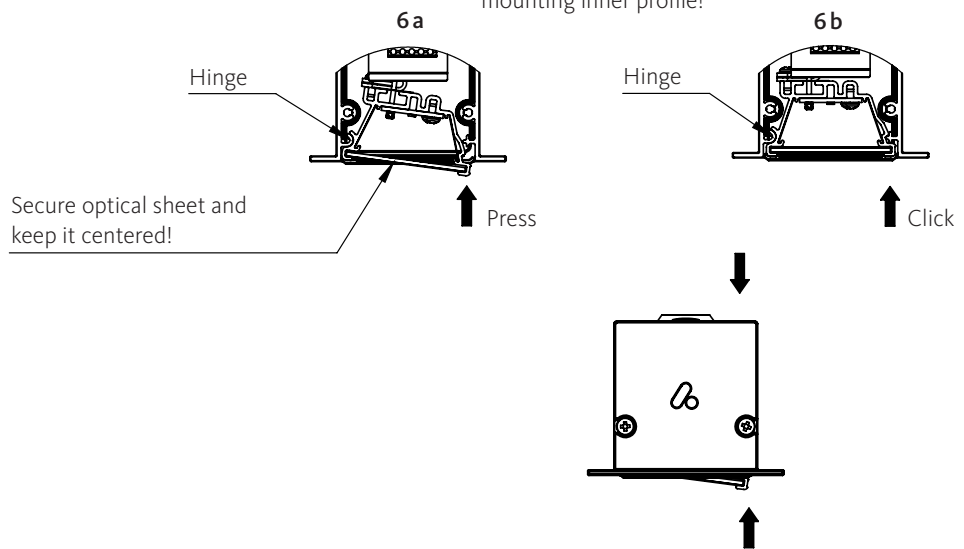
Cross section visualization.



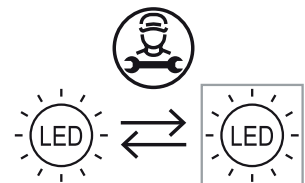
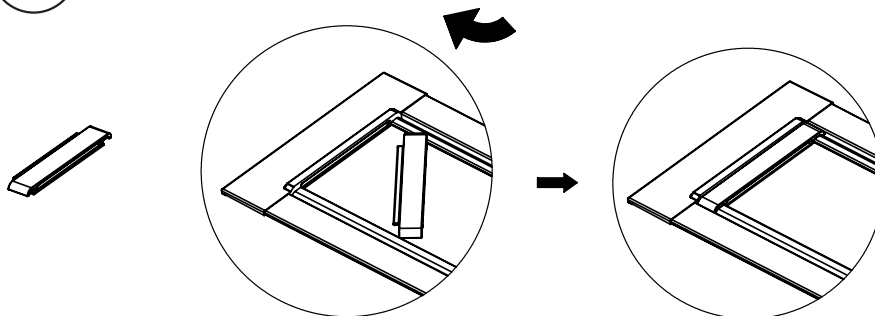
**6** Attach inner profile after maintenance.

**Cross section visualization.**

Keep inside cables away when mounting inner profile!



**7** Light trap (2x) in both ends (OP/MP).



**Note:** The light source contained in this luminaire shall only be replaced by the manufacturer or his service agent or a similar qualified person.

Basic insulation between supply- and control-terminals (DALI).

If the external flexible cable or cord of this luminaire is damaged, it shall be exclusively replaced by the manufacturer or his service agent or a similar qualified person in order to avoid a hazard.

