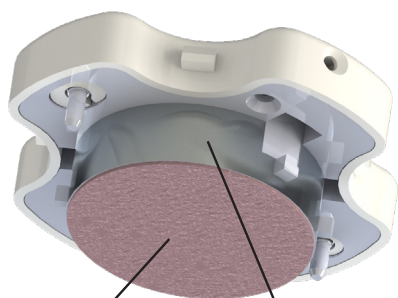
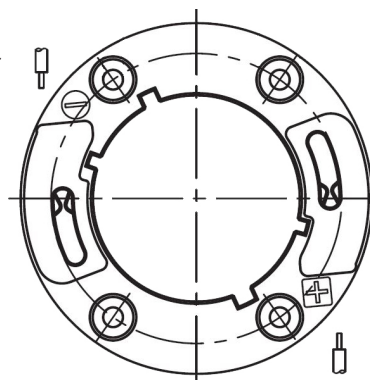


Installation instructions CompoLED

To be used with a SELV source
with short-circuit protection.

Constant current if nothing else is mentioned.

$P_d = \text{Max } 40W$



Max Td = 70°C

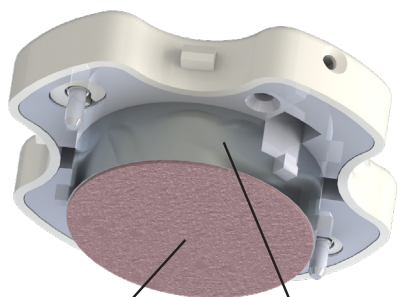
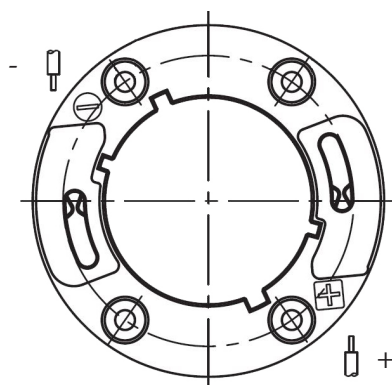
Max Tc = 80°C

Installation instructions CompoLED Tunable White

To be used with a SELV source with short-circuit protection.

Constant current if nothing else is mentioned.

$P_d = \text{Max } 40W$



Max Td = 70° C

Max Tc = 80° C

