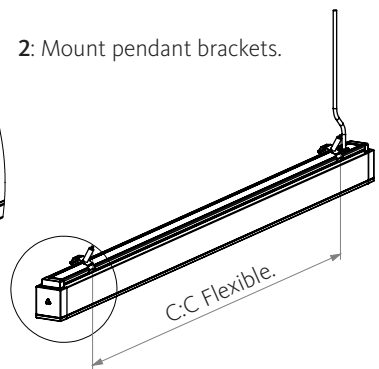
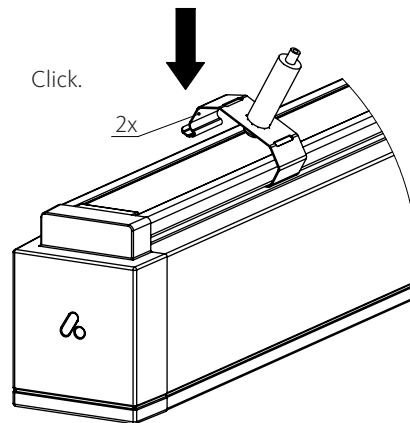
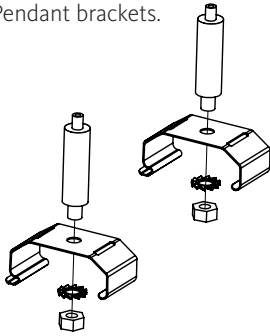


Sevede PE

Installation manual

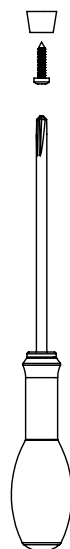
1: Pendant brackets.



2: Mount pendant brackets.

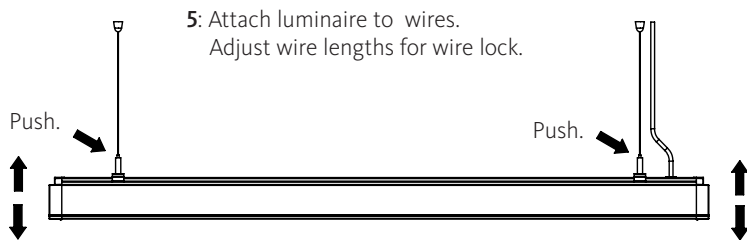
VERSION	C:C MIN. (mm)	C:C MAX. (mm)
Sevede PE 1200	600	1100
Sevede PE 1700	1200	1650

3: Mount ceiling bracket (2x). Screws not provided.

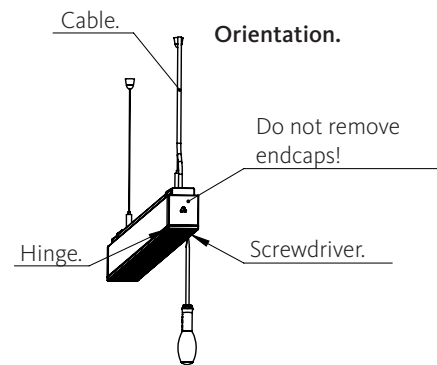


4: Mount wires (2x).

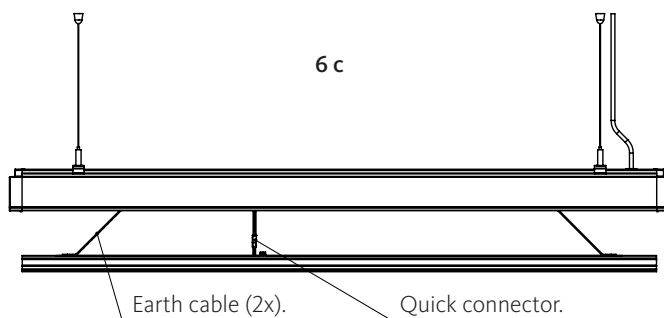
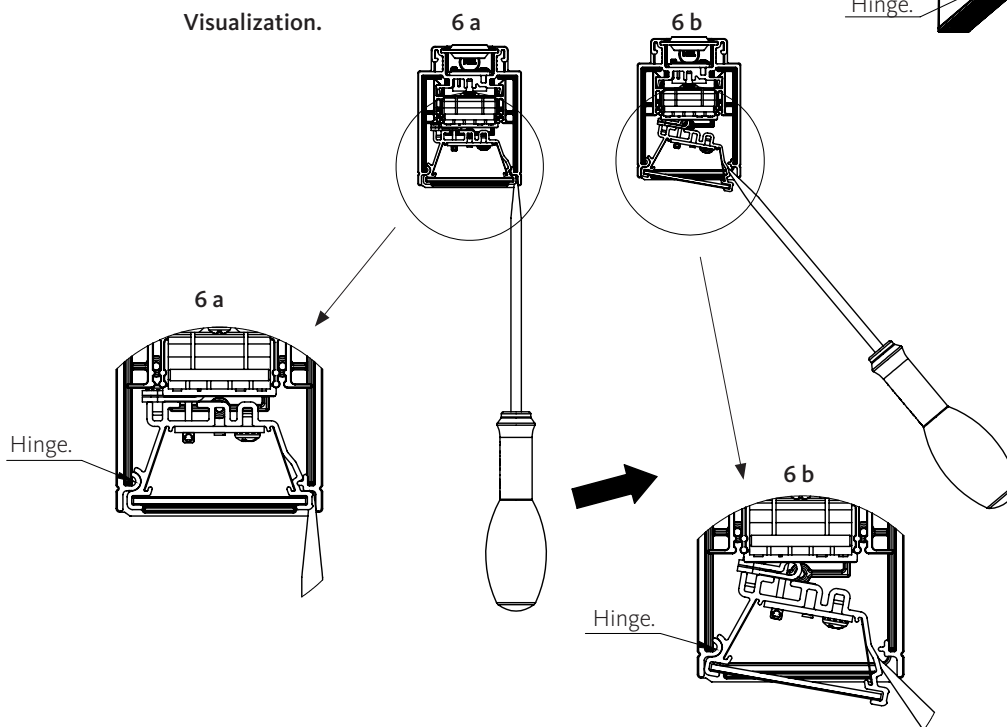


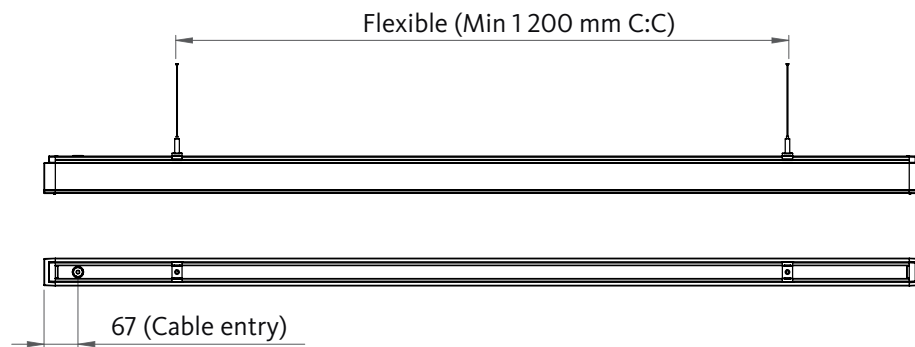
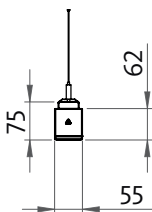
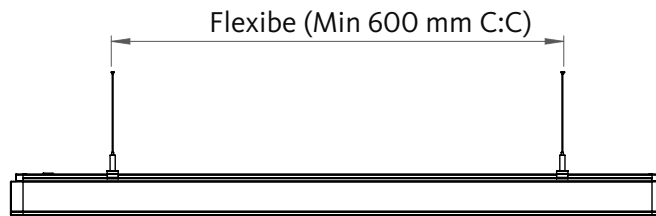
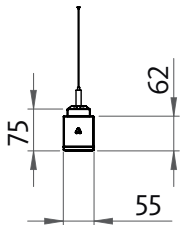


6: Removal of inner profile.
Only for maintenance.



Visualization.





Note: The light source contained in this luminaire shall only be replaced by the manufacturer or his service agent or a similar qualified person.

Basic insulation between supply- and control-terminals (DALI).

If the external flexible cable or cord of this luminaire is damaged, it shall be exclusively replaced by the manufacturer or his service agent or a similar qualified person in order to avoid a hazard.

