

# Safie Mirror

Installation manual

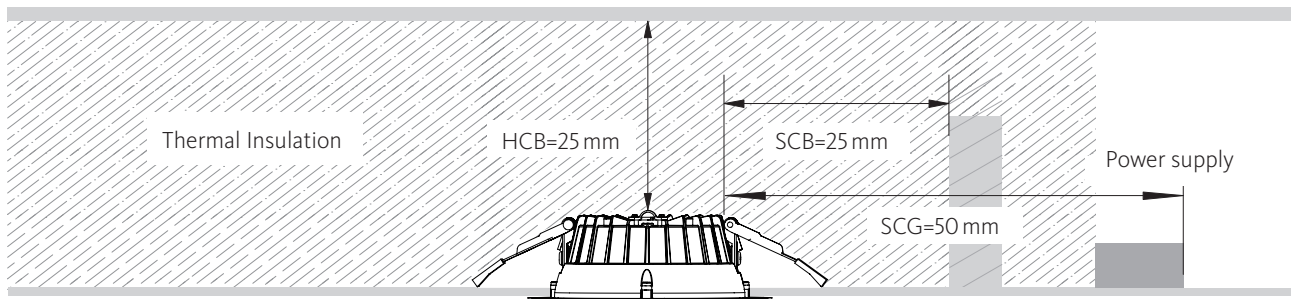
## Important Safety Instructions

**Basic safety precautions should always be followed when installing, including the following:**

- 1: Read instructions and check that you have all tools and accessories to complete the installation correctly.
- 2: Licensed electrician for installation only.
- 3: Always ensure the power is off and the fitting has cooled down before performing any maintenance, cleaning, or adjustment to the fitting.
- 4: Do not install any luminaire near a heat source.
- 5: Do not exceed the nominal supply voltage or amperage ratings.
- 6: To avoid injury or damage to the fitting, please ensure that power leads and screws are secure before connecting the power.



## Installation Spacing



### Risk of fire!

Required clearance from structural members and building elements.

SCB=25 mm  
 HCB=25 mm  
 MIC=0 mm  
 SCI=0 mm

**HCB:** Height clearance to building element.

**MIC:** Minimum insulation clearance.

**SCI:** Side clearance to insulation.

**SCB:** Side clearance to building element.

**SCG:** 50 mm.

SCG=side clearance to auxiliary equipment.

CG=control gear.

Ceiling cutout reference table.

Downlight diameter (mm)	190	228
Ceiling Cutout (mm)	160-170	200-210

**IP rating table:** Before installation, please check the IP label on the luminaire to choose the right place to install.

IP40	Indoor use only, do not use in wet or damp place.
IP54	Suitable for indoor areas including bathrooms and covered/sheltered areas such as porches.

**Dimmer selection table:** Before installation, please check the information of driver as below.

Non-dim	Can not be used with any dimmer.
DALI	Only work with DALI dimming system, dimming range 8-100%

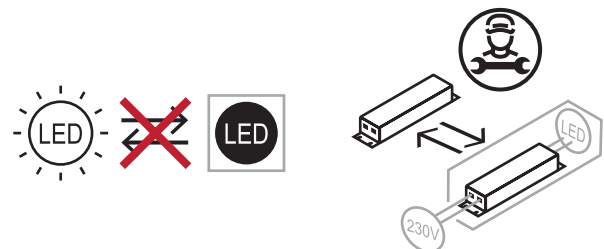
## Installation Procedure

### Warning

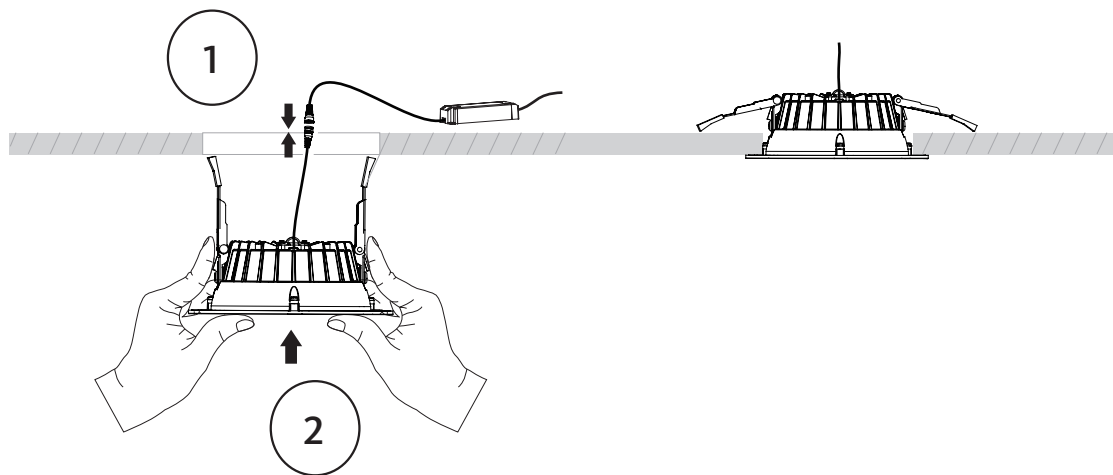
- 1: Switch off before installation.
- 2: Switch on only after complete installation and examination of the circuit.
- 3: Professional electrician for installation and maintenance only.
- 4: Input wire diameter  $\geq 0.75\text{mm}^2$ .
- 5: Product modification and improper installation are not valid for warranty!
- 6: Light source of the luminaire is non-user-replaceable. If it is damaged, the luminaire shall be destroyed.
- 7: Risk of overheating or fire if the clearance distances are compromised!



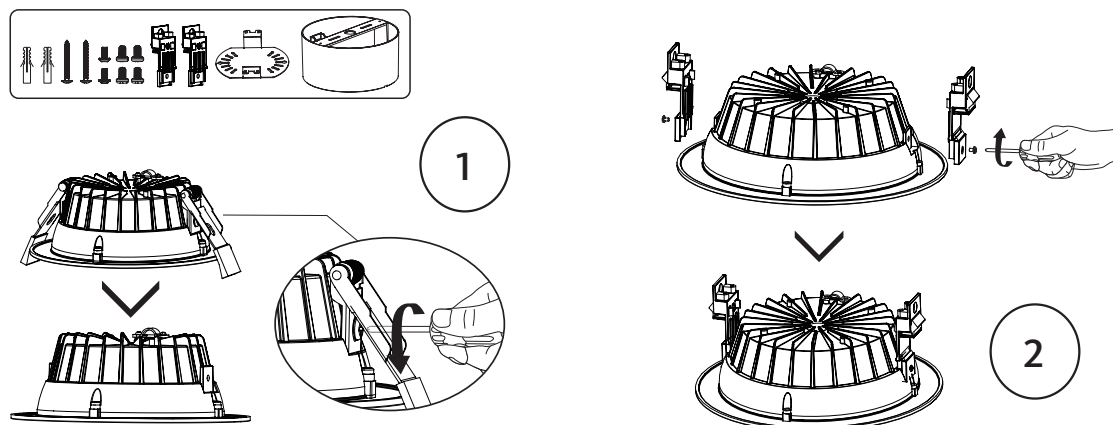
**CAUTION**  
Risk of electric shock

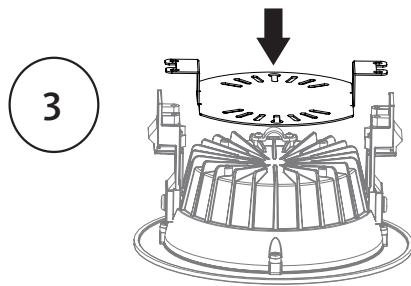
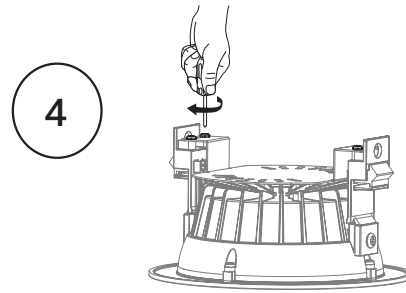
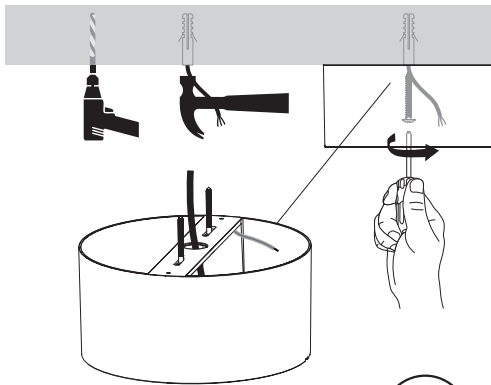
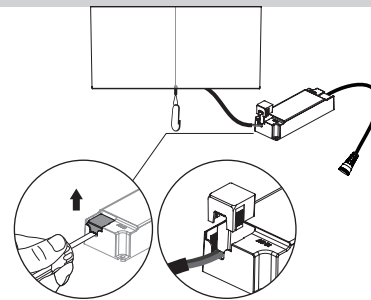


### Downlight with external driver

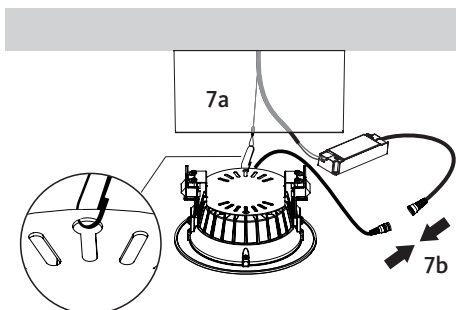
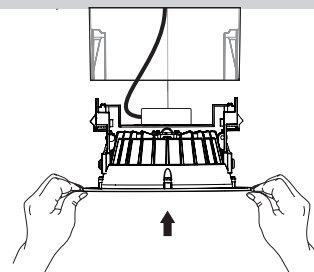


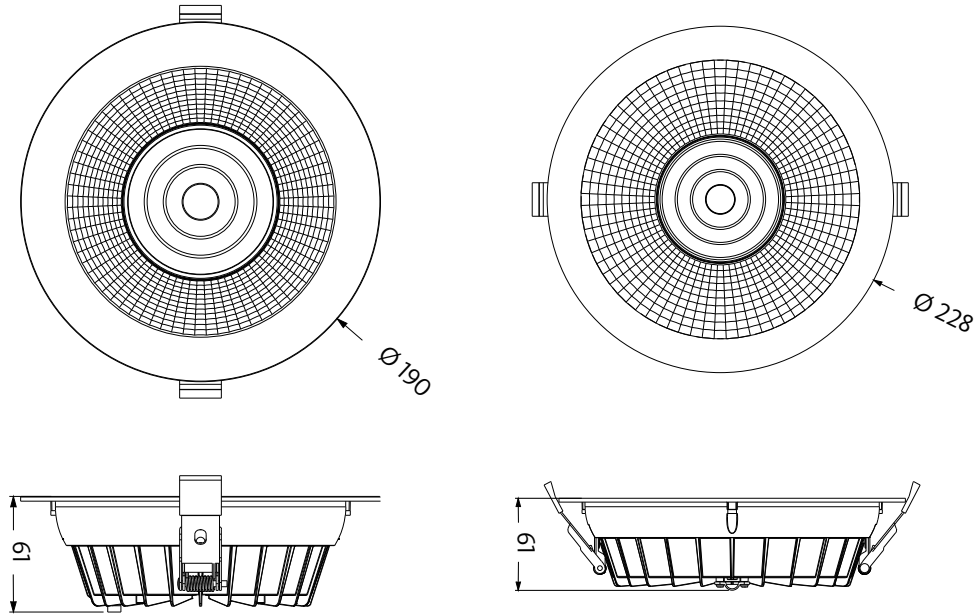
### Screw surface mounted installation



**Screw surface mounted installation**

**3**

**4**

**5**


Number of connecting wires depends on driver-option On/Off or DALI.

**6**

**7**

**8**

**Dimensions**

**Accessories: Surface mounted cylinder**
