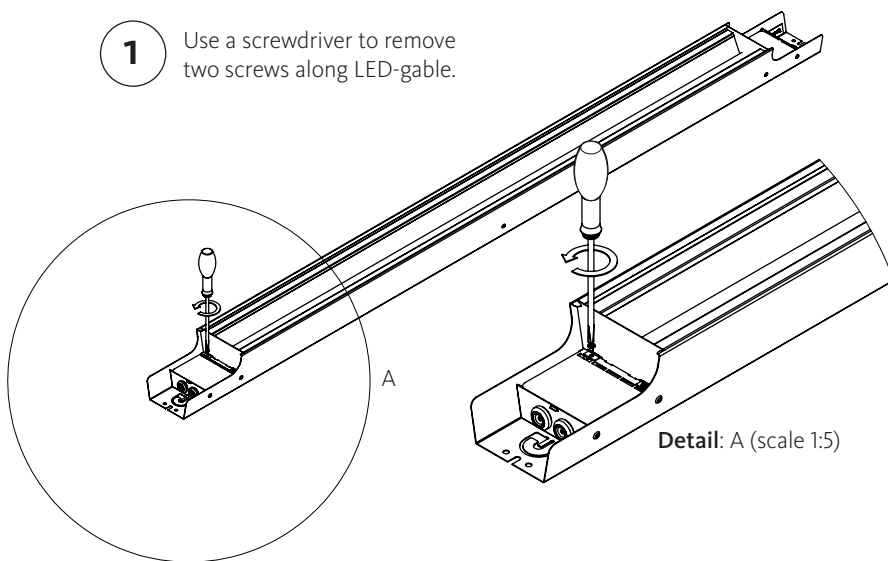


Lamella Louvre Sarek NB

Installation manual

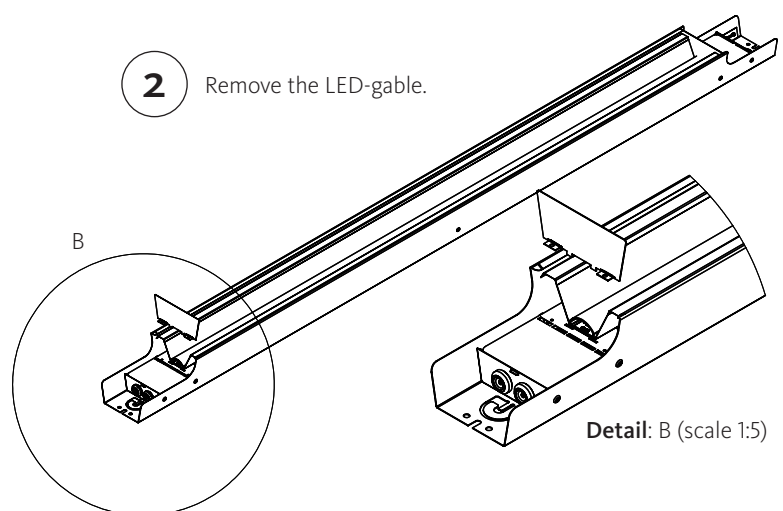
1

Use a screwdriver to remove two screws along LED-gable.

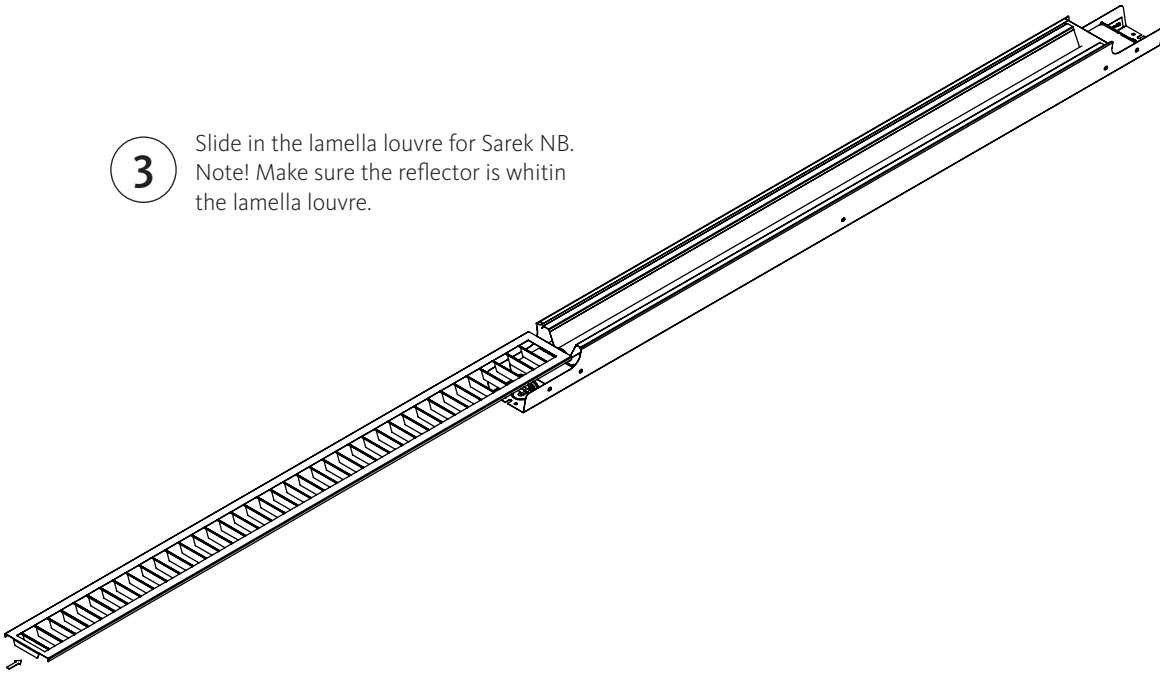


2

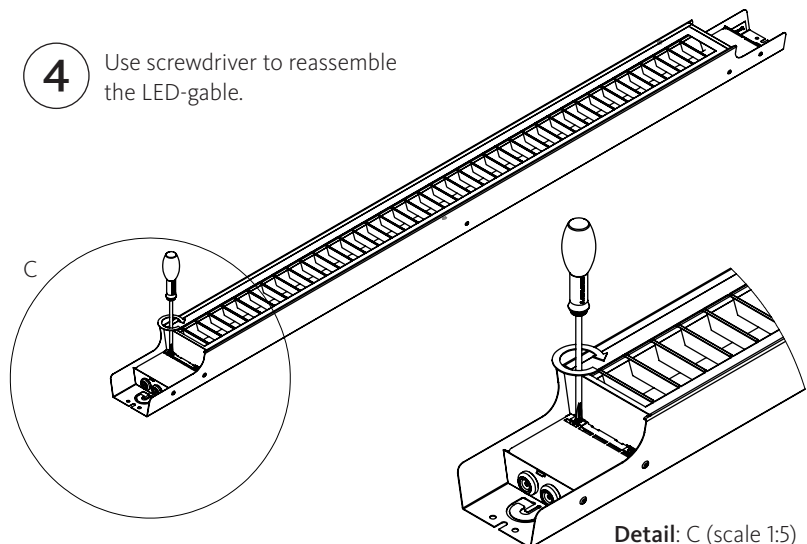
Remove the LED-gable.



- 3** Slide in the lamella louvre for Sarek NB.
Note! Make sure the reflector is within
the lamella louvre.



- 4** Use screwdriver to reassemble
the LED-gable.



Detail: C (scale 1:5)