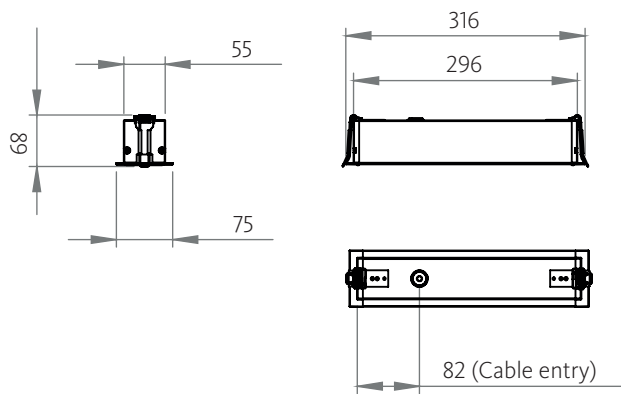


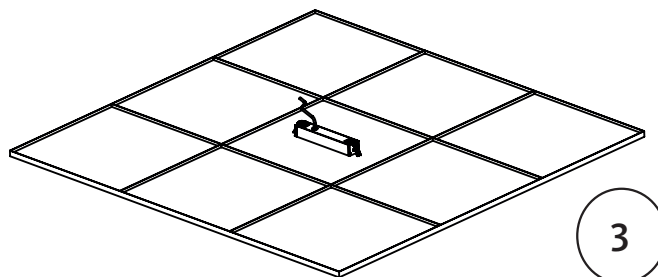
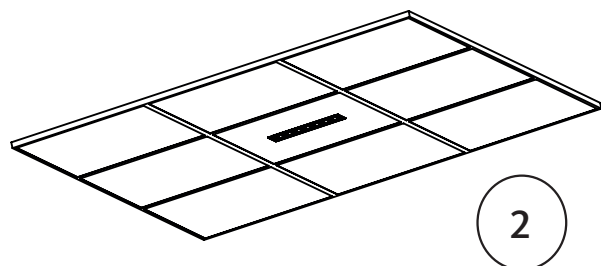
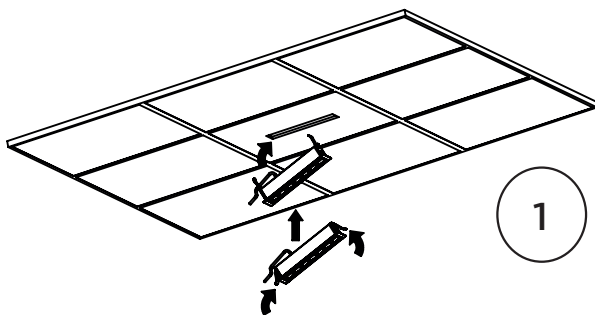
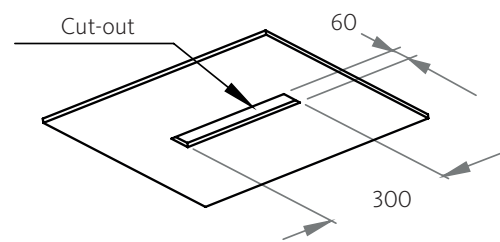
Sevede RE

Installation manual - RE 300

Sevede RE 300

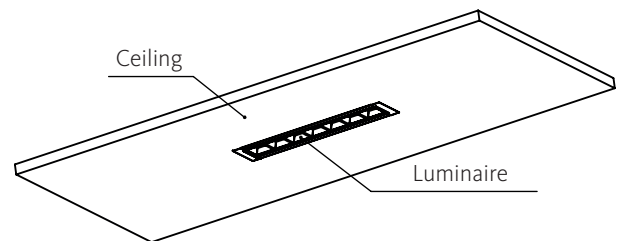
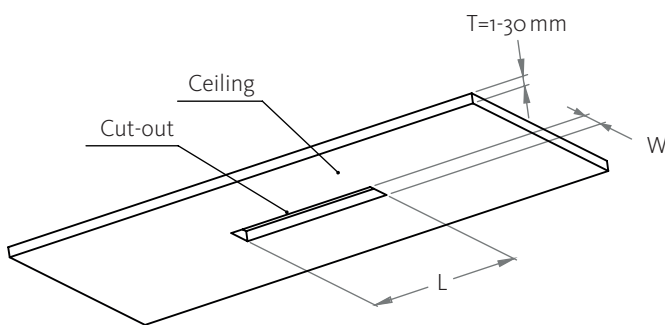


T-bar Ceiling



Plaster Ceiling

Version	Cut-Out LxW (mm)	Thickness=T (mm)
Sevede 300	300x60	min. 1 - max. 30



Note: The light source contained in this luminaire shall only be replaced by the manufacturer or his service agent or a similar qualified person.

Basic insulation between supply- and control-terminals (DALI).

If the external flexible cable or cord of this luminaire is damaged, it shall be exclusively replaced by the manufacturer or his service agent or a similar qualified person in order to avoid a hazard.

