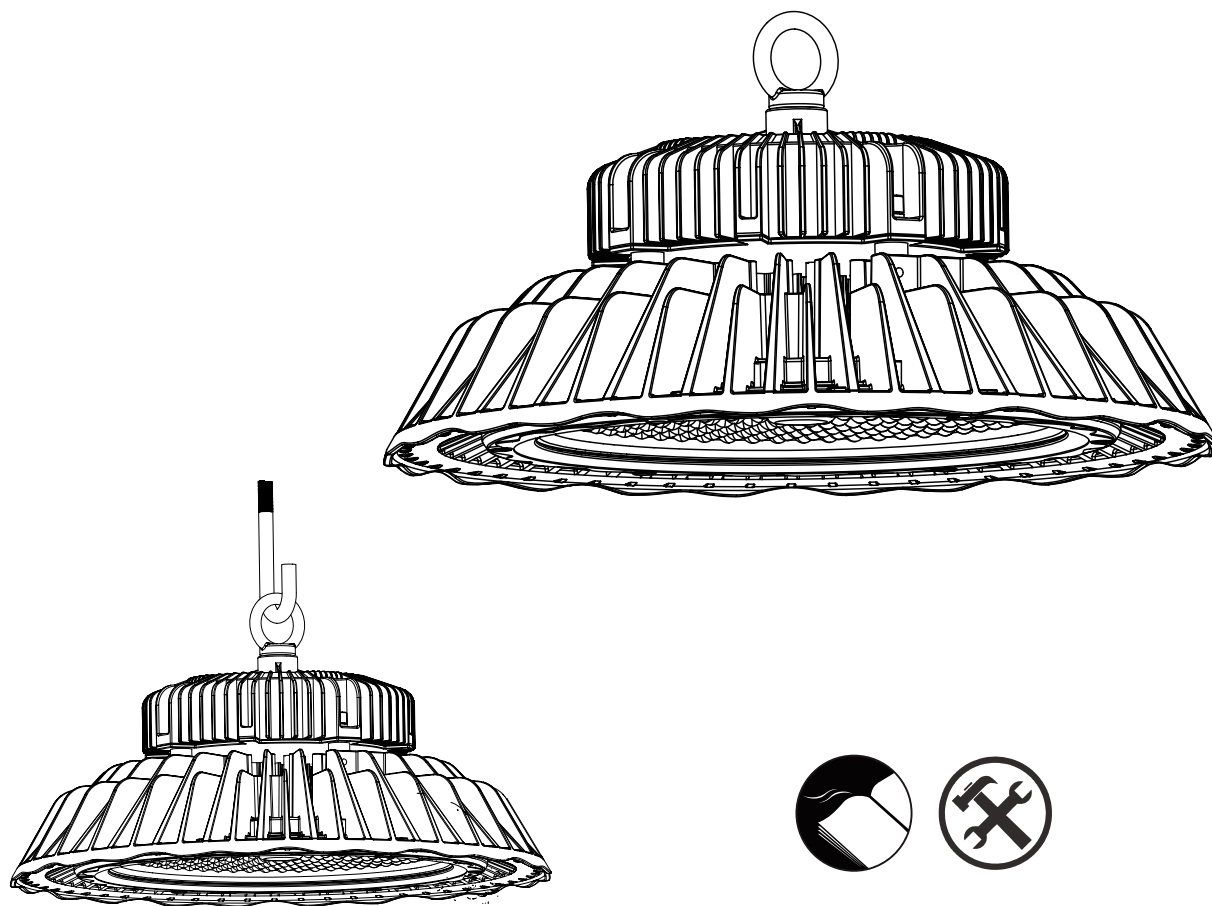


# Aura Certos

Mounting instructions

100W/120W/150W/200W Universal



CE



SAA

CB

IP65

## Reminder

We appreciate your purchase!

Please read the instruction manual before installation and keep it for future reference.

## Warning

1. To avoid damage, falling, electric shock or fire, please do not modify the lamp or replace accessories without confirming with the supplier first.
2. Please authorize only qualified personnel to install the lamp and ensure they follow the instruction manual. Any improper installation might cause falling, electric shock, fire or other injury, damage or hazard.
3. Please disconnect power before installation or any maintenance of the lamp.
4. Please disconnect power if it begins to smoke or emit odors, since fire or electric shock may occur. Ask qualified person to inspect and maintain the luminaire.
5. Please do not dismantle the lamp without the supplier's authorization.
6. Please do not touch the power supply when the lamp is operating.
7. If the external flexible cable or cord of the luminaire is damaged, it should only be replaced by the supplier, a service agent or qualified person.

## Application

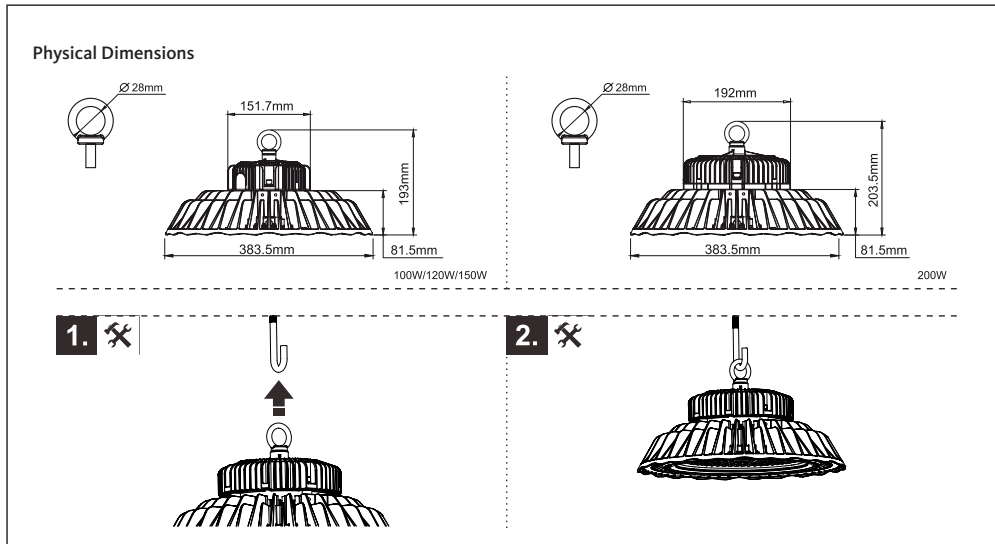
The luminaire is meant for standard use indoor and in outdoor areas which are covered by roofs. With unique high-purity die-cast aluminium heat sink, high-brightness SMD chip, high-efficiency constant current and voltage power driver, the LED high bay is suitable for factories, workshops, warehouses, highway toll stations, gas stations, supermarkets, exhibition halls, stadiums and similar applications.

## Technical Parameters

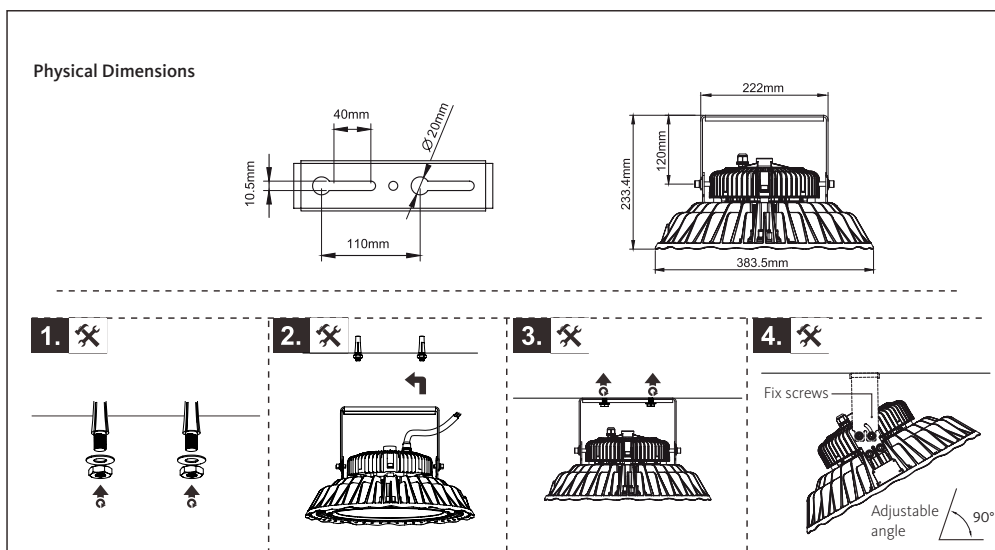
Product Specifications	100W	120W	150W	200W
Input Voltage	AC100~240V/277V			
Power Frequency	50/60Hz			
CRI	≥80			
Beam Angle	120°/90°/50°			
IP Rating	IP65			
Outlook Dimensions	383x193x383 mm			383x203.5x383 mm
Luminaire Net Weight	6.8 kg			7.6kg
System Efficacy	>112 lm/W (CCT=4000K)			
Power Factor	>0.93			
Lifespan	≥50 000 Hrs (L70 @35°C)			
Working Temperature	-30~+40°C			
Working Humidity	15%~90%RH			
Storing Temperature	-40~+65°C			

# Installation Instructions

## A. Loop hanging installation



## B. Adjustable surface mount installation



## Wiring Diagram



## Troubleshooting

Problem	Possible Cause	Solutions
LEDs stop working	The power line is improperly connected	Reconnect the power cable
	The power plug is loose	Firmly plug the power in
	The LED driver malfunctions	Replace with new driver
	The LED chip is damaged	Replace with new LEDs
LEDs flash on and off	The output of the driver is abnormal	Replace with new driver
	The LED chip breaks down	Replace with new LED chip

## Guarantee

Aura Light offers a five (5) year system guarantee for the Certos luminaire.

For terms and conditions see our web page:

[www.auralight.com/downloads/guarantees/](http://www.auralight.com/downloads/guarantees/)