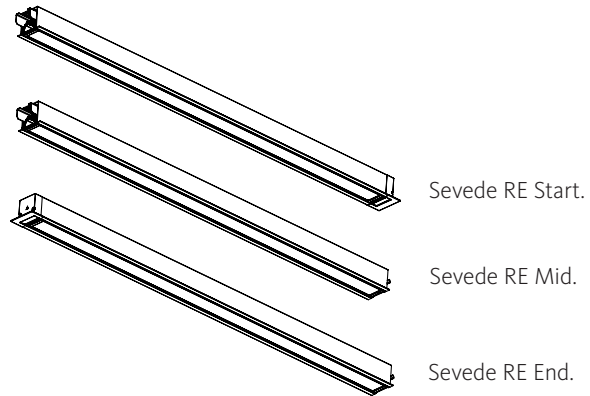
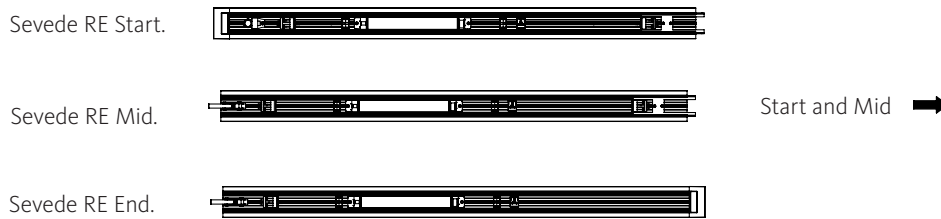


Sevede RE RAMP

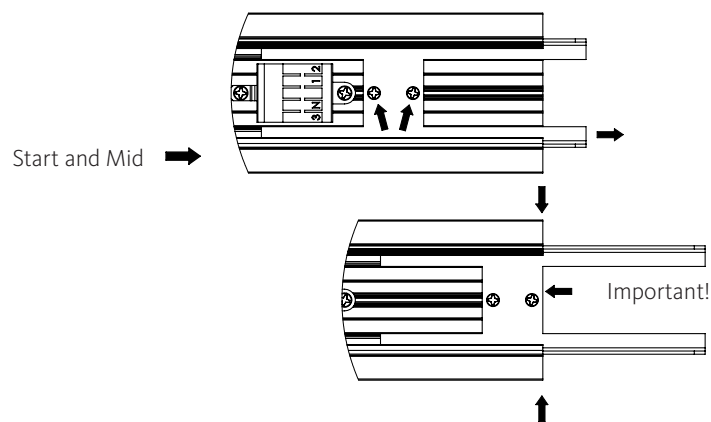
Installation manual



1: Prepare luminaires.



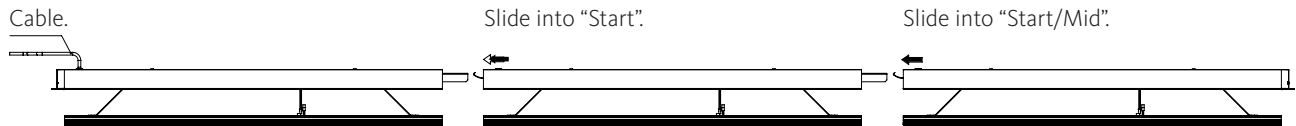
2: Move joint bracket to exact position.
Secure with screws.



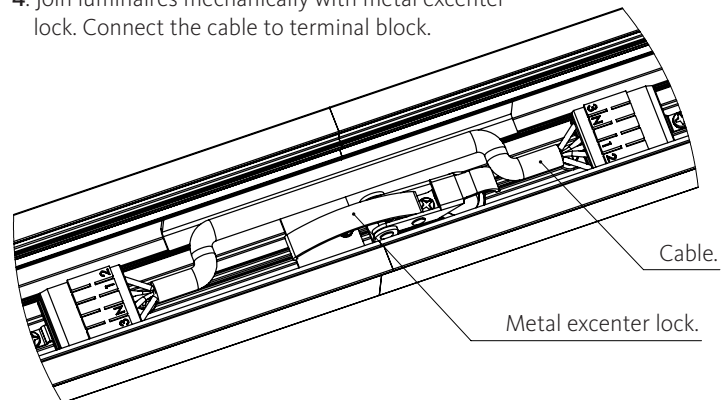
3 a: Mount "Sevede RE Start" according to the manual for standard Sevede RE.

3 b: Mount "Sevede RE Mid" or "Sevede RE End".

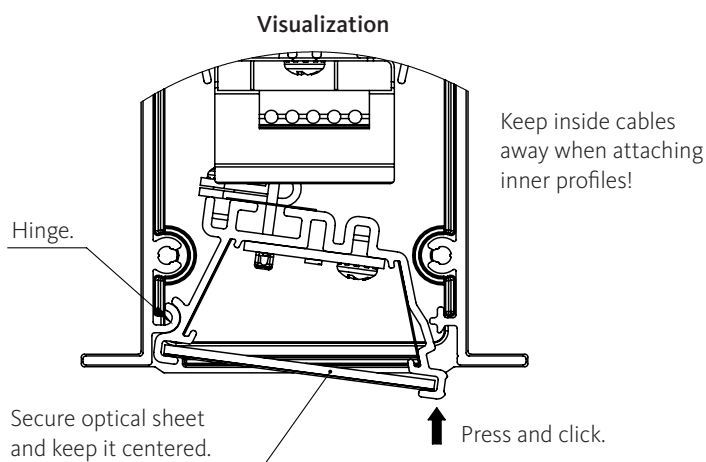
3 c: Mount "Sevede RE End".



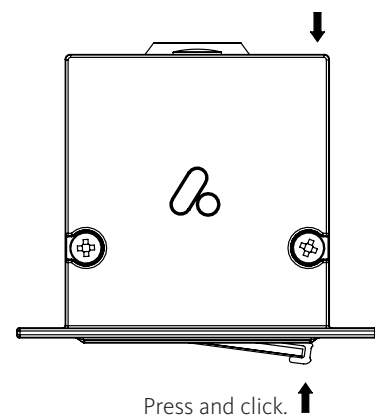
4: Join luminaires mechanically with metal excenter lock. Connect the cable to terminal block.



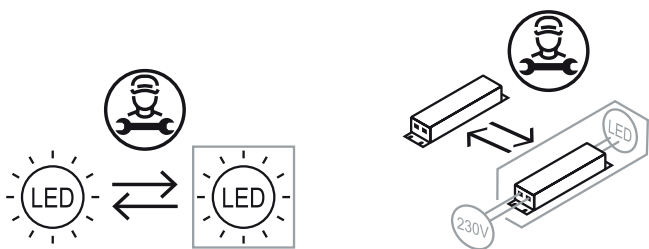
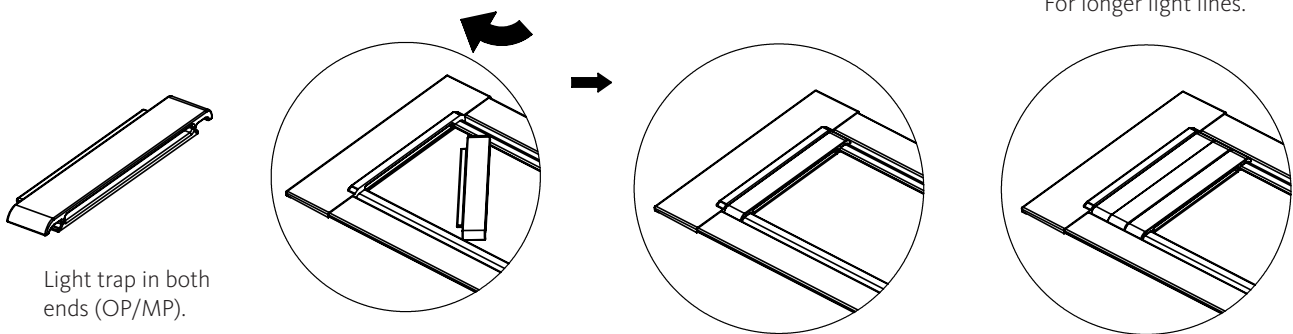
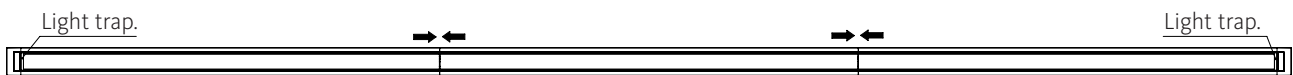
5 a: Cross section visualization. Attach inner profiles.



5 b: Keep inside cables away when mounting inner profile!



6: After installation; move optics to centre, without any light gaps. Place "light traps" at each end. Applicable for opal and microprismatic versions.



Note: The light source contained in this luminaire shall only be replaced by the manufacturer or his service agent or a similar qualified person.

Basic insulation between supply- and control-terminals (DALI).

If the external flexible cable or cord of this luminaire is damaged, it shall be exclusively replaced by the manufacturer or his service agent or a similar qualified person in order to avoid a hazard.

