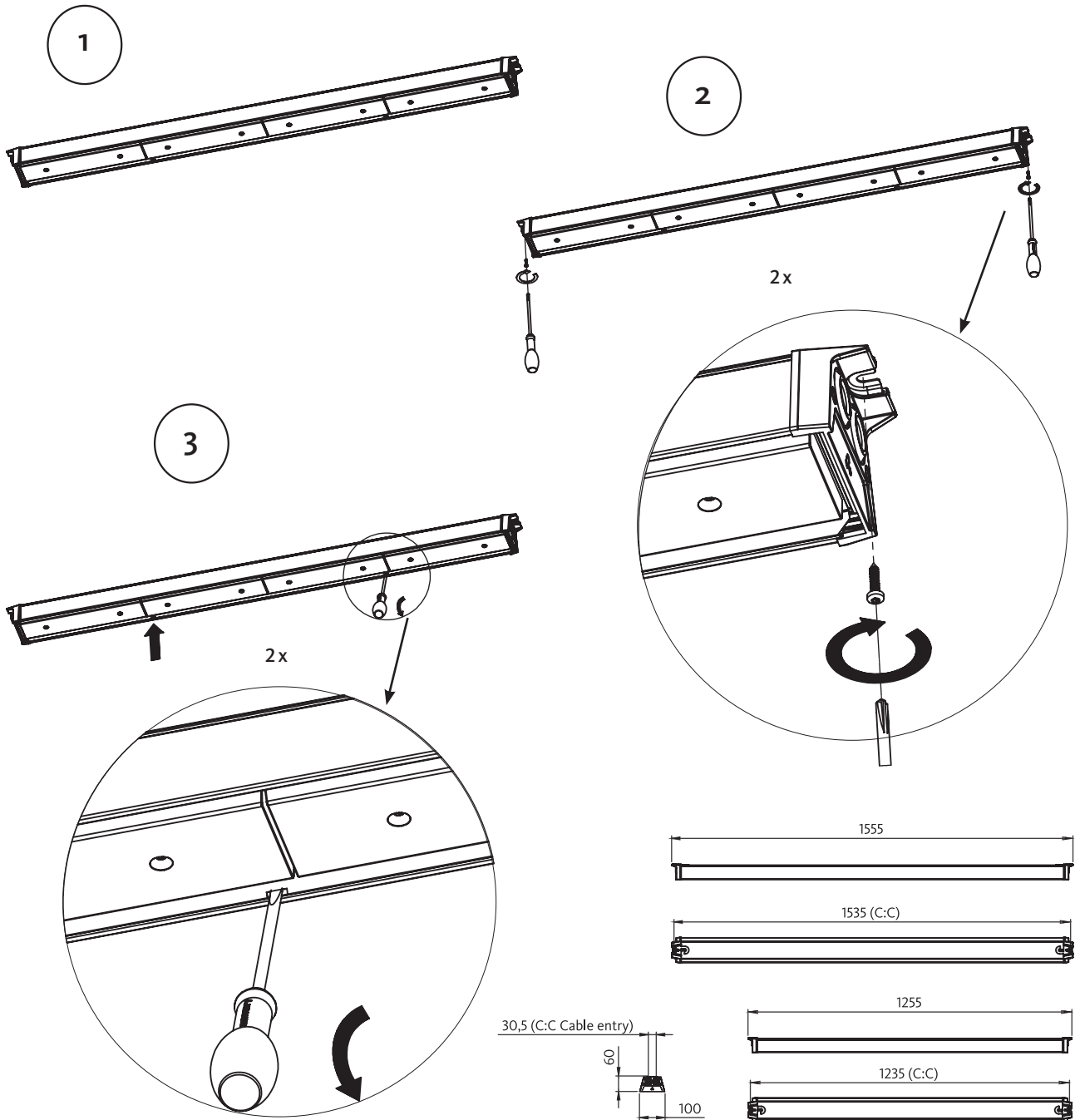
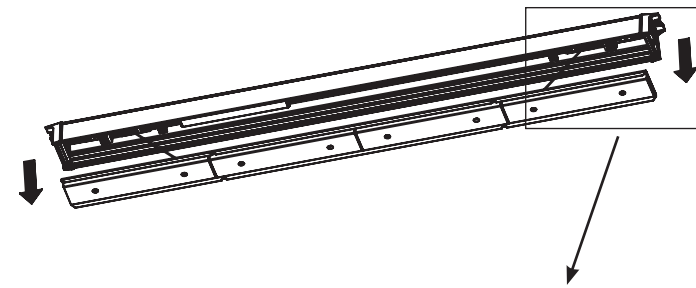


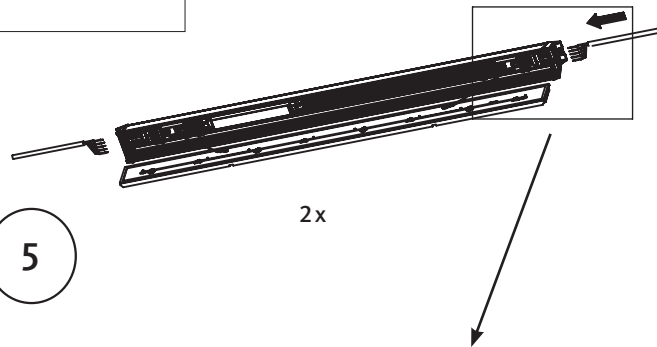
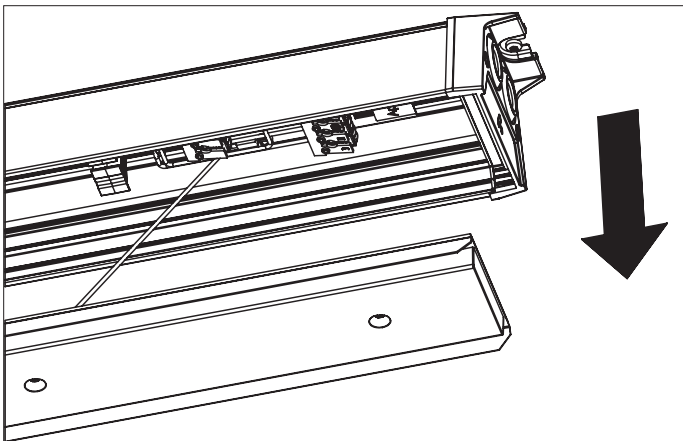
Helags

Installation manual – ceiling



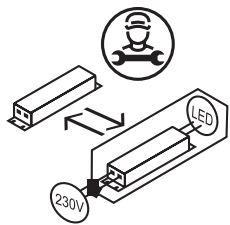


4

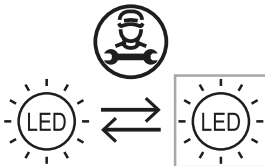


5

2x

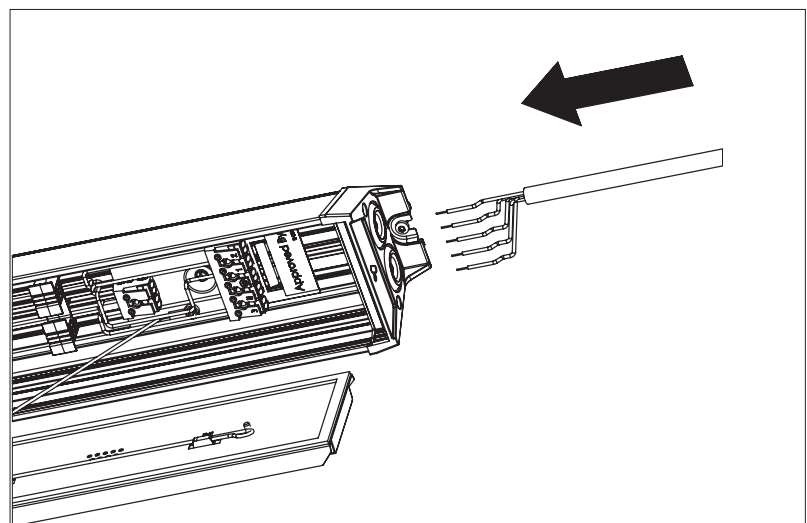


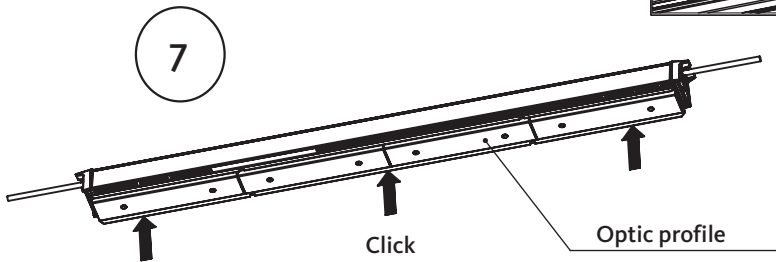
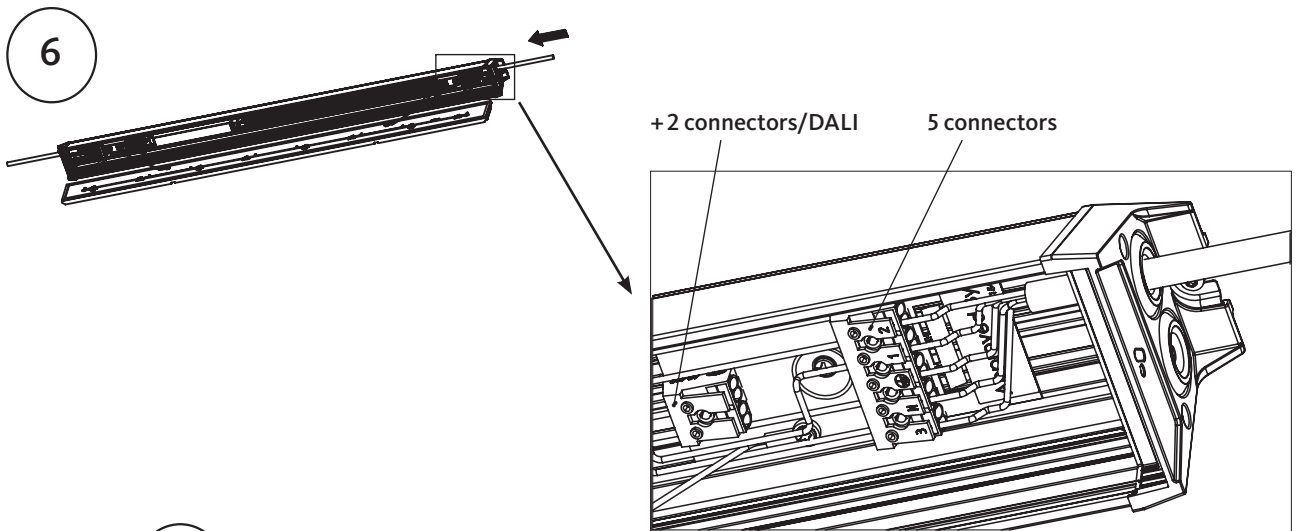
Replaceable control gear by a professional.



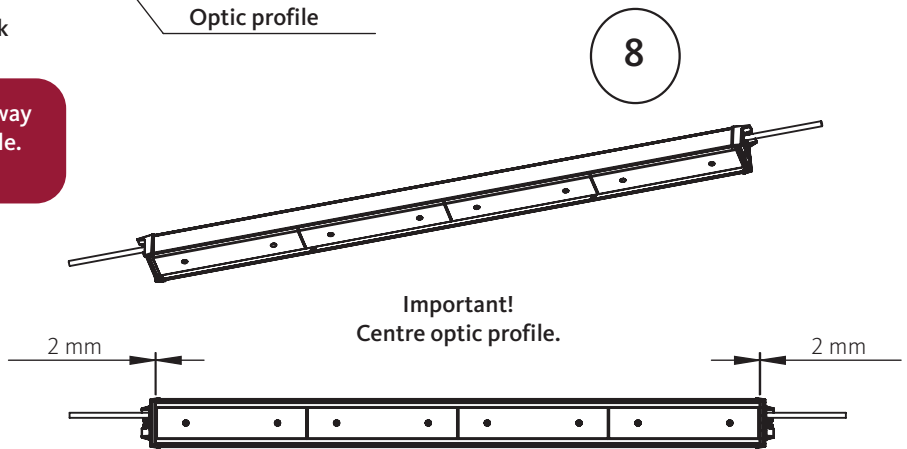
Replaceable LED light source by a professional or manufacturer.

DALI: Basic insulation between supply- and control-terminals.





NOTE! Keep inside cables away when mounting optic profile.
Risk of electric shock!



Catenary wire

