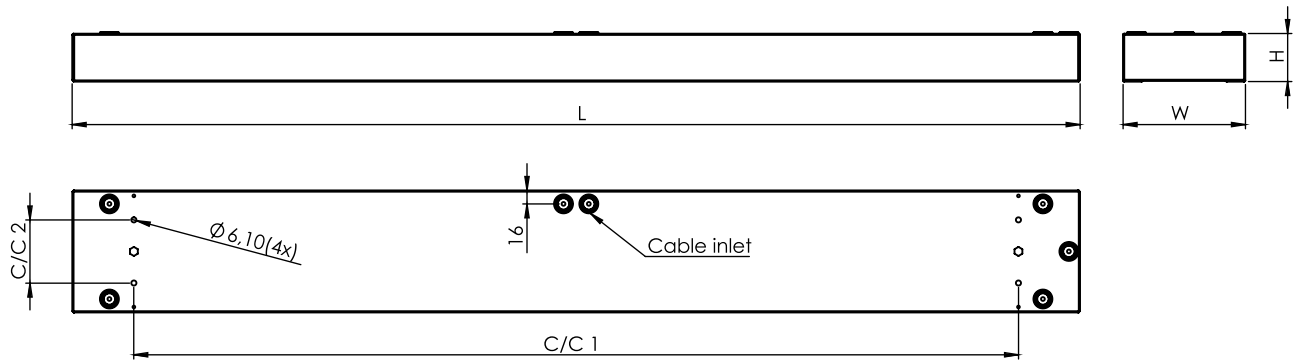
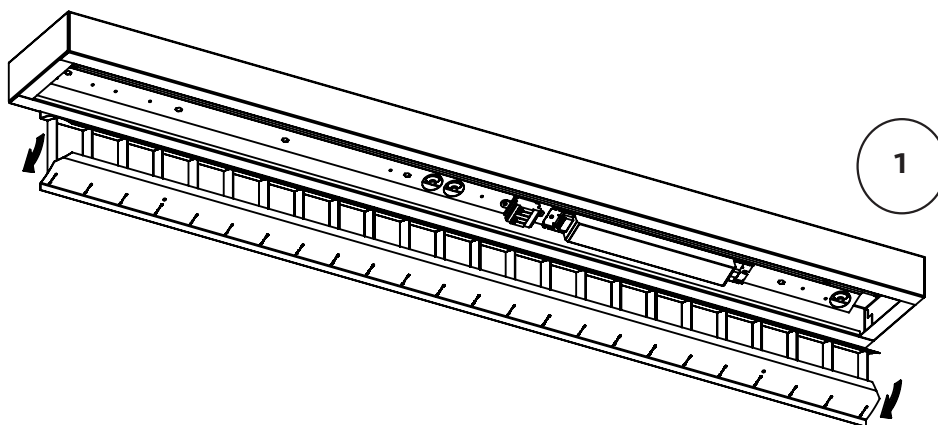


Part Z CE

Installation manual



DIMENSIONS	TYPE	L (mm)	W (mm)	H (mm)	C/C-1 (mm)	C/C-2 (mm)
	Part Z CE 3000	1195	145	57	1050	75
	Part Z CE 5000					
	Part Z CE 4200	1495	145	57	1350	75
Part Z CE 6700						



Part Z CE

Installation manual

