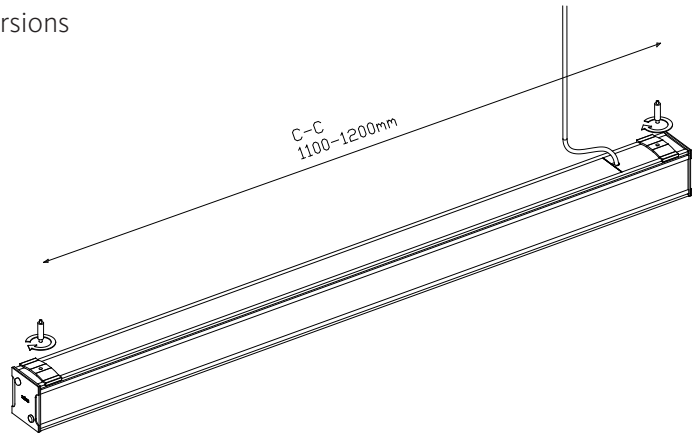


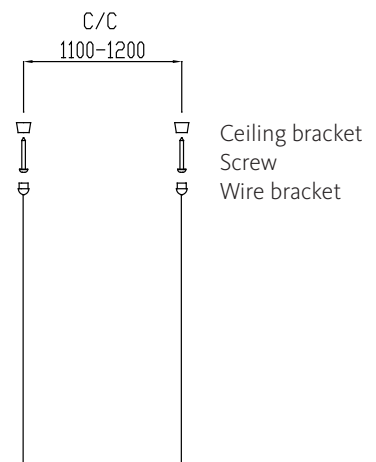
# Lezzon/Exzite

Installation manual – regular and tunable white versions

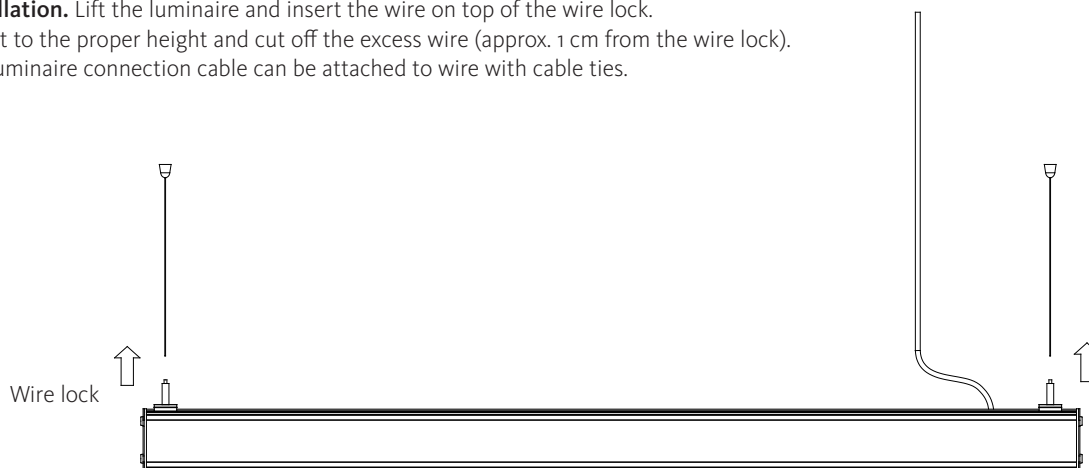
**Mounting wire lock.** Screw the wire locks to the two shackles at the luminaire ends.



**Installation of ceiling mounts for wire.** Attach the ceiling brackets with screws designed for the current ceiling. C/C 1100-1200 mm. tScrew the wire brackets in the ceiling brackets.



**Installation.** Lift the luminaire and insert the wire on top of the wire lock. Adjust to the proper height and cut off the excess wire (approx. 1 cm from the wire lock). The luminaire connection cable can be attached to wire with cable ties.



# Lezzon/Exzite

Installation manual – whiteboard version

**Installation of whiteboard version.** The luminaire should be placed as shown dimensions. X is dimension between the floor and the upper edge of whiteboard.

