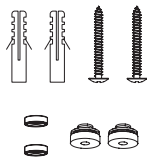
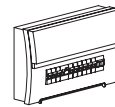
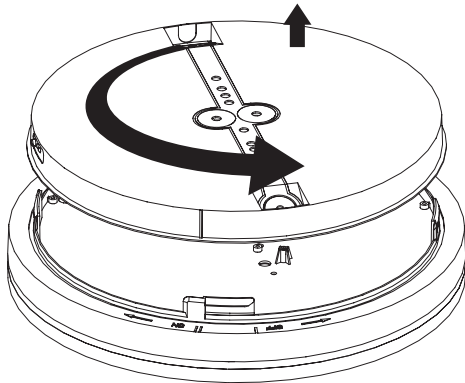


Collina

Installation manual – surface mounted



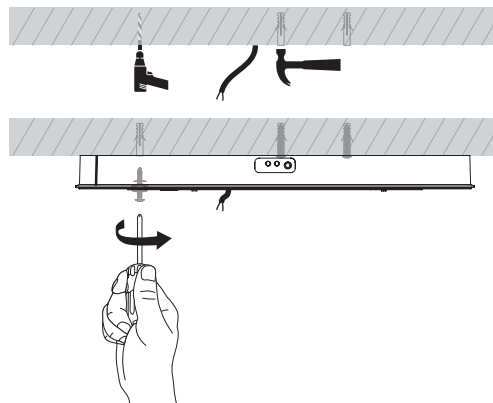
1



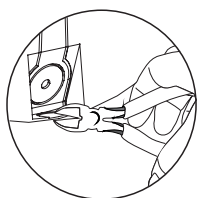
Turn off
Power Supply

- 1: Switch off before installation.
- 2: Switch on only after complete installation and examination of the circuit.
- 3: Professional electrician for installation and maintenance only.

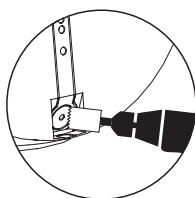
2



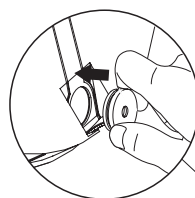
3



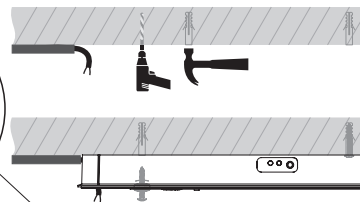
3a



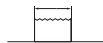
3b



3c



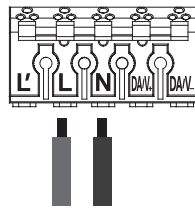
20 mm ± 1mm



Surface mounted open
wire installation

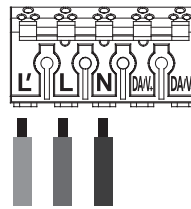
3

On/off version
Sensor on/off version



L= NC
L= Unswitched
N= Neutral
DA/V + = NC*
DA/V - =NC*

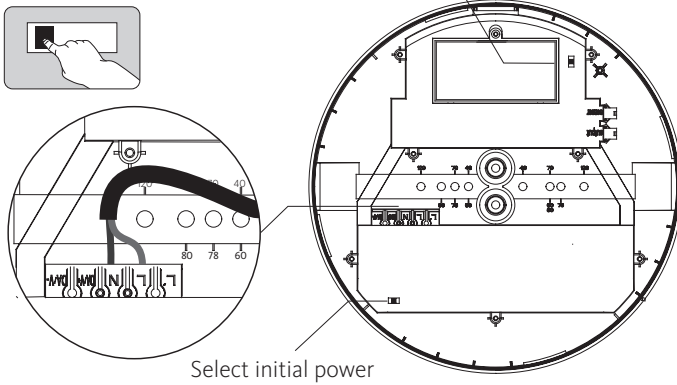
Sensor emergency version



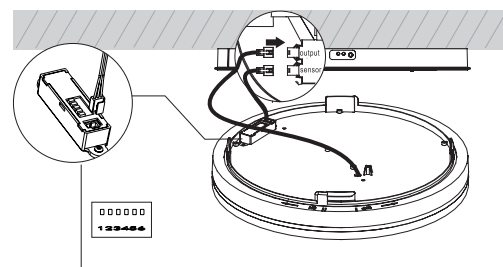
L'= Switched
L= Unswitched
N= Neutral
DA/V + = NC*
DA/V - =NC*

*NC = Not Connected.

Select preferred colour temperature for product in CCT change function only.

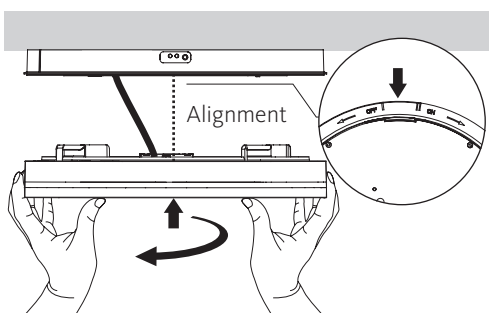


4



For adjustable sensor model, please select the sensor mode before mounting to ceiling or wall. See below picture!

5



6

Caution, risk of electric shock! 



Complete.

The light source contained in this luminaire shall only be replaced by the manufacturer or his service agent, or a similar qualified person.

Function instructions – for specific function, please refer to actual model.



Sensor

Detection area: 140degree wide detective beam angle with 4-6 meter distance.



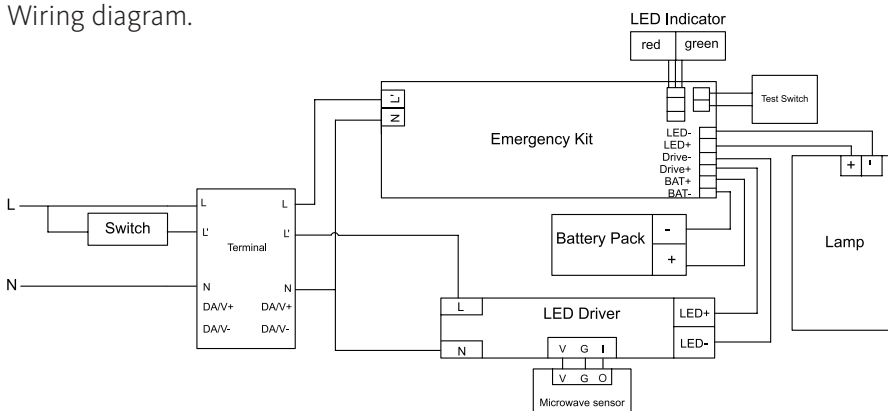
Emergency

Emergency function switches automatically between power cut and power restoration.

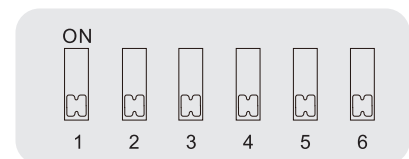
- Li battery, high efficien.
- Battery duration: 3 h.
- Charge period: 24 h.

SENSOR DATASHEET – SENSOR & SENSOR EM VERSION	
Operating voltage	DC7-12V
Power consumption	0,5W ±0,2W
Microwave frequency	5,8 GHz ± 75MHz, ISM wave band
Transmission power	<0,5mW
Detection angle	140°
Detection area	4-6M
Hold time	5s/60s/3min/10min
Daylight sensor	30lux/disable
Stand-by DIM level	0%/20%
Stand-by period	15min/∞
Dimming range	-
Microwave on/off function	-
Recommended installation height	Wall mounted: 1,8m. Ceiling mounted: 3m.
Operating temperature (°C)	-20 °C ~ 60 °C

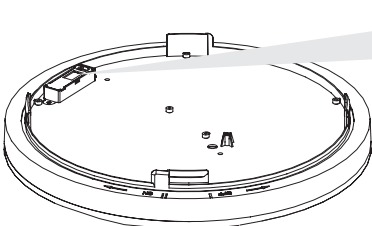
Wiring diagram.



Factory settings.



Daylight & microwave sensor.



DIP	1	2	3	4	5	6
ON	100%	-	5S	-	0%	-
ON	50%	ON	60S	ON	20%	ON
ON	-	ON	3min	-	-	-
ON	ON	ON	10min	-	-	-

Sensor settings.

DETECTION AREA	
1	
-	100%
On	0%

HOLD TIME		
2	3	-
-	-	5s
-	On	60s
On	-	3min
On	On	10min

DAYLIGHT SENSOR	
4	-
-	disable
On	30lux

STAND-BY DIM LEVEL	
5	
-	0%
On	20%

DETECTION AREA	
6	
-	∞
On	15min

Detection area

Detection area can be reduced by selecting the combination on DIP switches to fit precisely each application.

Notice 1: the test is based on a height of 3m, the radius is the ground detect distance, which can be selected through the slide switch.

Notice 2: the detective range is measured by human body whose stature is around 1,6-1,7m with medium size and traveling speed is around 1,0-1,5m per second. If the stature, bodily form and traveling speed are changed, then the detective range will be changed accordingly.

Notice 3: test result will be highly influenced by test environment, the more open environment, the closer detect distance; the narrower environment, the longer detect distance. The detector may do self-excitation in a narrow environment.

Hold time

Refers to the time period the lamp remains at 100% illumination after no motion detected.

Notice 1: the hold time can be selected by the slide switch. The hold time counting should be started after the sensor is powered on and initialized.

Daylight sensor

The sensor can be set to only allow the lamp to illuminate below a defined ambient threshold. when set to disable mode, the daylight sensor will switch on the lamp when motion is detected regardless of ambient light level.

Notice 1: the light threshold can be selected through the slide switch, it may cause a large deviation in different lamps.

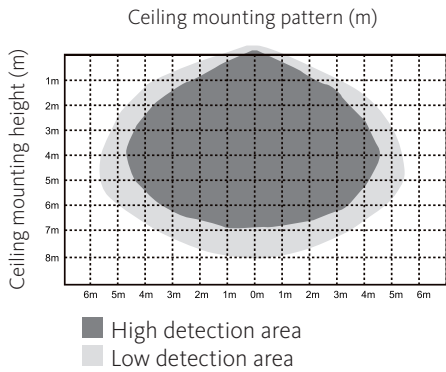
Stand-by dimming level

This is the dimming low light output level you would like to have after the hold-time in the absence of people.

Stand-by period

This is the time period you would like to keep at the low light output level before it is completely.

Induction range.



Instructions for automatic test option

1. Once the unit is powered up it will automatically initiate a self test and diagnostics as follow:

- Every 4 seconds: check for battery disconnection, charger board fault, lamp failure and transport failure.
- Every month: perform a 3 minute duration test.
- Every year: perform a 1 hour- or 3 hours duration test.

All test functions are factory preset and do not need field adjustment.

2. Dual colour indicator LED status meanings:

- Green - Solid On, Ready/Normal operation.
- Red - Requires service.

•	One flash, 4 second pause	Battery not connected
••	Two flash, 4 second pause	Low battery voltage
•••	Three flash, 4 second pause	Charger board fault
••••	Four flash, 4 second pause	Transformer fault
•••••	Five flash, 4 second pause	LED lamp fault

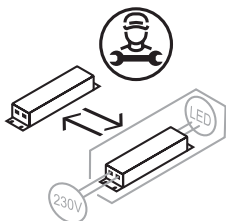
Note: after repairing a service fault, press and hold the test button for 2 seconds to reset the flashing indicator light to green.

3. Manual test:

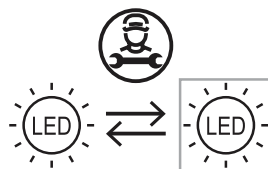
Press test button once	30 second duration test
Press test button twice within 2 seconds	3 minutes duration test
Press test button 3 times within 2 seconds	30 minutes duration test
Press test button 4 times within 2 seconds	1 or 3 hours duration test

To ensure correct function and safety, please read and follow all instructions carefully before using the product.

- 1: Turn off power supply before installation or before doing any maintenance work.
- 2: Do not install any luminaire near the heat source.
- 3: IP grade please refer to product label, only IP54 can be used in damp location.
- 4: Do not exceed the nominal supply voltage or amperage ratings.
- 5: Dimmable version could be compatible with a wide range of recommended TRIAC dimmers.
- 6: All wiring and installation of the light fitting must adhere to local and national wiring rules.
- 7: Take care not to pull any electrical wires during unpacking as this may damage the connection.
- 8: Lay out all the components on a smooth surface and make sure there are no components missing before assembling.
- 9: To avoid injury or damage to the fitting, please ensure that power leads and screws are secure before connecting the power.
- 10: Please keep instructions for future reference.
- 11: For non-user replaceable light source: the light source contained in this luminaire shall only be replaced by the manufacturer or his service agent or a similar qualified person.
- 12: The battery in this luminaire shall only be replaced by the manufacturer or his service agent or a similar qualified person.
- 13: To achieve the best using effect, the battery should be charged and discharged every six months (for emergency products only).



**Replaceable control gear
by a professional.**



**Replaceable LED light
source by a professional
or manufacturer.**

DALI: Basic insulation between supply- and control-terminals.