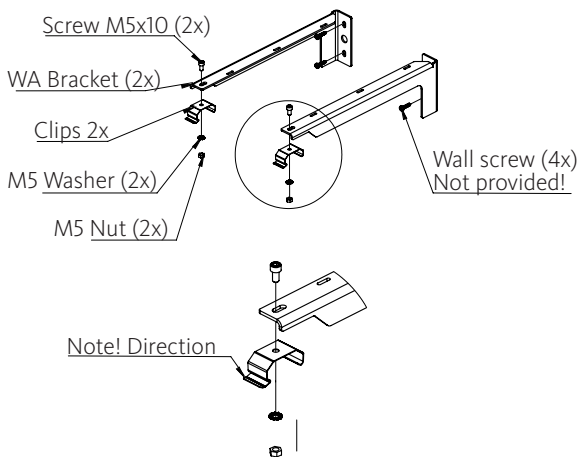


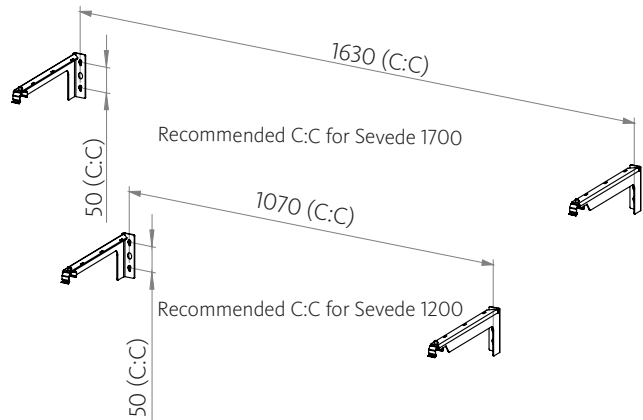
# Sevede WA

## Installation manual

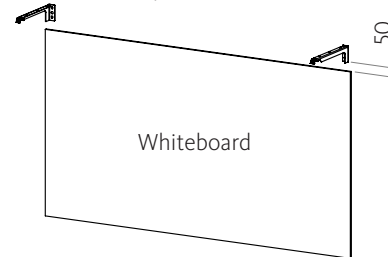
### 1: Luminaire wall brackets



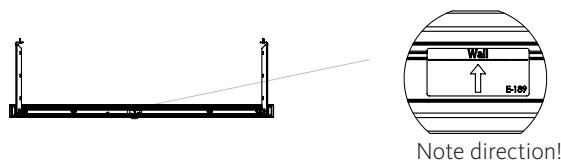
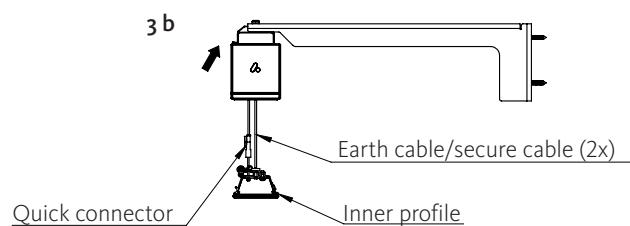
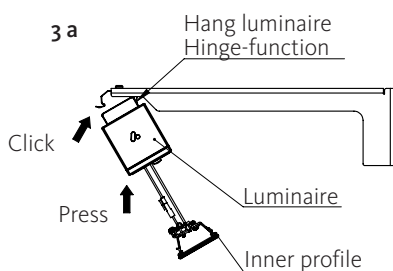
### 2: Mount luminaire wall brackets



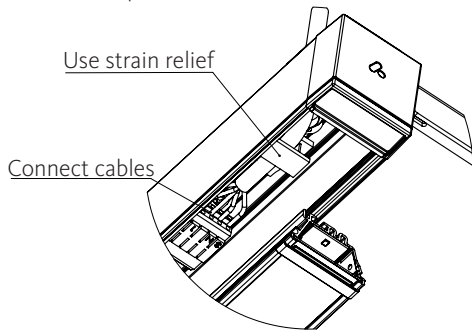
### Important



### 3: Mount luminaire

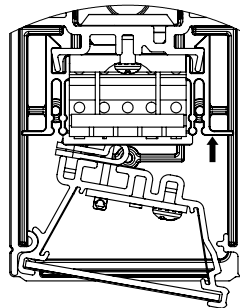


**4: Cable installation**  
Both ends possible



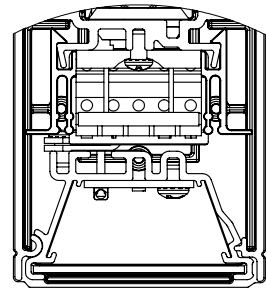
**5: Mount inner profile**  
Cross section visualization  
KEEP INSIDE CABLES AWAY when mounting inner profile!

5 a



Press ↑

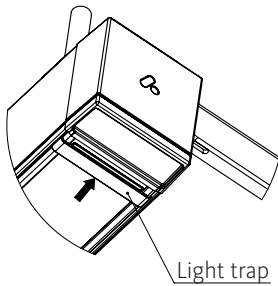
5 b



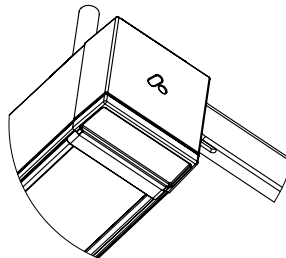
Click ↑

**6: Move Light trap, both ends**

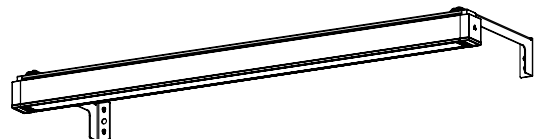
6 a



6 b



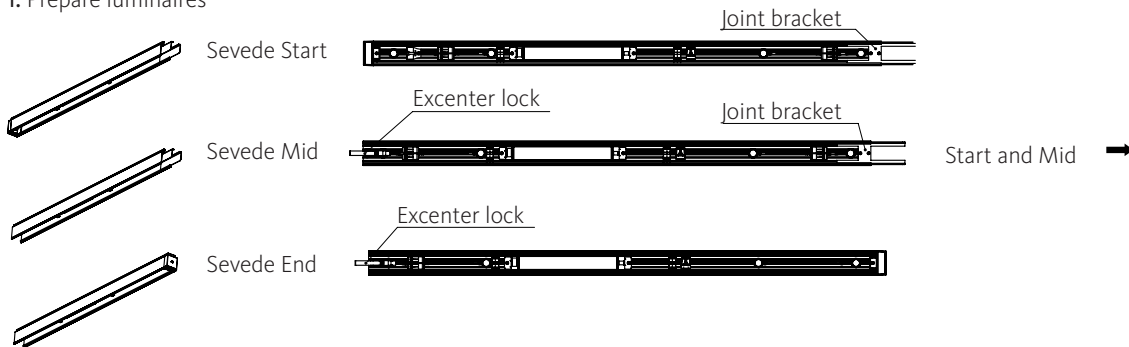
7.



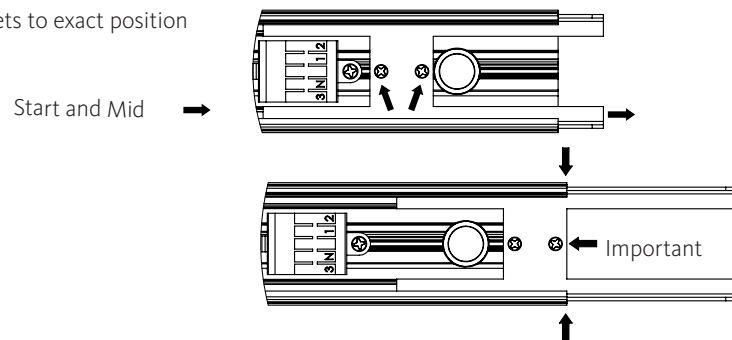
# Sevede WA RAMP

## Installation manual

### 1: Prepare luminaires



### 2: Move joint brackets to exact position

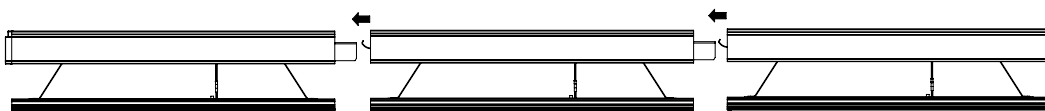


### 3: Join row-mounted luminaires

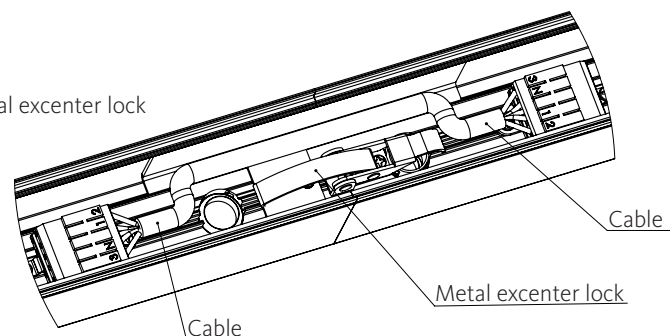
#### 3 a: Sevede start

#### 3 b: Sevede Mid/End - Slide into Start

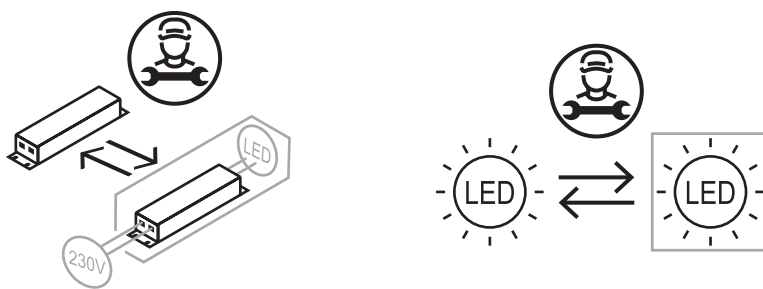
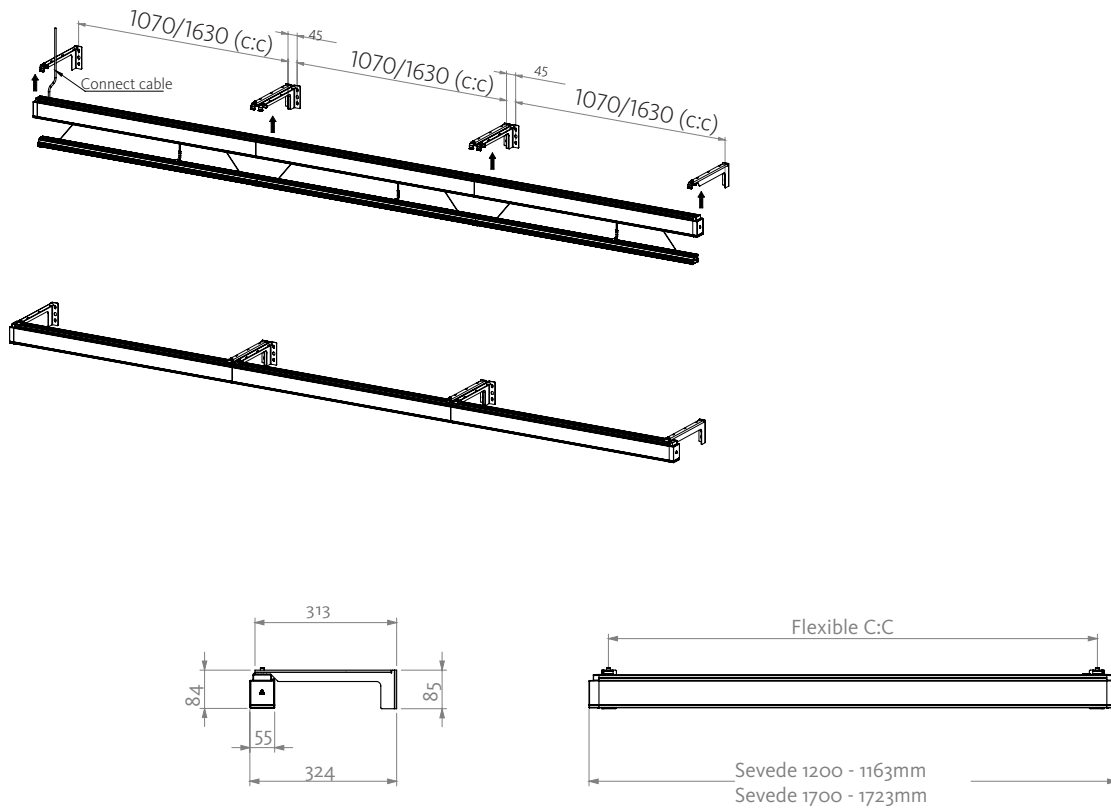
#### 3 c: Sevede End - Slide into Start/Mid



### 4: Join luminaires mechanically with metal excenter lock Connect cable to terminal block



5: Click into wall brackets (See number 1-7 on page 1-2)



**Note:** The light source contained in this luminaire shall only be replaced by the manufacturer or his service agent or a similar qualified person.

Basic insulation between supply- and control-terminals (DALI).

If the external flexible cable or cord of this luminaire is damaged, it shall be exclusively replaced by the manufacturer or his service agent or a similar qualified person in order to avoid a hazard.

