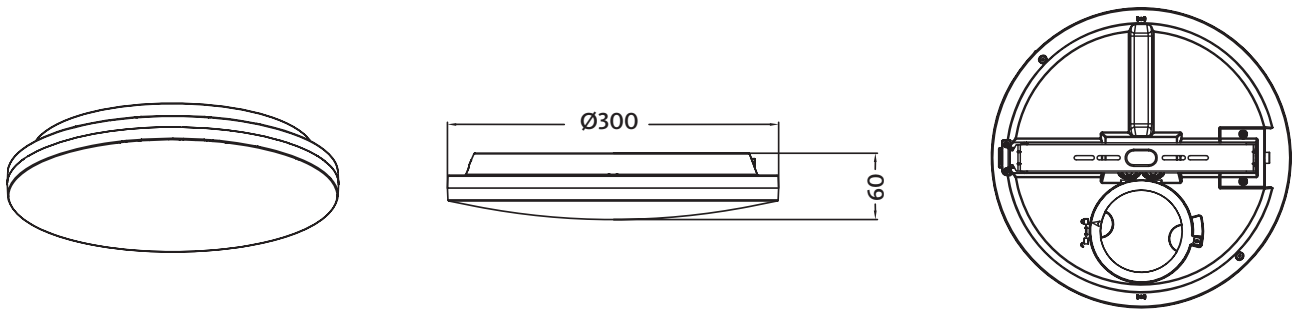
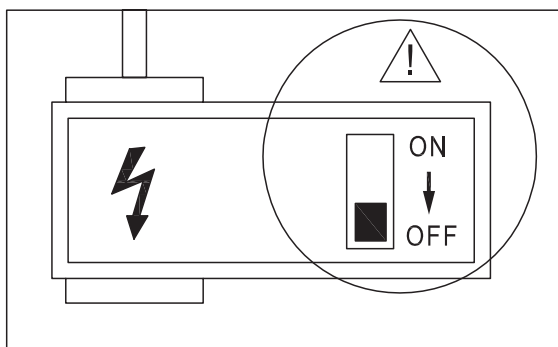


Annero

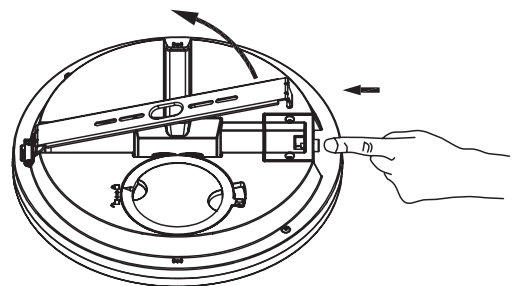
Installation manual – on/off 465325 & 465326



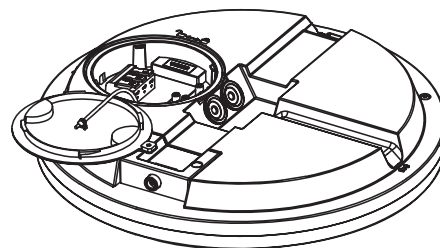
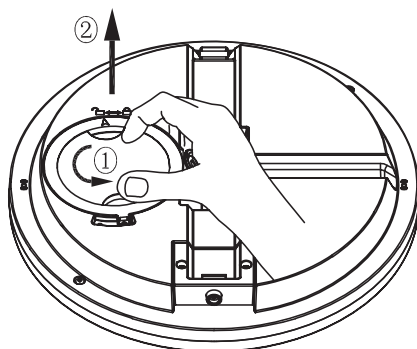
- 1** Make sure main power is turned off.



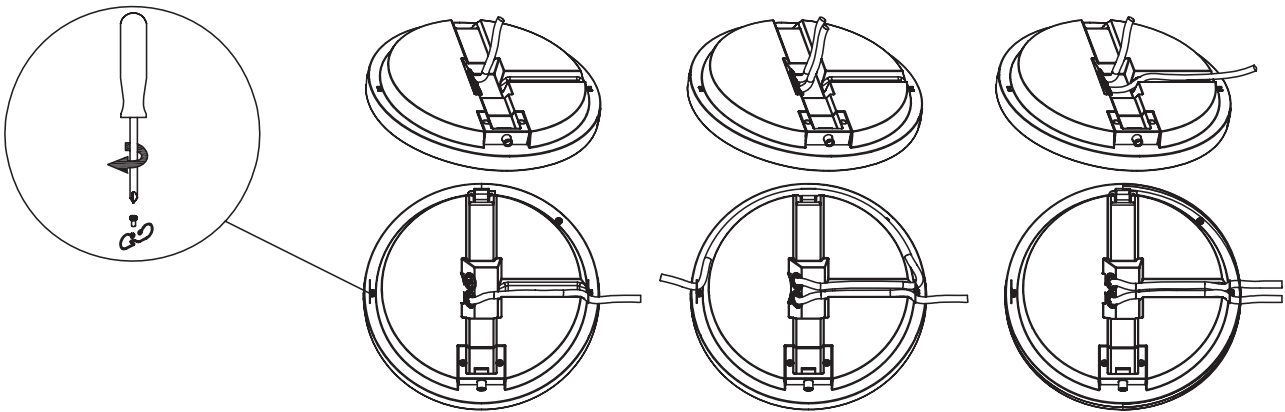
- 2** Remove the bracket.



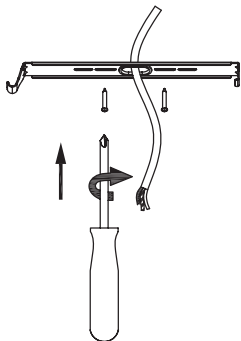
- 3** Twist the power cover of the anticlockwise and pull to remove it.



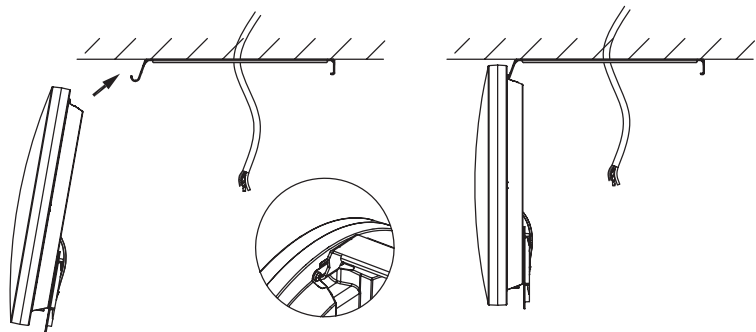
4 Several and flexible placement of AC cable entry.



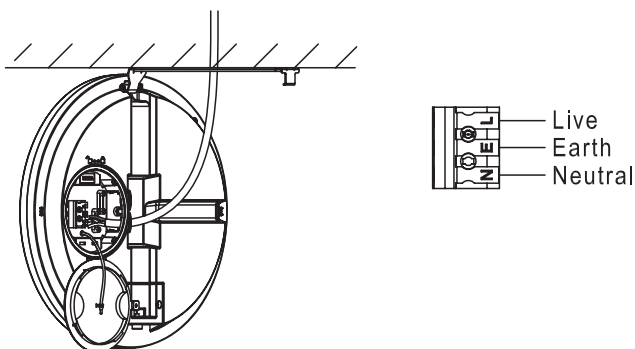
5 Secure the bracket to the ceiling.



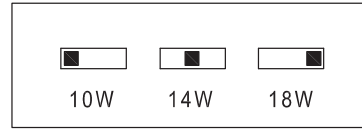
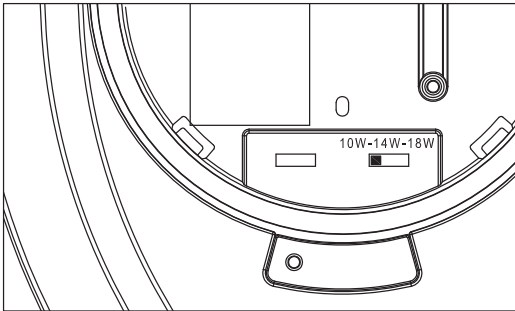
6 Hang the fixture on the bracket.



7 Connect the AC mains switched live, permanent live and neutral to the terminal block.

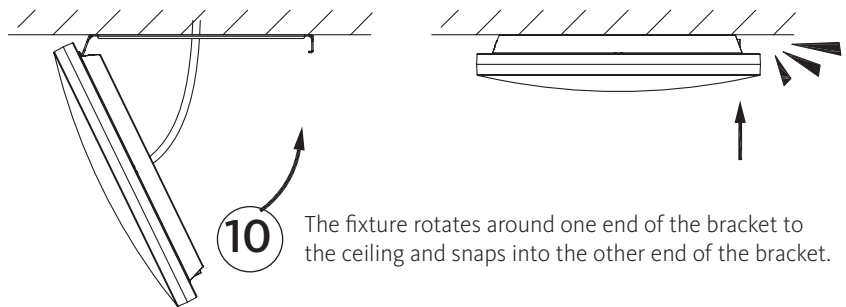
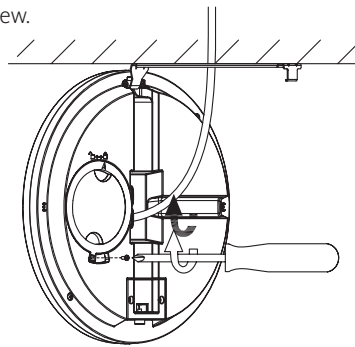
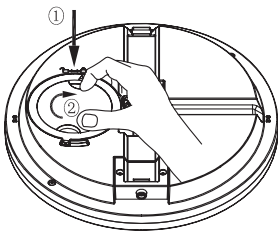


8 Wattage Selection: Slide the switch to the selected wattage. The sequence is as below.



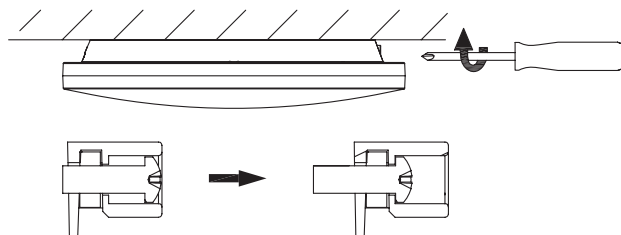
Variant	Power (W)	Lumen output (lm)		Lumen efficacy (lm/W)		
		3000/4000 K	3000 K	4000 K	3000 K	4000 K
Annero on/off & Sensor	18		1750	1800	97	100
	14		1360	1400	97	100
	10		1010	1050	101	105
Annero 3h EM sensor	20		1750	1800	87	90
	16		1360	1400	85	87
	12		1010	1050	84	87

9 Refit the power cover (twist clockwise to secure), secure it by the screw.



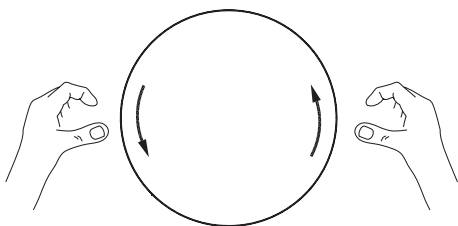
10 The fixture rotates around one end of the bracket to the ceiling and snaps into the other end of the bracket.

11 Secure the locking screw.

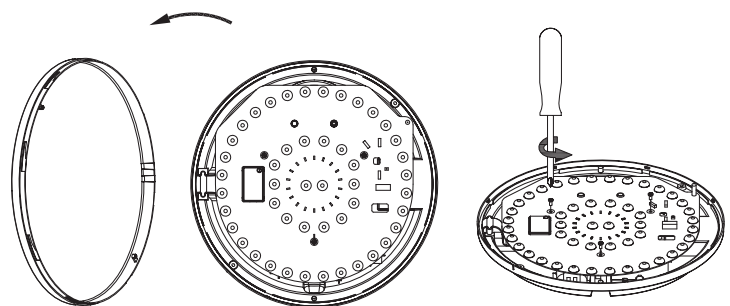


Replacement of the light source PCB

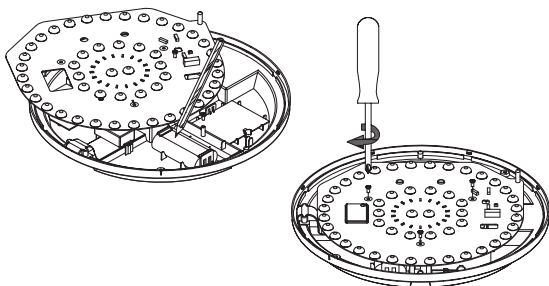
1 Twist the cover of the anticlockwise and pull to remove it.



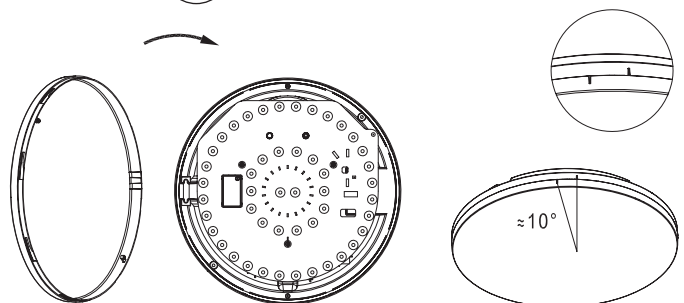
2 Loosen the screws retaining the light source PCB and pull it to remove.



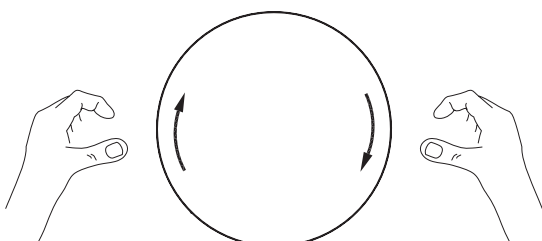
3 Fill in the battery installation date, put the light source PCB into original position and secure the screws.



4 Refit the cover (twist clockwise to secure).



5 Twist the cover to align the protrusions of the cover and the housing.



6 Secure screws and O-ring.

