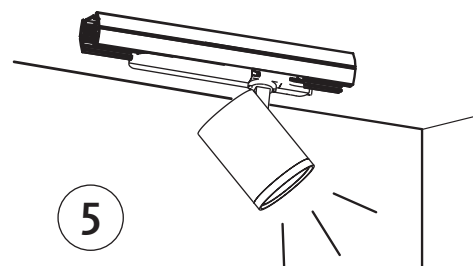
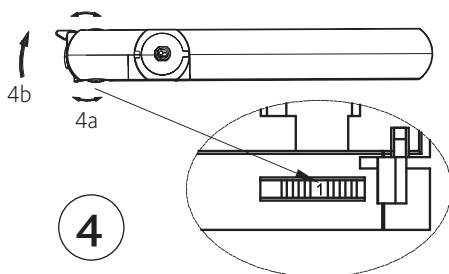
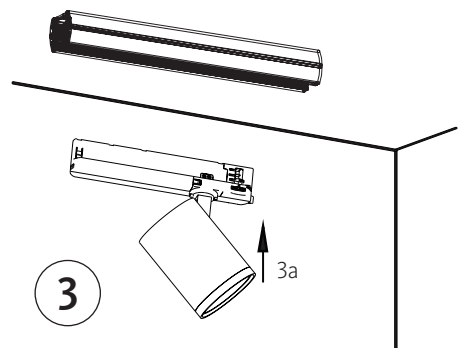
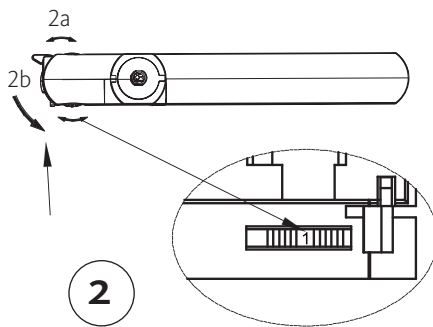
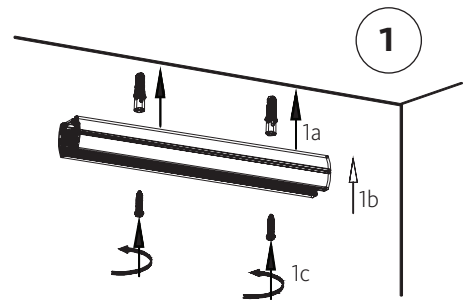


Ribes

Installation manual

Installation Steps

- 1: Install the track to the ceiling as shown in picture 1.
- 2: Turn the power supply to position 1 and then rotate the shift as shown in picture 2.
- 3: Assembly the track head into track as shown in picture 3.
- 4: Rotate the shift to 90° as picture 4, rotate 1/2/3 as your requirement, switch can rotate 355° in clockwise and anticlockwise as shown in picture 4.
- 5: Installation is complete as shown in picture 5.

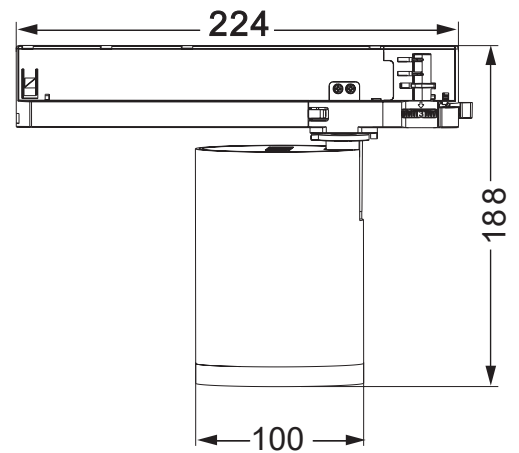
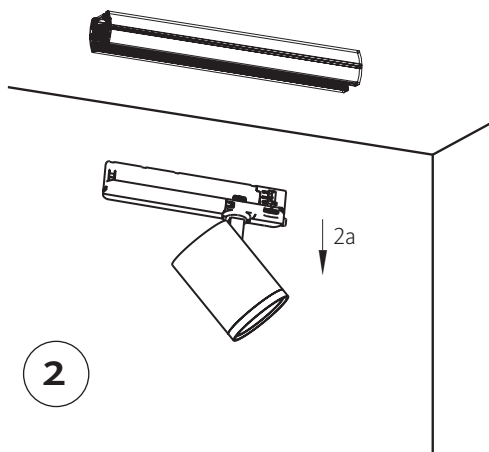
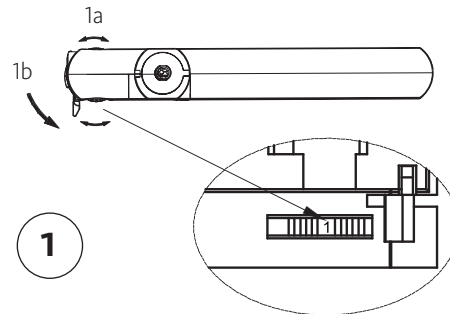


Ribes

Disassemble steps

Disassemble Steps

- 1: Turn the power supply to position 1 and rotate the shift to 90° as shown in picture 1.
- 2: Pull the spotlight gently downward from the track as shown in picture 2.



Cautions!

- 1: Make sure the power is disconnected between the spotlight and the track before spotlight disassembly.
- 2: The installation operator must hold a qualified electrician certificate.
- 3: Check the luminaire and accessories before installation. If there is any damage in lamp body or glass, please stop the installation.

