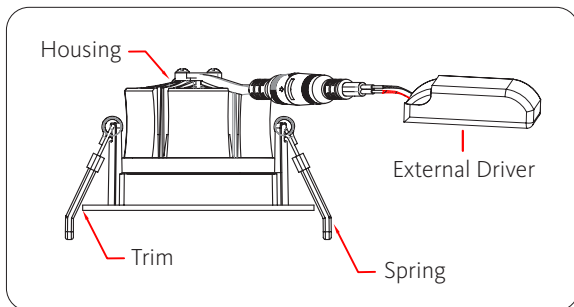
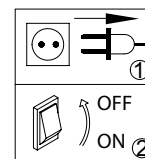


Silva – fixed version

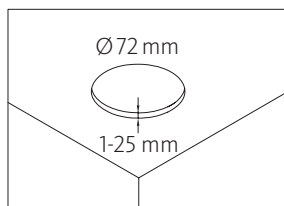
Installation manual



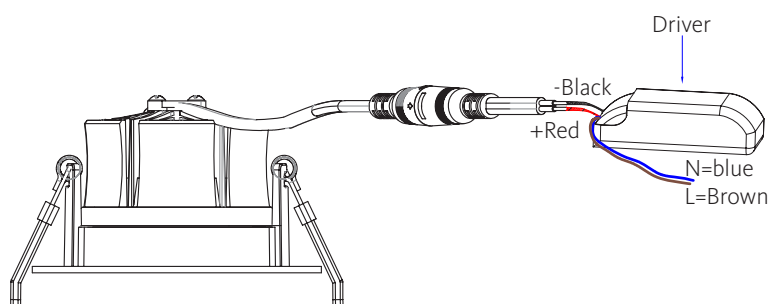
1 Make sure to turn off the main power before installation.



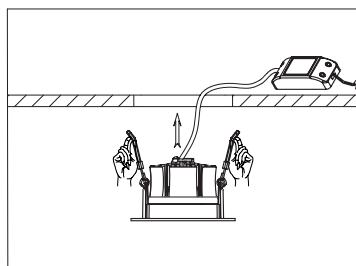
2 Cut-out: $\text{\O}72\text{ mm}$.



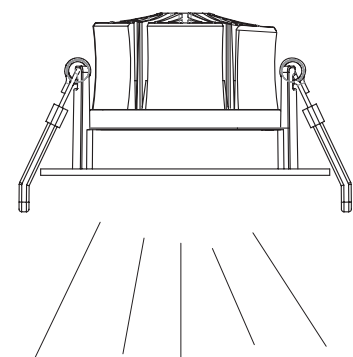
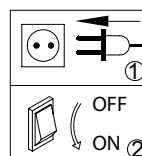
3 Connect the lamp to the driver, the red line to the driver's positive and the black to the negative, then connect the power cable to the driver.



4 Put the spring upward, sufficiently lift the product.



5 Turn on the power switch to verify that the product is working properly.



Silva – fixed version

Installation manual

Caution

Please turn off the power circuit switch and read these procedures before installations. Before assembling your lighting fixture, please read all instructions. If you do not have electrical wiring experience, refer to a do-it-yourself wiring handbook or have your fixture installed by a qualified licensed electrician.



Warning

Luminaires not suitable for covering with thermally insulating material.

