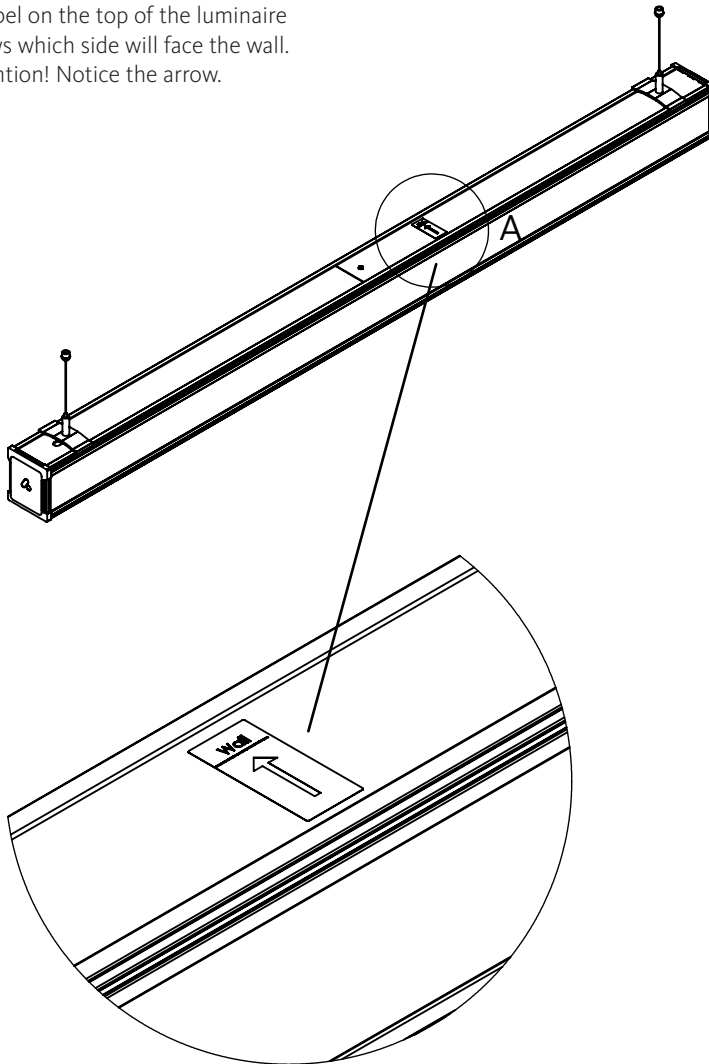


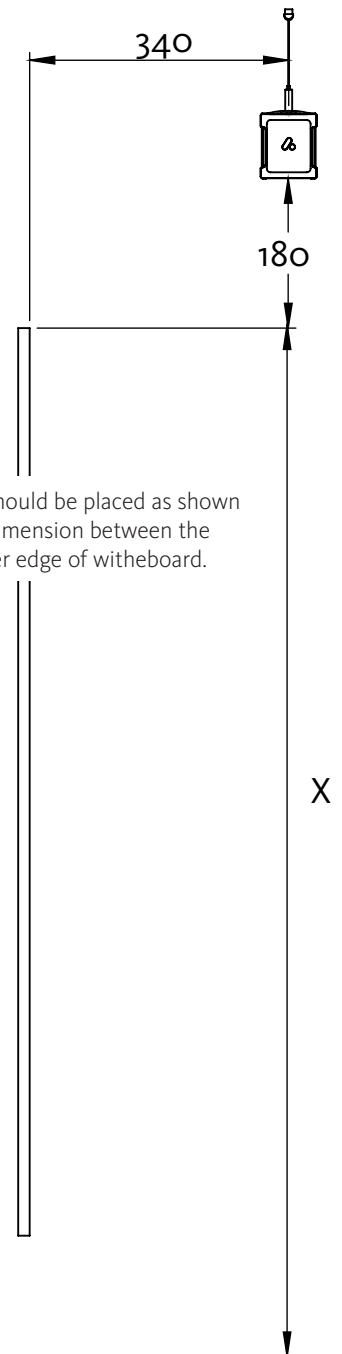
Exzite whiteboard PE

Installation manual

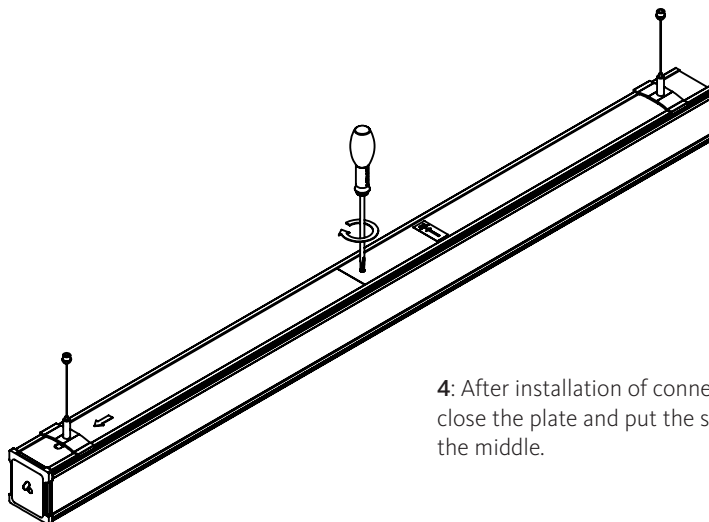
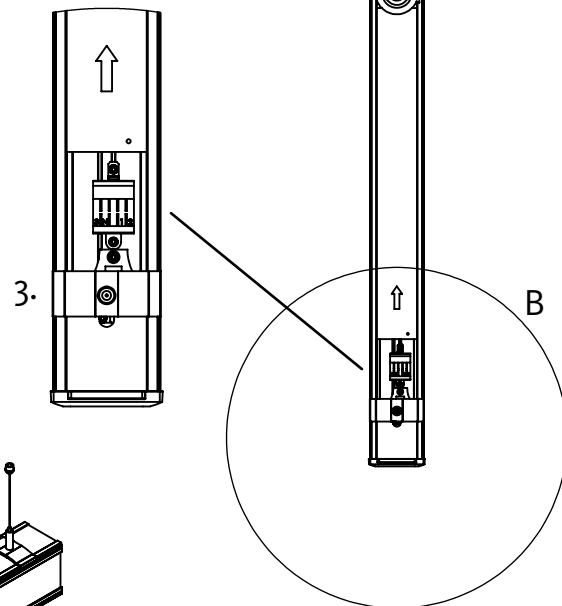
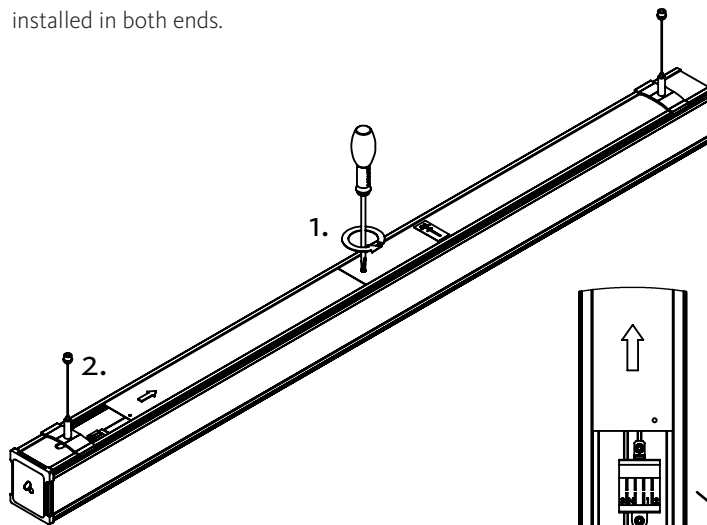
1: Label on the top of the luminaire shows which side will face the wall. Attention! Notice the arrow.



2: The luminaire should be placed as shown dimensions. X is dimension between the floor and the upper edge of whiteboard.



3: Open the plate on top by removing the screw in the middle. Plate can be open on both ends. The connection cable can be installed in both ends.



4: After installation of connection cable, close the plate and put the screw back in the middle.