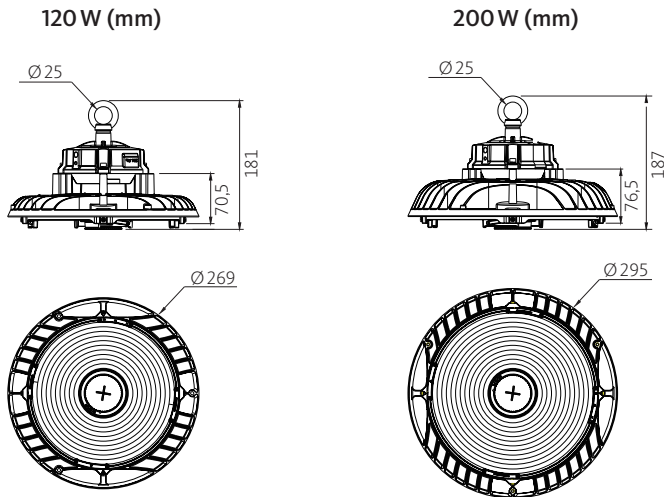


# Spartan

Installation manual



**Note:** Spartan is meant for standard use indoor and specified non-heated areas. For example factories, workshops, warehouses, supermarkets, exhibition halls and similar applications.

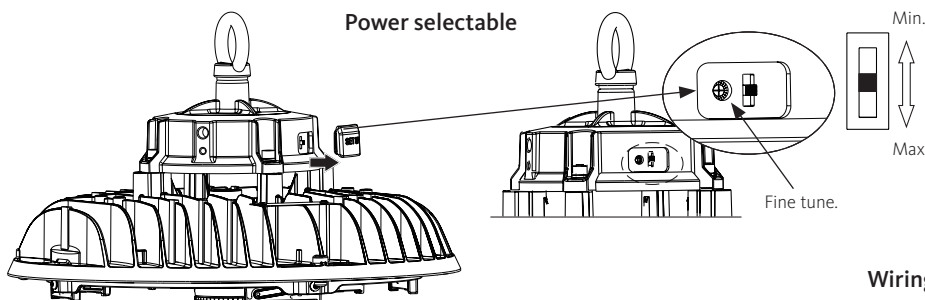
Product Specifications (W)	120	200
Input Voltage (V)	220-240	
Power Frequency (Hz)	0/50-60	
Outlook Dimensions (mm)	Ø 269X181	Ø 295X187
Luminaire Net Weight ±0,3 (kg)	1,91	2,6
Working Temperature (C)	-30° to +50°	
Storing Temperature (C)	-40° to +70°	

DALI			
	1	2	3
ON	●	○	○
	○	●	○
	○	○	●
	○	○	○
	○	○	○
	○	○	○

Max. 120 W

DALI			
	1	2	3
ON	●	○	○
	○	●	○
	○	○	●
	○	○	○
	○	○	○
	○	○	○

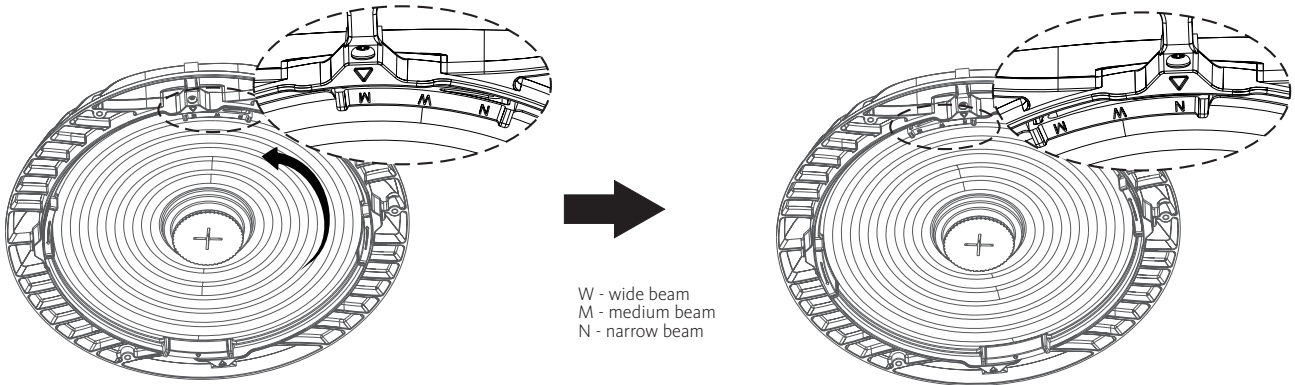
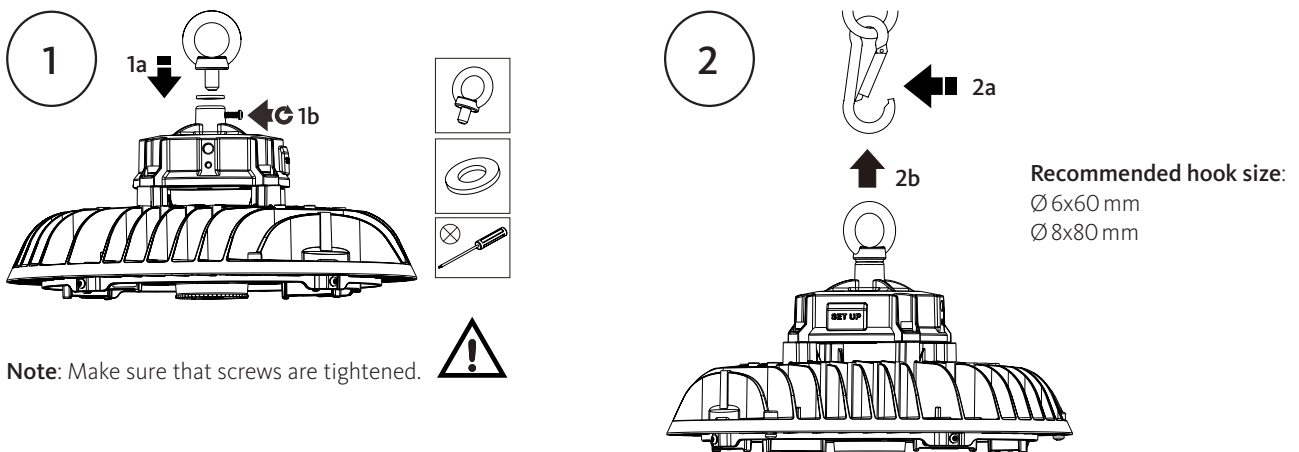
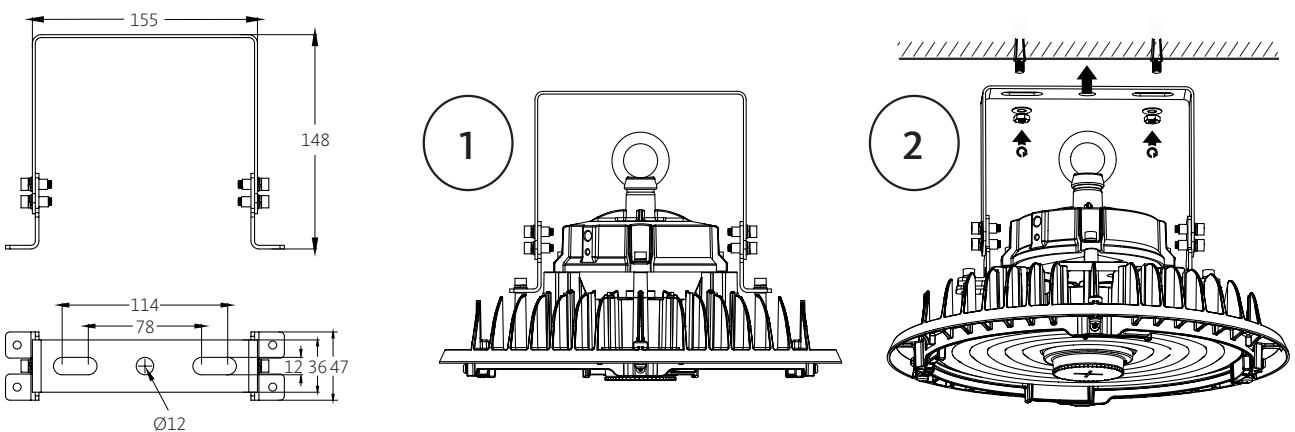
Max. 200 W



On/off	
200 W	120 W
160 W	96 W
120 W	72 W

## Wiring diagram

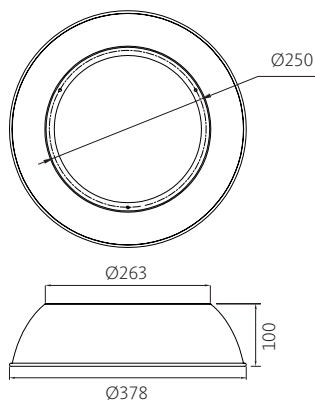


**Rotatable lens**

**Suspension mount**

**Ceiling mount (mm)**


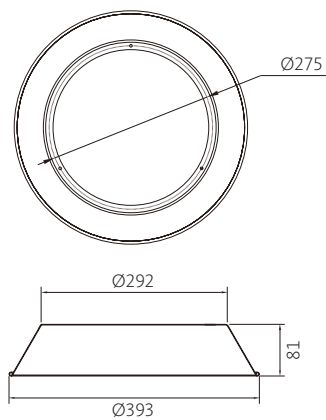
# Accessories

## Aluminium reflector

120 W (mm)



200 W (mm)

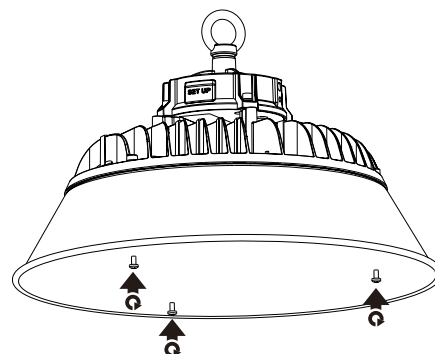
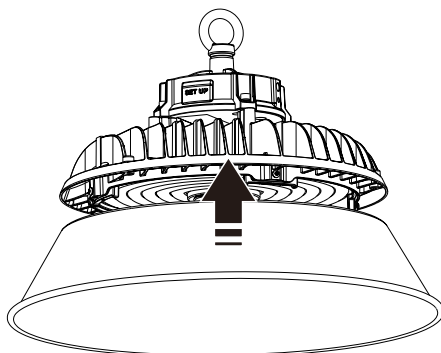




### Accessories:

High bay PC prismatic reflector .....	83300187
High bay PC prismatic reflector + cover .....	83300117
Safety Chain Ø 6x60 mm.....	83310107
Adjustable bracket (all versions).....	83310104
High bay Alu reflector black 90° 120 W.....	83310105
High bay Alu reflector black 90° 200 W.....	83310106

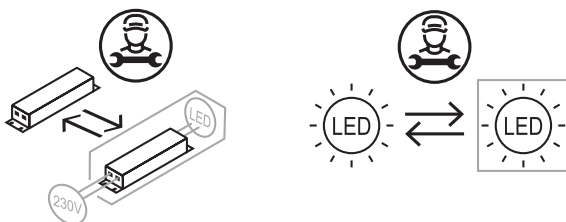
### Link to auralight.com:

<https://www.auralight.com/en/accessories-luminaires>



 M4x12  
 3 pcs  
 2,0 Nm

Variant	Power (W)	Light output (lumen)			Efficacy (lm/W)		
		WB	MB	NB	WB	MB	NB
Spartan PE D295 On/Off	200	34160	32890	31050	171	164	155
	160	27500	26480	25000	172	166	156
	120	21140	20350	19220	176	170	160
Spartan PE D269 On/Off	120	20450	19690	18590	170	164	155
	96	16540	15920	15030	172	166	157
	72	12600	12130	11450	175	168	159
Spartan PE D295 DALI	200	34160	32890	31050	171	164	155
	150	26220	25240	23830	175	168	159
	120	21140	20350	19220	176	170	160
	100	17860	17190	16230	179	172	162
Spartan PE D269 DALI	120	20450	19690	18590	170	164	155
	100	17280	16640	15710	173	166	157
	80	14000	13480	12730	175	169	159
	60	10580	10190	9620	176	170	160



The luminaire contains a control gear and a replaceable LED light source that should only be replaced by manufacturer.