

# Safie Opal

## Installation manual

### Safety Instructions

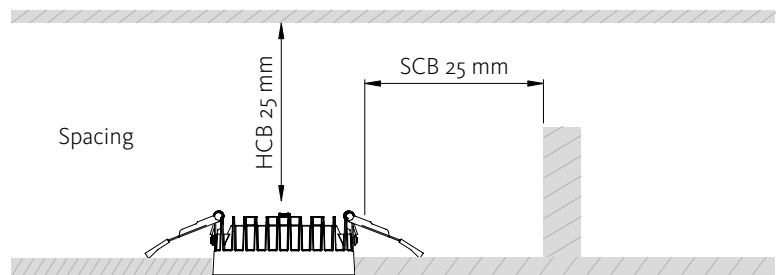
Basic safety precautions should always be followed when installing, including the following.

- 1: Read instructions & check you have all the tools & accessories to complete the installation correctly.
- 2: Licensed electrician for installation only.
- 3: Always ensure the power is OFF and the fitting has cooled down before performing any maintenance, cleaning, or adjustment to the fitting.
- 4: Do not install any luminaire near a heat source.
- 5: Do not exceed the nominal supply voltage or amperage ratings.
- 6: To avoid injury or damage to the fitting, please ensure that power leads and screws are secure before connecting the power.

Clearance required from structural members and building elements.

SCB 25 mm  
 HCB 25 mm  
 MIC 0 mm  
 SCI 0 mm

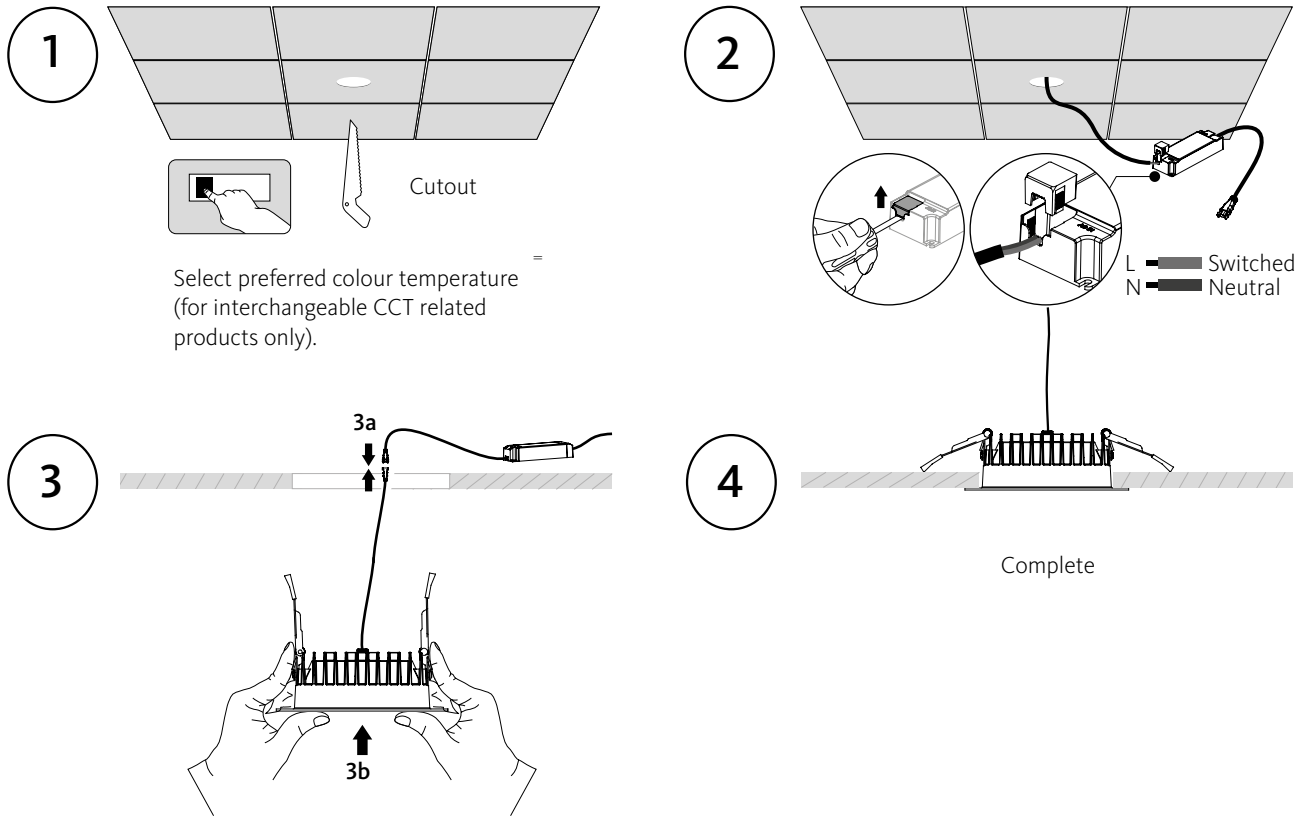
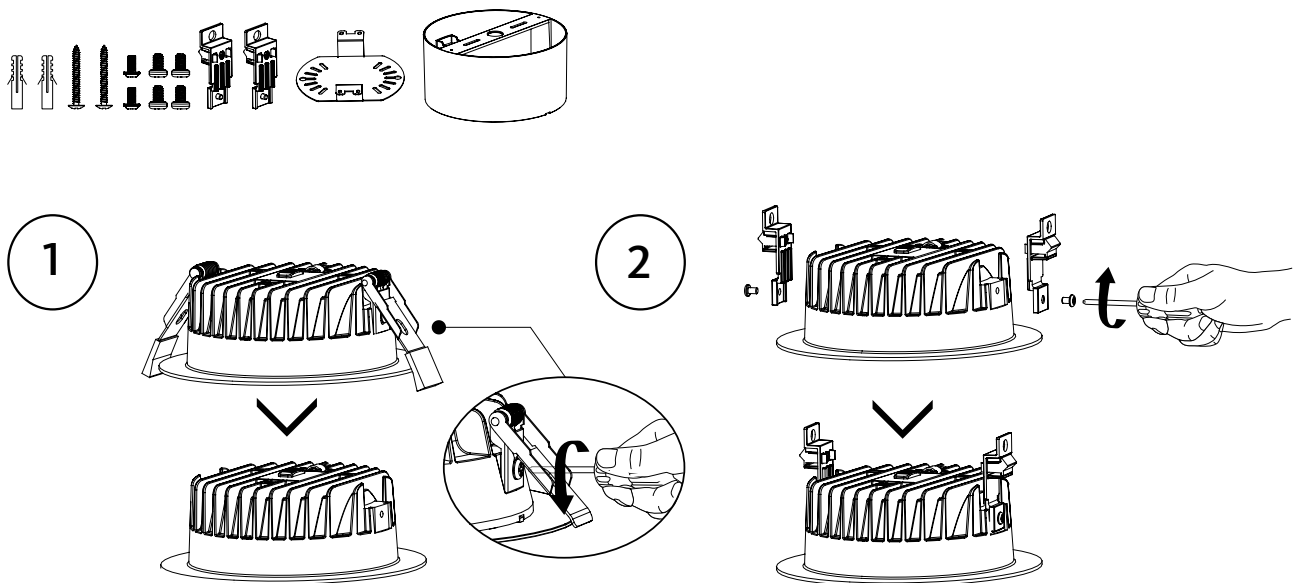
HCB - Height clearance to building element.  
 MIC - Minimum insulation clearance.  
 SCI - Side clearance to insulation.  
 SCB - Side clearance to building element.



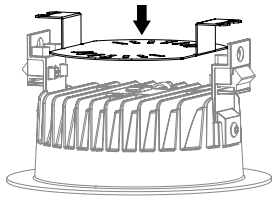
Ceiling cutout - Before installation, please check the IP label on the luminaire to choose the right place to install		
Downlight Ø (mm)	190	228
Ceiling Cutout (mm)	160-170	200-210

IP rating - Before installation, please check the IP label on the luminaire to choose the right place to install	
IP40	Indoor use only, do not use in wet or damp place.
IP54	Suitable for indoor areas including bathrooms and covered/sheltered areas such as porches.

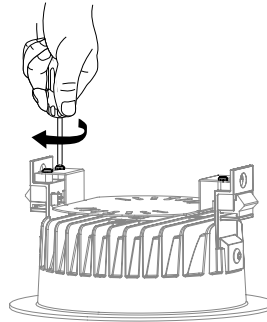
Dimmer selection - before installation, please check the information of driver as below	
Non-dim	Can not be used with any dimmer.
Triac dim	Compliable with recommended TRIAC dimmers, dimming range 8-100%.

**Downlight with external driver**

**Screw surface mounted installation**


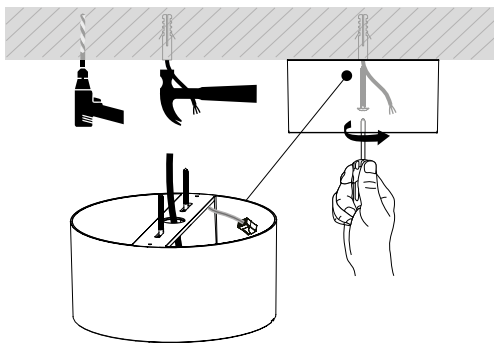
1



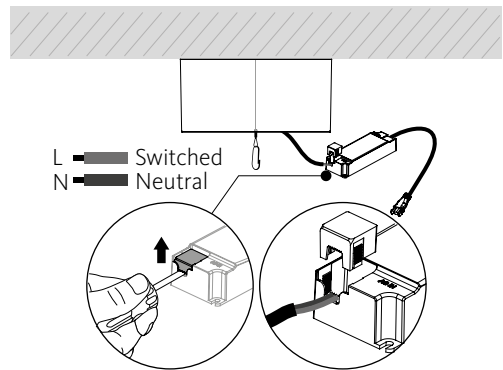
2



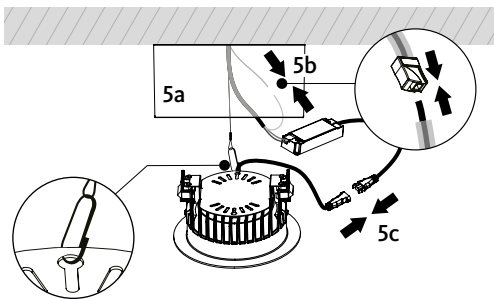
3



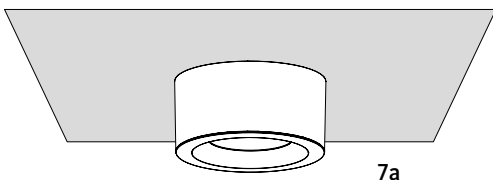
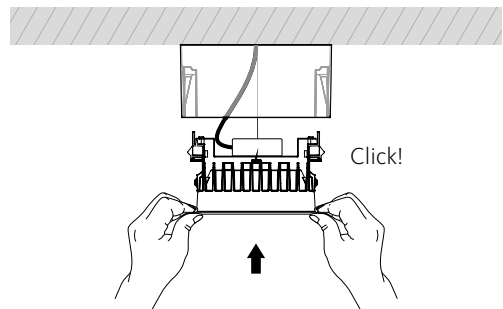
4



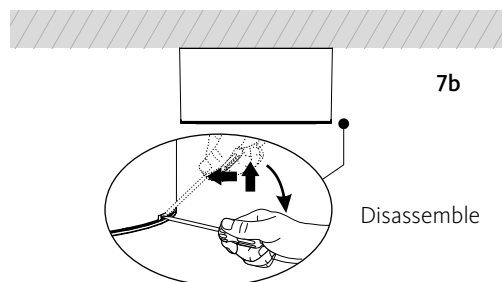
5



6



7



Complete

### Warning

- 1: Switch off before installation.
- 2: Switch on only after complete installation and examination of the circuit.
- 3: Professional electrician for installation and maintenance only.
- 4: Input wire diameter  $\geq 0,75\text{mm}^2$ .
- 5: Product modification and improper installation are not valid for warranty!
- 6: Light source of the luminaire is non-user-replaceable, if it is damaged, the luminaire shall be destroyed.
- 7: Warning - risk of overheating or fire if the clearance distances are compromised!



**Caution:**  
Risk of electric shock!

#### Safie 190 mm

Stage 1 (200 mA): 9 W

Stage 2 (250 mA): 11 W

Stage 3 (320 mA): 14 W

Stage 4 (370 mA): 16 W

#### Safie 228 mm

Stage 1 (280 mA): 11 W

Stage 2 (320 mA): 13 W

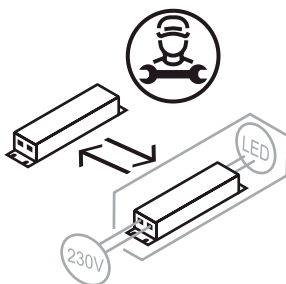
Stage 3 (400 mA): 17 W

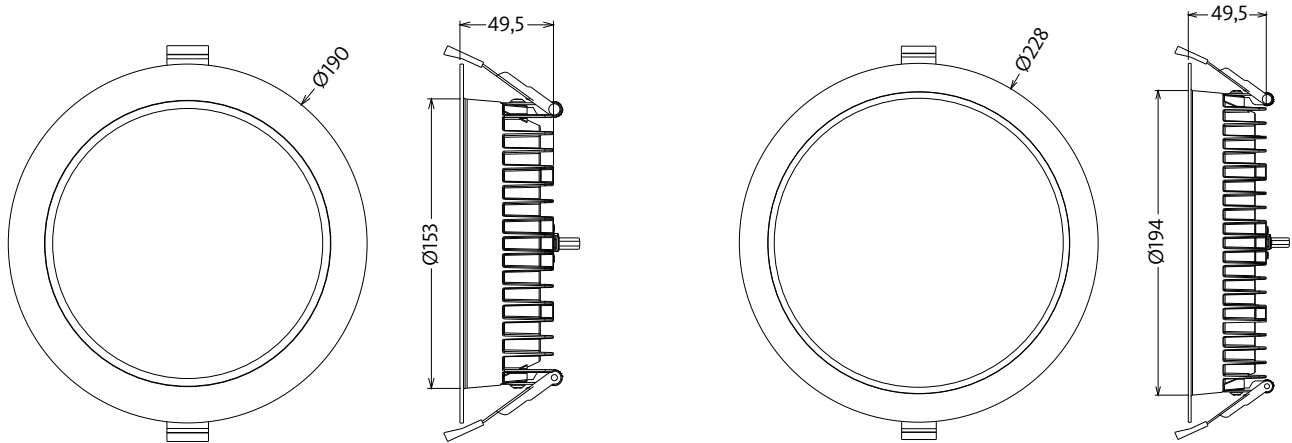
Stage 4 (450 mA): 19 W

Specific lumen data can be found at:

<https://www.auralight.com/en/luminaires/safie-microprismatic>

#Downloads



**Dimensions**

**Accessories:** Surface mounted cylinder
