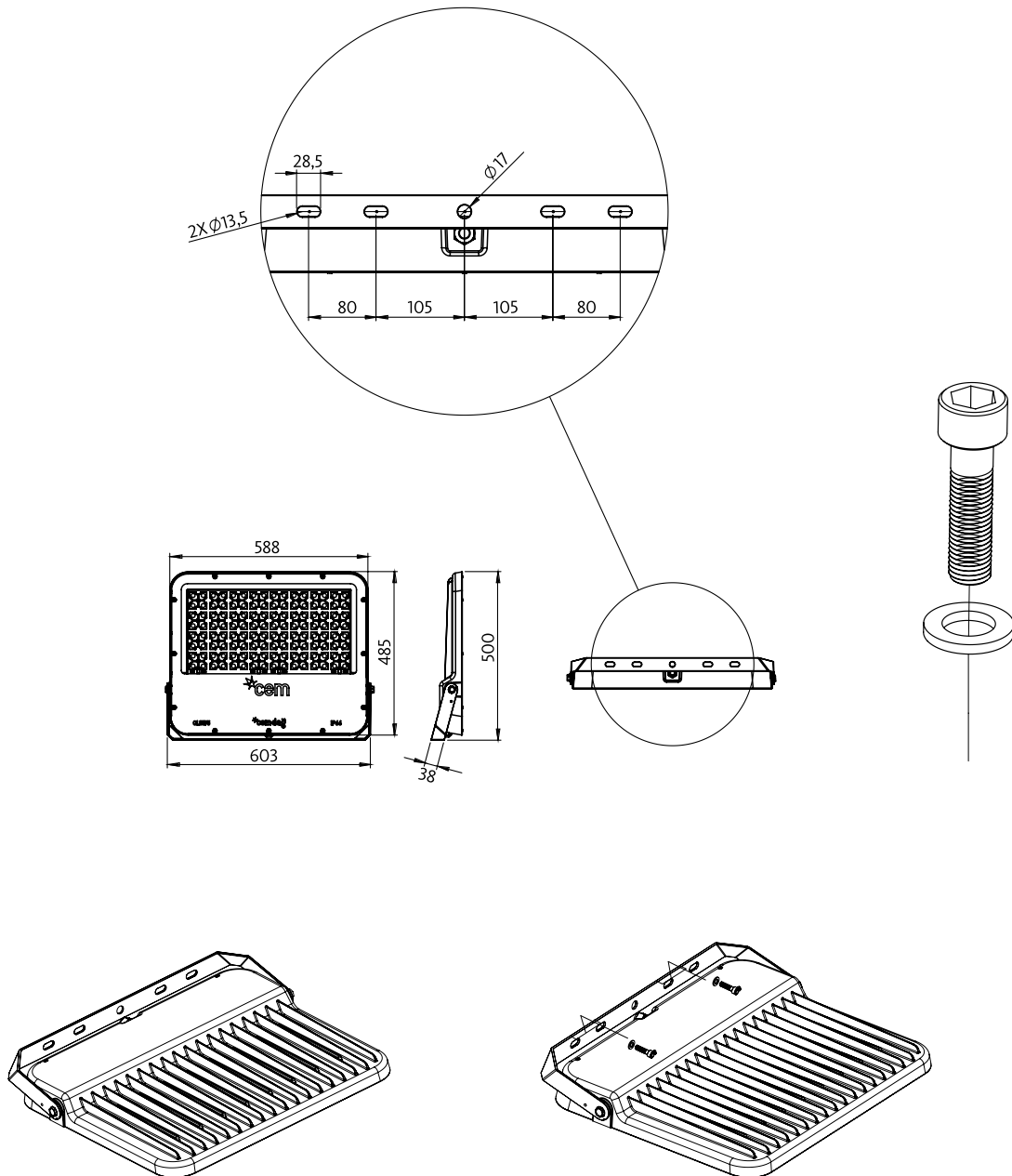
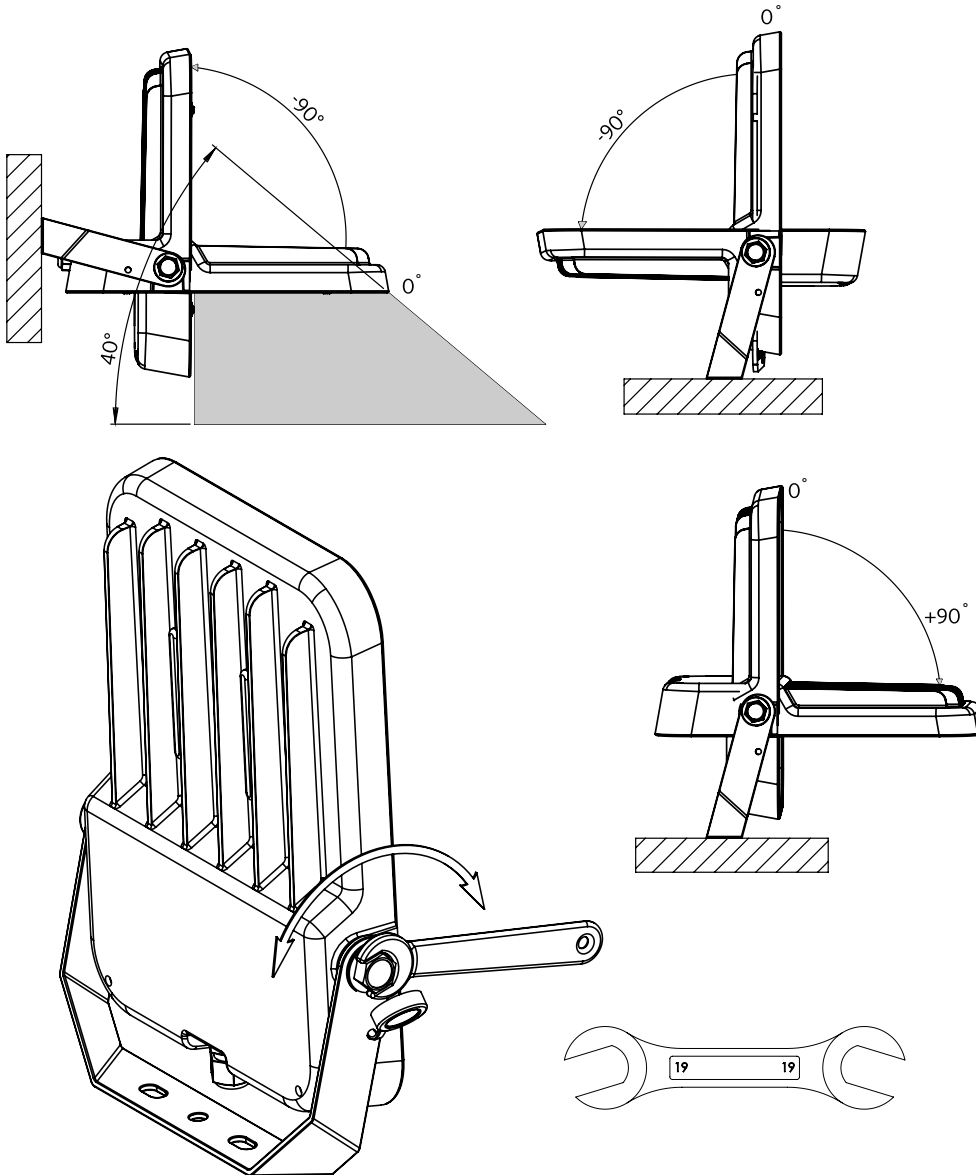


Morisia Flood

Installation manual – CL5575





Mounting and Maintenance process must be done by an authorized electrician.

Suitable for use outdoor.

If the external flexible cable or cord of this luminaire is damaged, it will be exclusively replaced by the manufacturer or his service agent avoid a hazard.

Terminal block not included. Installation must be performed by a qualified person.

The light source contained in this luminaire shall only be replaced by the manufacturer or his service agent or a similar qualified person.

Recommended pole height is between 4-8 meters due to the wattages and only to be installed outside arms reach. Mounting height up to 25 m possible depending on the luminaire power!

The luminaire is non-user replaceable.

Safe use

- Observe the safety instructions!
- Observe the instructions on the type plate of the respective model.
- The lamp may only be used for the approved purpose!
- The manufacturer accepts no liability for damage caused by incorrect or unauthorized use or by non-observance of these operating instructions. Any manufacturer's liability is excluded for damage caused by incorrect or impermissible use or by non-observance of these operating instructions.
- Before installation and commissioning, make sure that the lamp is undamaged!
- Work on the luminaire may only be carried out by (installation, maintenance, servicing, troubleshooting) by authorized and trained personnel.

Intended use

The Morisia CL 5575 radiant panel is a non-opening device.

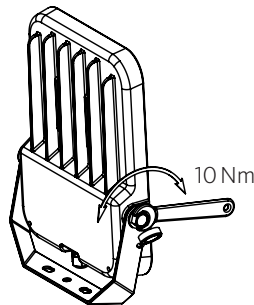
- For stationary mounting.
- Can be used outdoors.
- Mounting types: vertical and horizontal up to 89°.
- For illuminating traffic areas of all kinds.

Safety instructions

Any modification or conversion of the luminaire compared to the condition as delivered will result in the exclusion of warranty and liability. Before the electrical connection of the lamp, the power supply must be disconnected from the mains! Connecting the lamp under voltage can lead to damage!

General

The mounting bracket screws must be tightened with 10 Nm after assembly!



Assembly steps

- Before mounting the lamp, loosen both screws of the mounting bracket slightly so that the bracket is easy to move. Do not disassemble the mounting bracket or unscrew the screws completely!
- Then fold down the mounting bracket slightly to enable the bracket to be fastened to the prepared substrate (metal crossbar/masonry) using suitable screws. Number of fastening screws depends on wind load and substrate!
- Align the luminaire head vertically / horizontally according to the lighting task and tighten the bracket fixing screws accordingly.
- Then make the electrical connection of the light.
- Align the luminaire head according to the lighting task final and then tighten the fastening screws with 10Nm.

SAFETY CLASS I		
Brown	Blue	Yellow/Green
Phase (L)	Neutral (N)	Earth (PE)

Technical data

FUSE TABLE	B16	C10
Morisia Flood 275 W	3	1
Morisia Flood 430 W	3	1
Morisia Flood 600 W	1	-
TECHNICAL FEATURES		
Ambient temperature	-25° C – +40° C	
Voltage	220 –240 V~	
Frequence	50/60 Hz	
Power Factor	>0,95	
Lifetime (L80 B10)	60 000 h	
Protection class	IP66	
Protection rate	IK10	
Insulation Class	Class I	
Weight (kg)	15,4	
t _a	50° C	
Projection Area	0,27 m ²	
Glass	Tempered Glass	
LIGHTING DATA		
Light emission	>120° (Optics dependent)	
SCDM	3	
CRI	80	
Lumen/W	115	
Colour temperature	4000	

Cleaning & Care

The luminaire consists of a die-cast aluminum housing with seawater-resistant protective coating and a single-pane safety glass cover.

Water and mild detergents are permitted, but not in conjunction with abrasive, scratching or aggressive or aggressive cleaning equipment as well as high-pressure cleaners.

Disposal

Electronic waste is recyclable! Therefore, observe national regulations and legal requirements for the disposal of electrical waste.