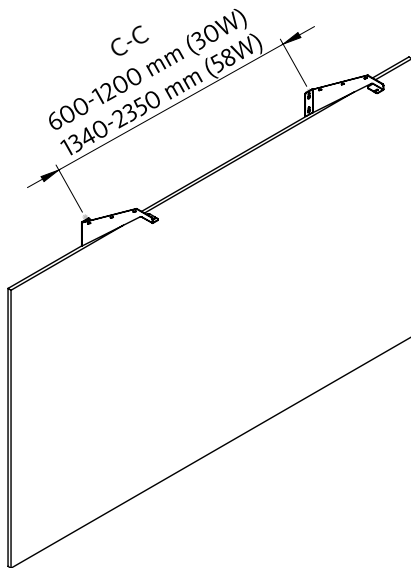


Exzite whiteboard

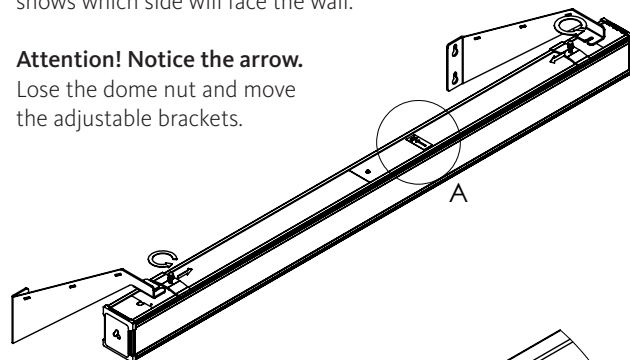
Installation manual

1: Wall bracket should be installed along the top frame edge of whiteboard.

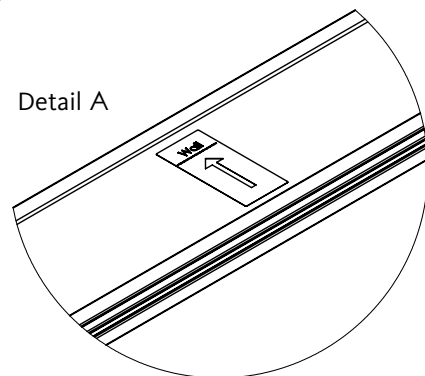


2: Label on the top of the luminaire shows which side will face the wall.

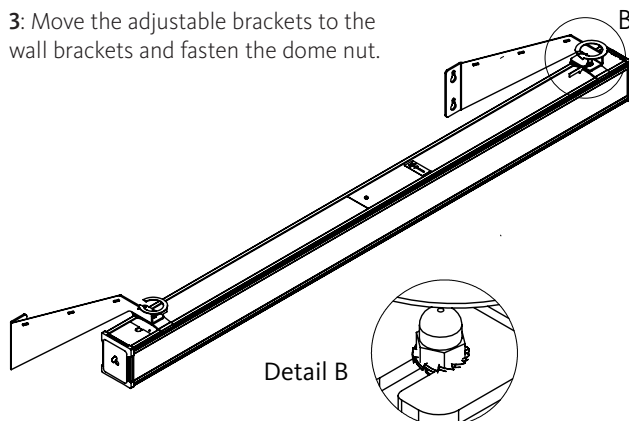
Attention! Notice the arrow.
Lose the dome nut and move the adjustable brackets.



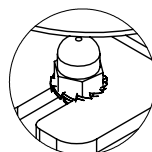
Detail A



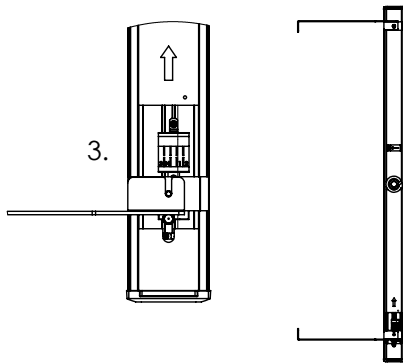
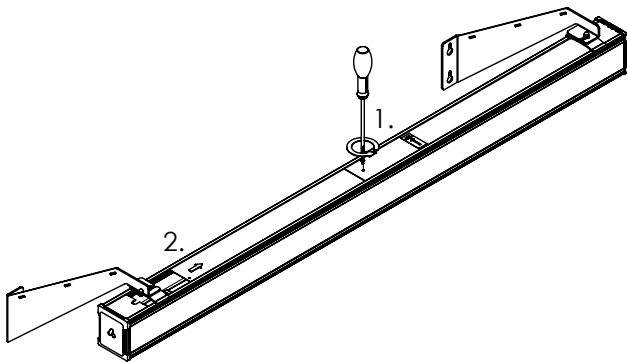
3: Move the adjustable brackets to the wall brackets and fasten the dome nut.



Detail B



4: Open the plate on top by removing the screw in the middle. Plate can be open on both ends. A connection cable can be installed in both ends.



5: After installation of connection cable, close the plate and put the screw back in the middle.

