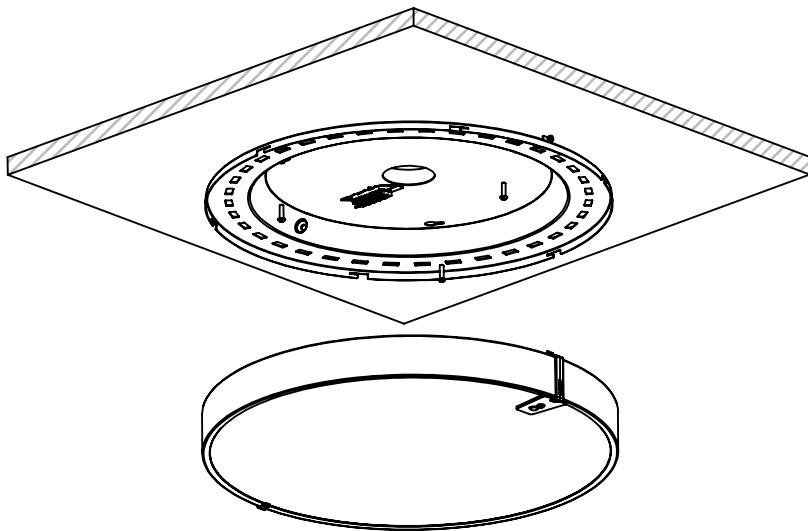
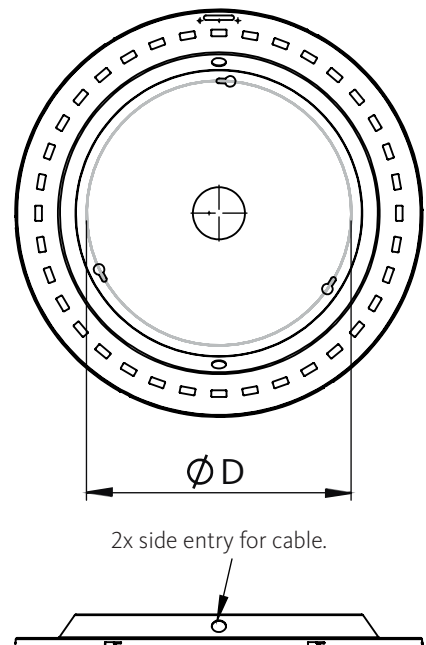


Kvill CE

Installation manual

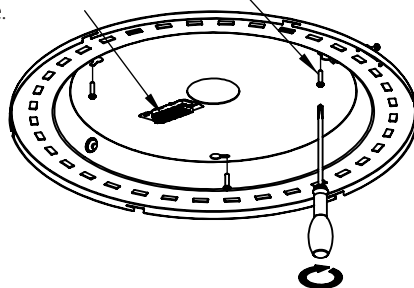


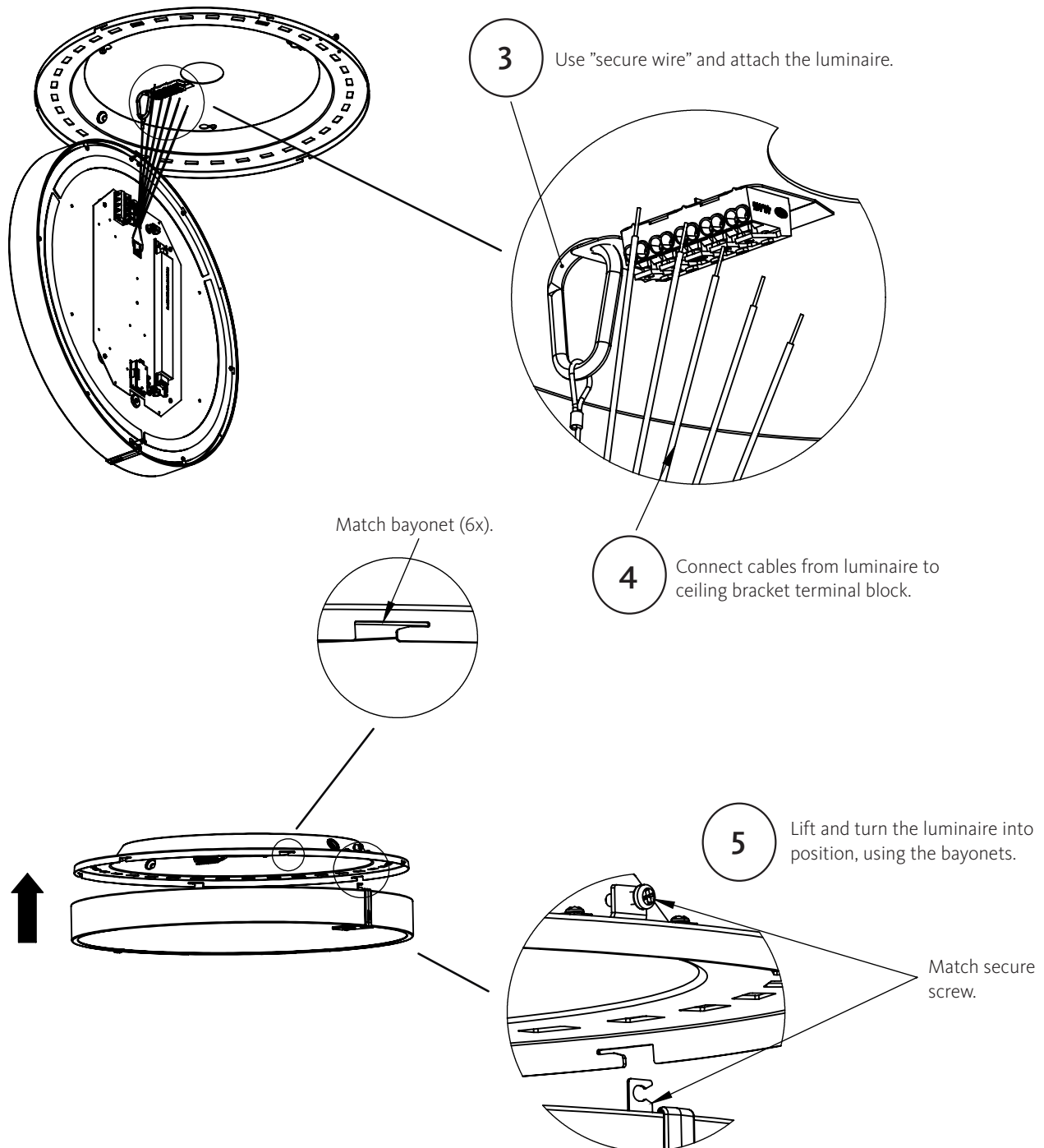
DIMENSIONS	TYPE	Ø D (mm)
	Kvill 400 CE	250
	Kvill 550 CE	350
	Kvill 750 CE	490



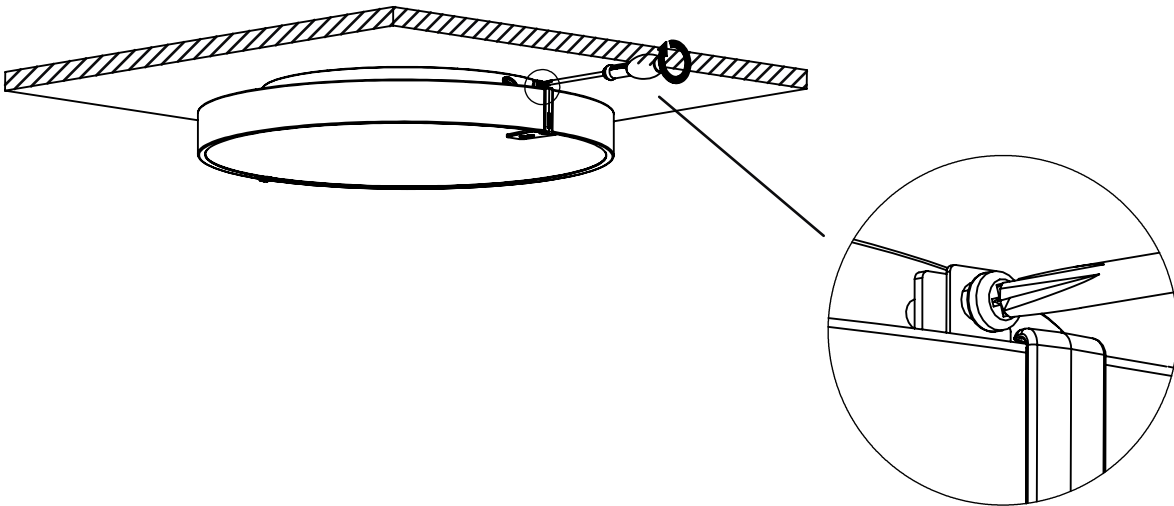
1 Mount ceiling bracket with 3x screw (not provided).

2 Perform electrical installation on the terminal block main side. Cable from behind or from the side.

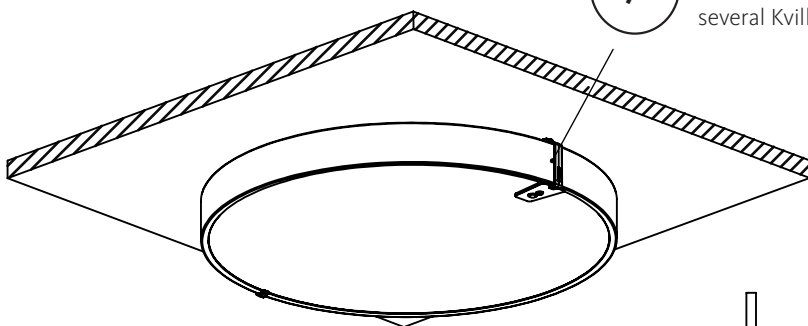




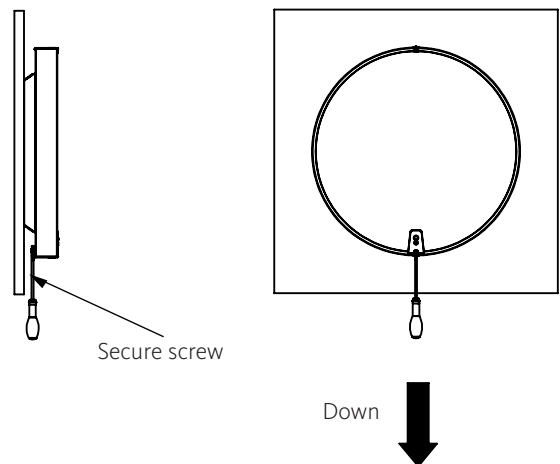
6 Secure the luminaire with the screw. Important!



7 Note! Position of Aura Logo, when mounting several Kvill fittings in a row.



Wall-mounting



Note: The light source contained in this luminaire shall only be replaced by the manufacturer or his service agent or a similar qualified person.

Basic insulation between supply- and control-terminals (DALI).

