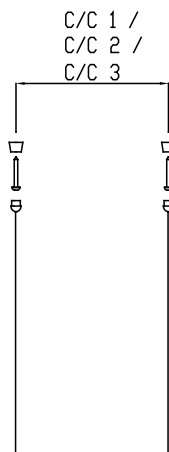
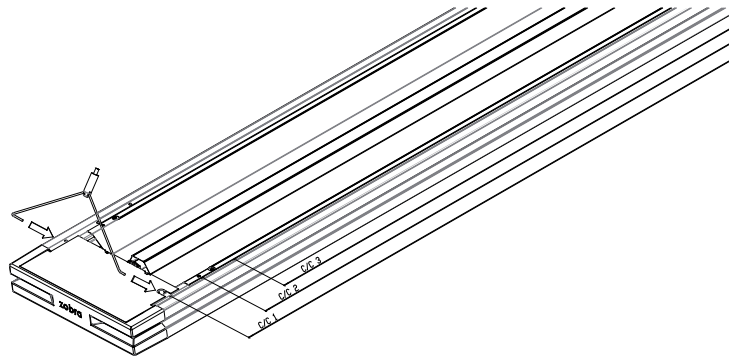


Cetre/Cetvå

Installation manual

Wire installation. Bend the wire bracket and thread it through the end holes of the luminaire. Three different C-C are available to choose from.



Installation of ceiling bracket with cable. Fix the ceiling brackets with the screws that should be used for the ceiling mounting. C/C between the screws shown in the table below. Then screw the wire brackets onto the ceiling bracket.

	TYPE	C/C 1 (mm)	C/C 2 (mm)	C/C 3 (mm)
MODELS	Cetre with Aura UltiLED Long Life	1200	1100	1000
	Cetre/Cetvå 28/54 W	1200	1100	1000
	Cetre/Cetvå 35/49 W	1500	1400	1300

Installation: Lift the luminaire and insert the wire into the wire locks. Adjust the luminaire to the desired height and cut off the excess wire (about 1 cm from the wire lock). The luminaire is equipped with a connecting cable which can be attached to the wire with cable ties.

