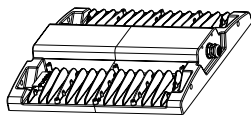
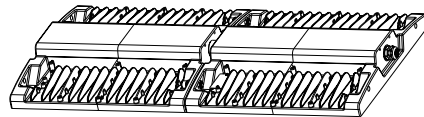


# Aspa Class I

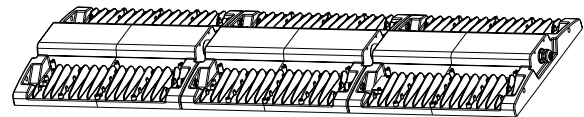
Installation manual



100W/120W/150W



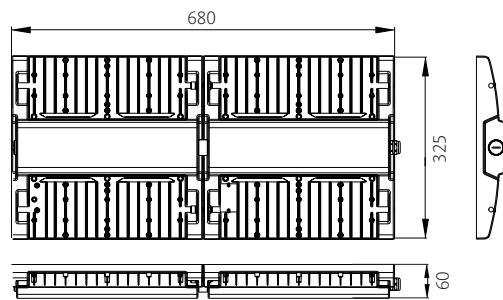
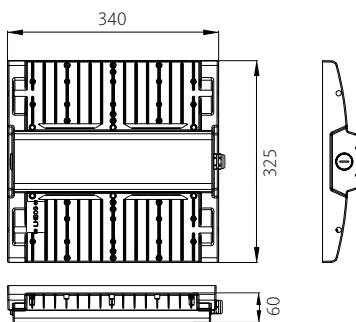
200W/240W/300W



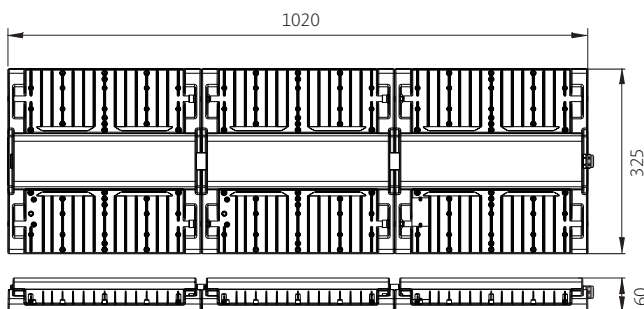
360W/400W/450W/480W

100W/120W/150W

200W/240W/300W



360W/400W/450W/480W



Product specifications	100W/120W/150W	200W/240W/300W	360W/400W/450W/480W
Size (LxWxH)	340x325x60	680x325x60	1020x325x60
Weight (kg)	3,7±0,3 kg	7,8±0,3 kg	11,1±0,3 kg
Input voltage	220-240V - 0/50-60Hz		
Working temperature	-30C° to + 55C°		
Storing temperature	-40C° to + 70C°		

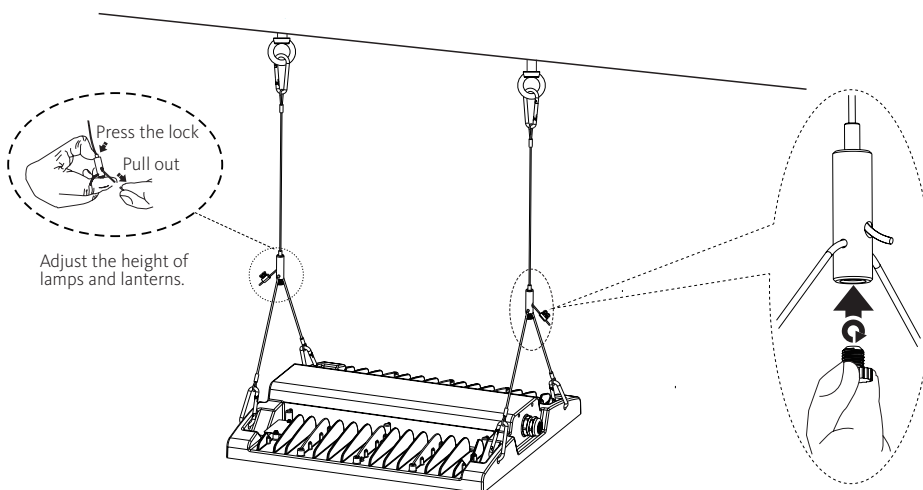
### Wiring diagram



### Number of items per circuit breaker

Wattage \ MCB Type	Type C 10A	Type B 16A	Type C 16A	Type B 20A	Type C 20A	Type B 25A	Type C 25A
100W	8	8	14	10	17	13	22
120W/150W	9	9	15	12	19	15	23
200W/240W/300W	4	4	7	6	9	7	11
360W/400W/450W	3	3	5	4	6	5	7
480W	2	2	4	4	6	5	7

### Suspension mounting



Wire suspension included



2 pcs

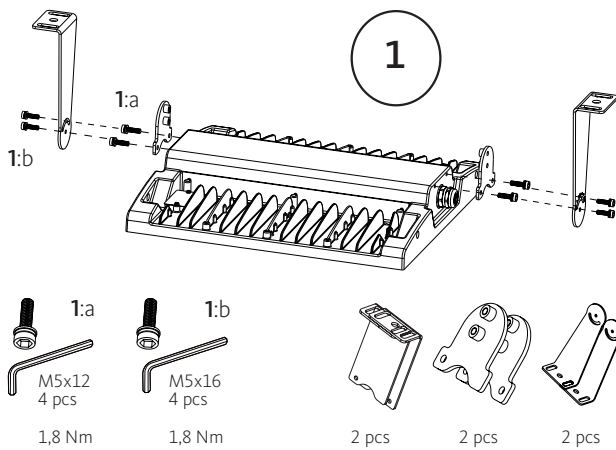
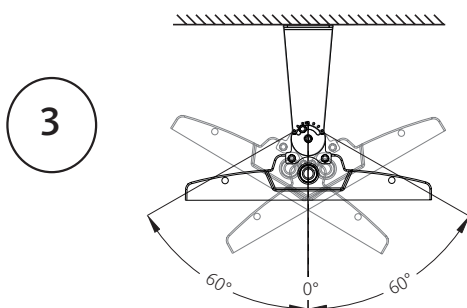
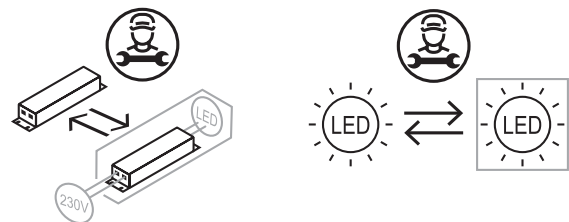
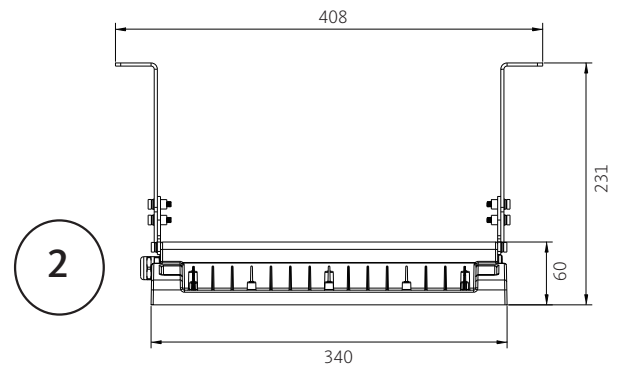
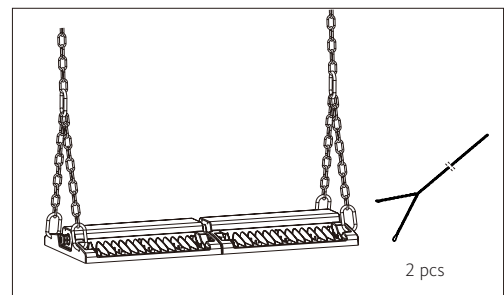
**Accessories:**

Suspension Chain 1m Aspa ..... 83350101  
 Rotatable Mount Bracket Aspa 60° ..... 83350100

**Link to auralight.com:**

<https://www.auralight.com/en/accessories-luminaires>

**Note:** Aspa Class I – ballproof only with suspension chain or fixed bracket.

**Adjustable bracket**

**Rotatable angle**

**Suspension chain**


The luminaire contains a control gear and a replaceable LED light source that should only be replaced by manufacturer.