

Panel surface mounting box

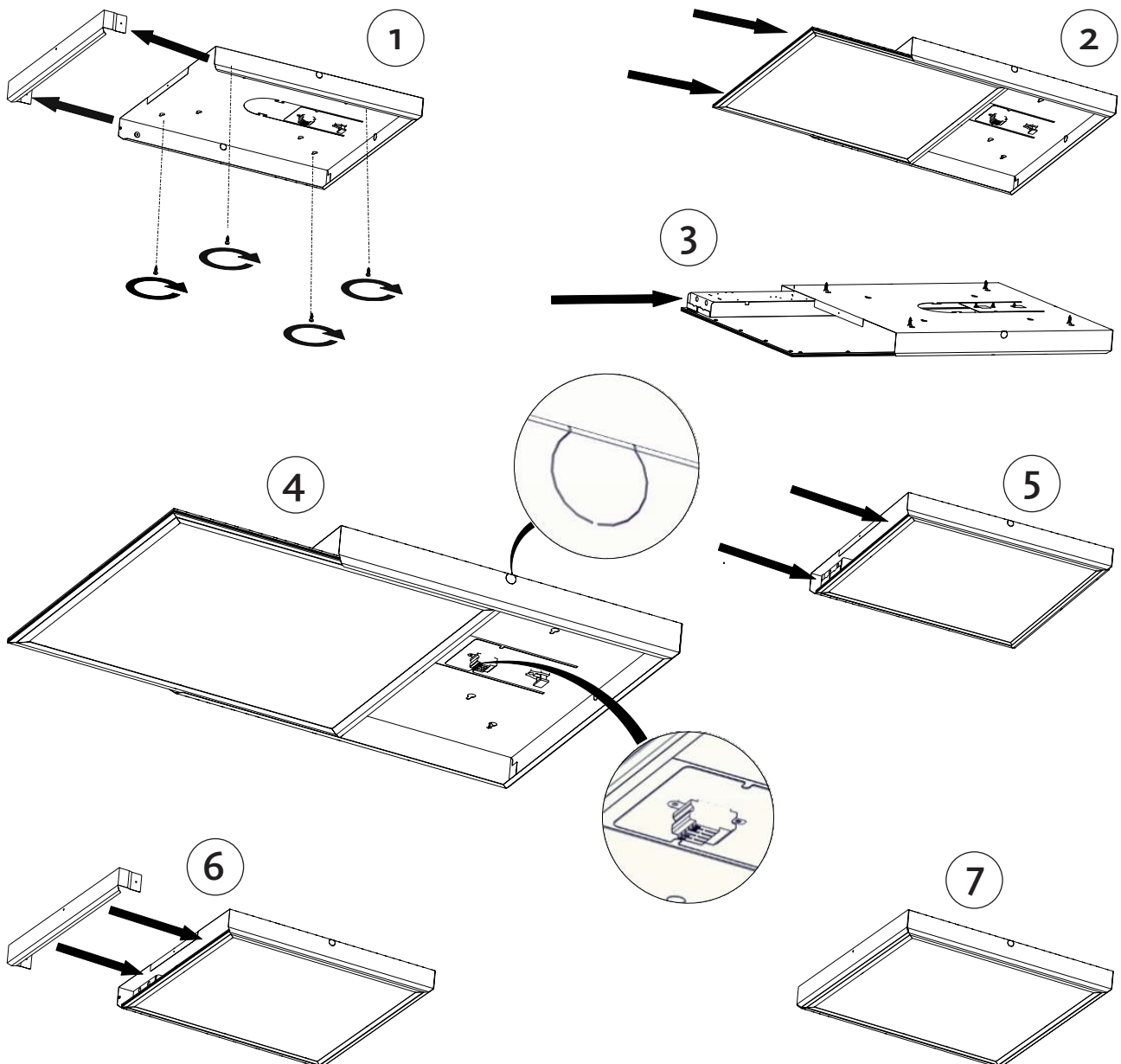
Installation manual – 295x295, 595x595, 1195x295

Box dimension (LxWxH):

295x295: (315x315x61)

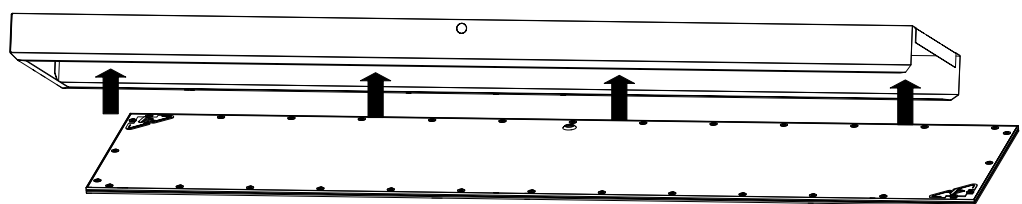
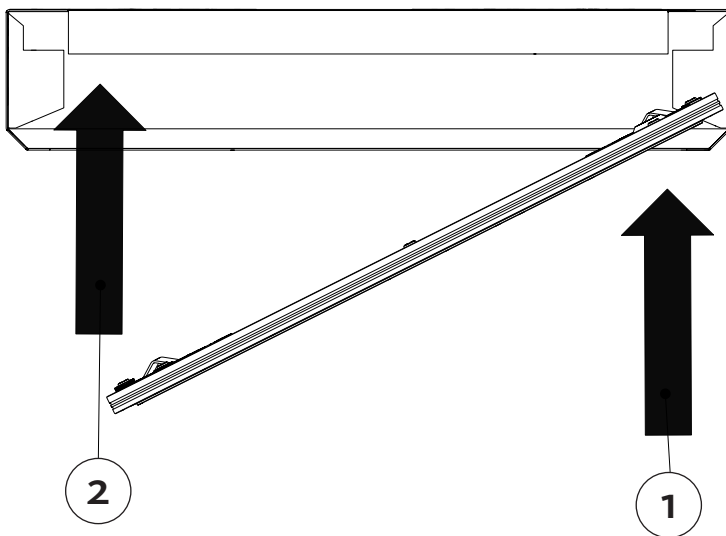
595x595: (615x615x61)

1195x295: (1210x315x61)



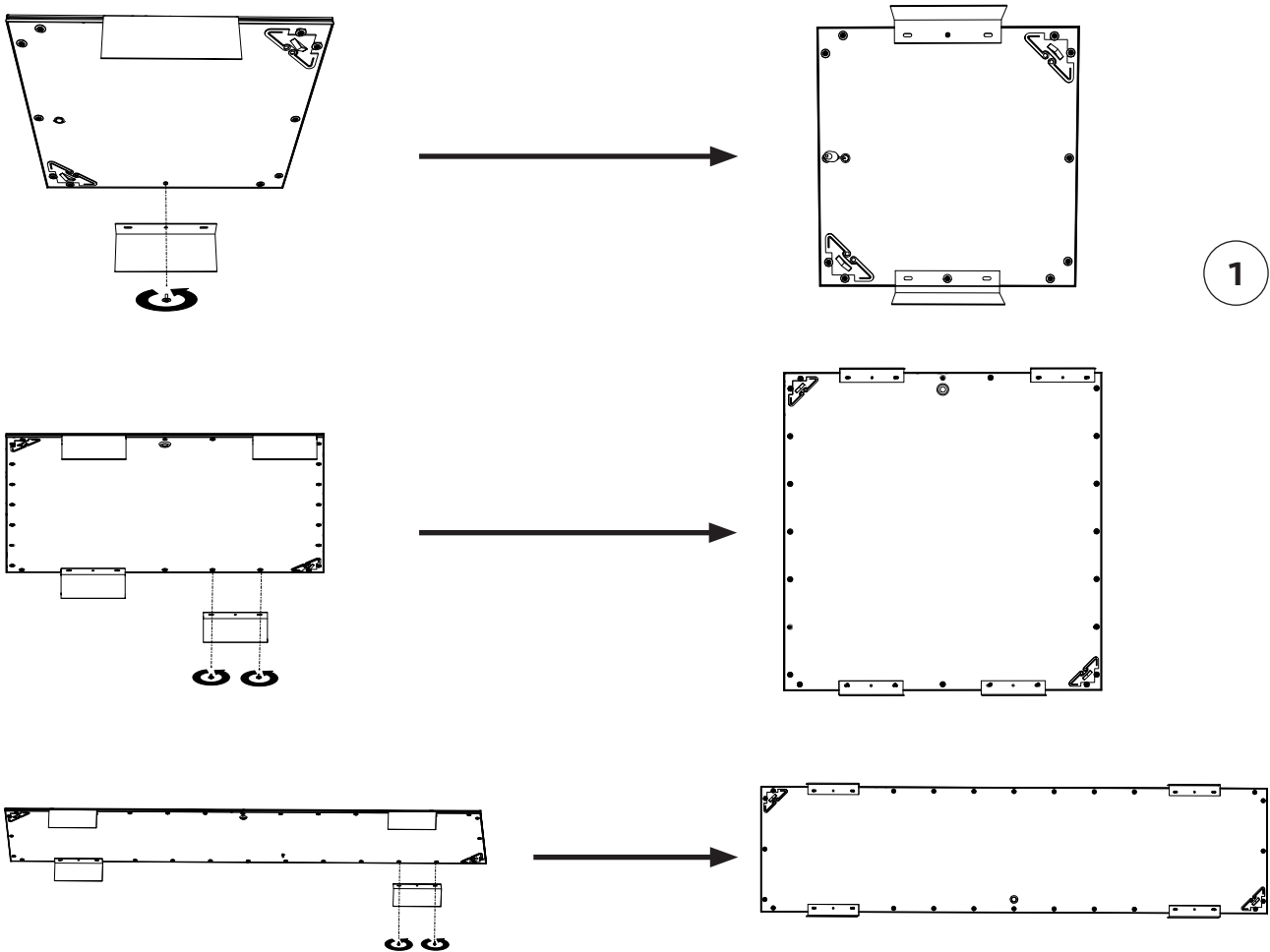
Panel surface mounting box

Installation manual – alternative step two for 1195x295



Panel wall mounting box with extra plates

Installation manual



2

