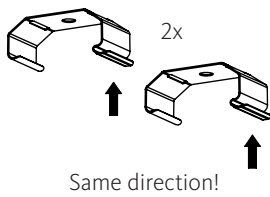


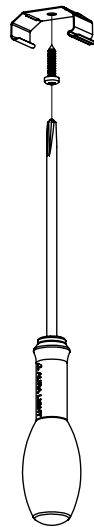
Sevede CE

Installation manual

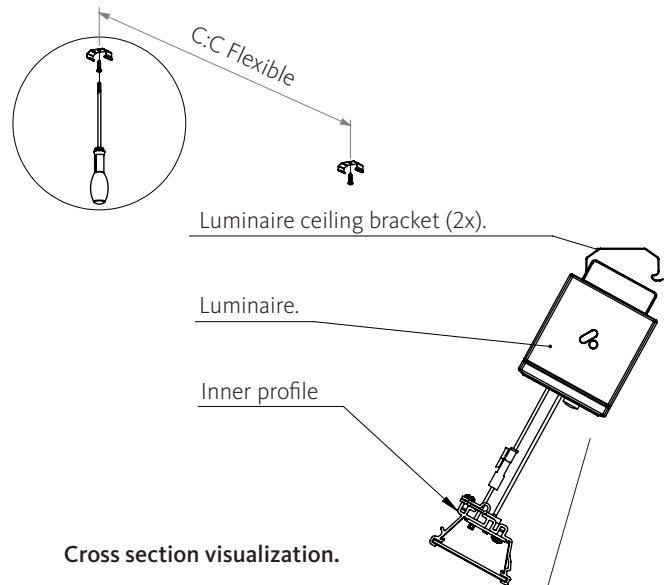
1: Luminaire ceiling brackets.



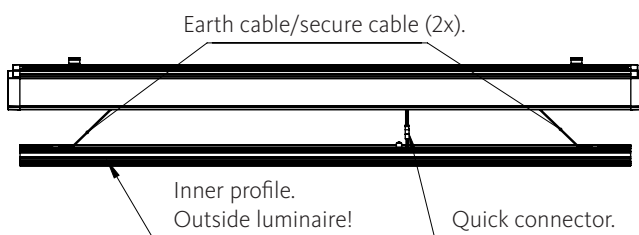
VERSION	C:C MIN. (mm)	C:C MAX. (mm)
Sevede CE 600	300	540
Sevede CE 1200	600	1100



2: Mount luminaire ceiling brackets (2x). Screws not provided.

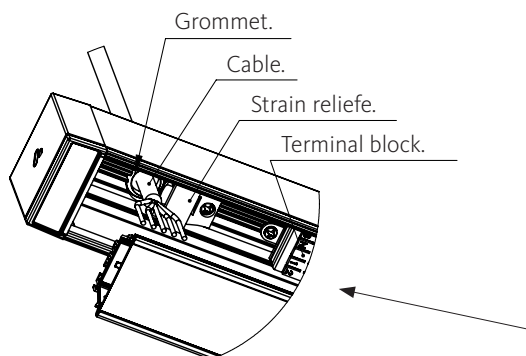
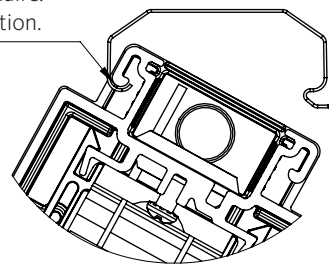


3: Mount luminaire.

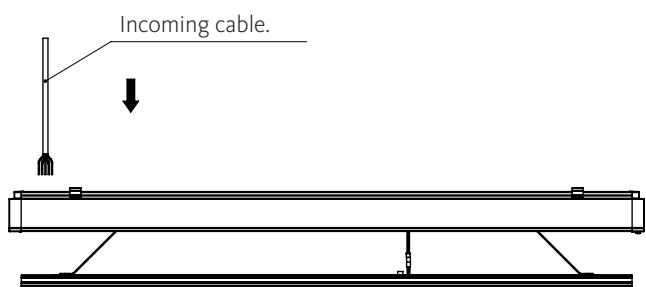


Cross section visualization.

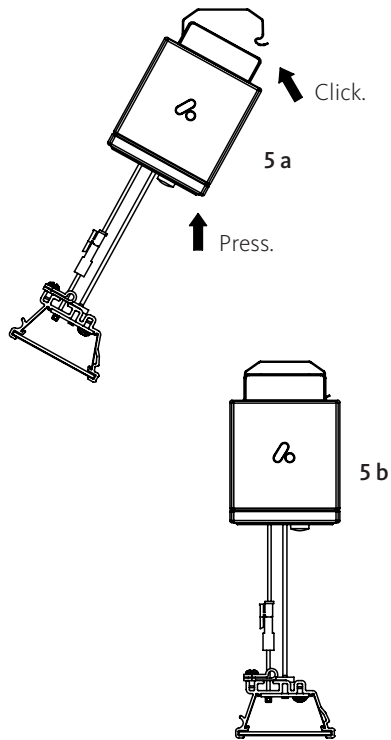
Hang luminaire.
Hinge-function.



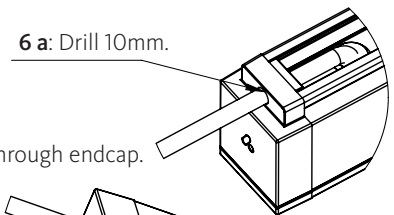
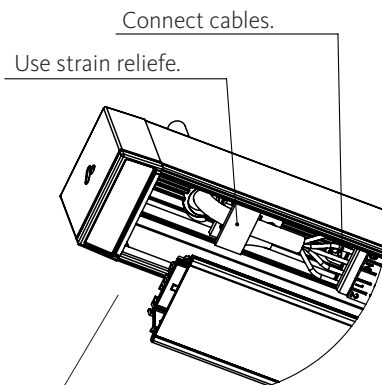
4: Prepare cable.



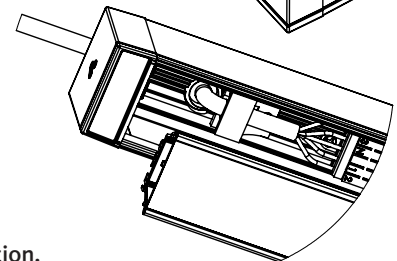
5: Secure luminaire.



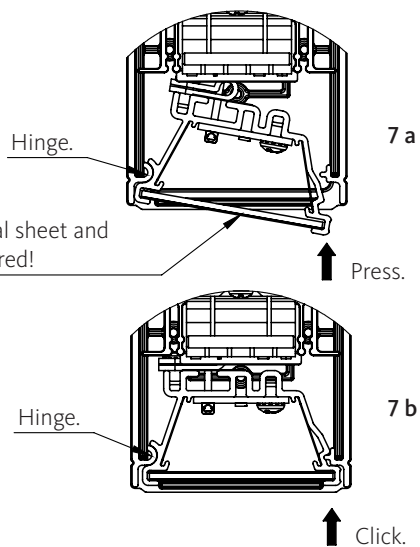
6: Electrical installation.



6 b: Through endcap.



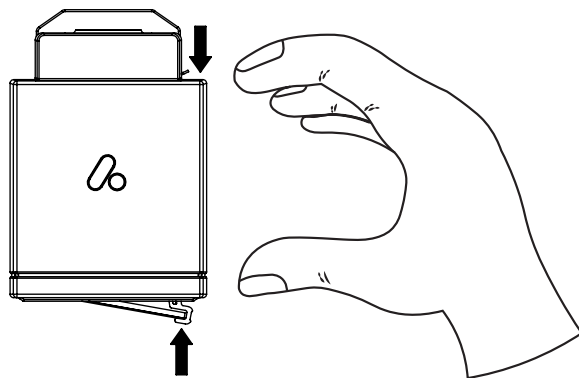
7: Mount inner profile.

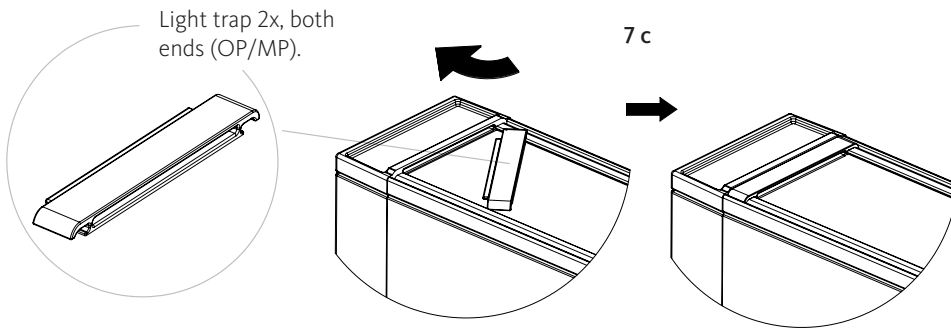


Secure optical sheet and keep it centered!

Cross section visualization.

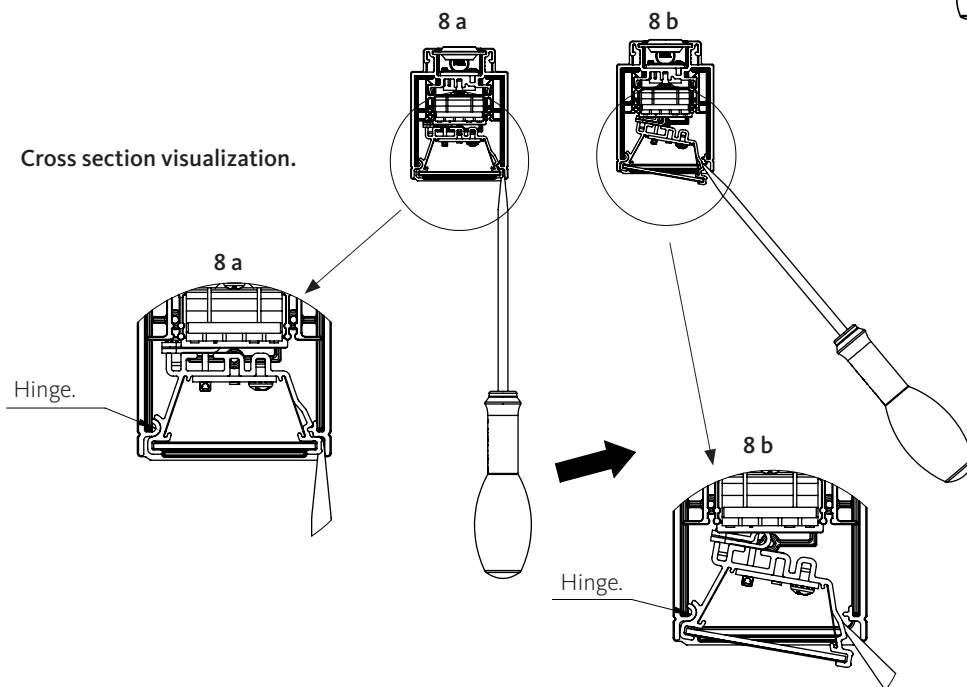
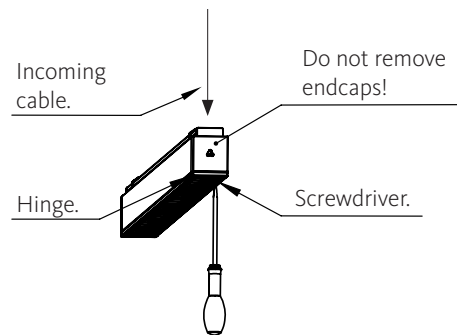
Keep inside cables away when mounting inner profile!



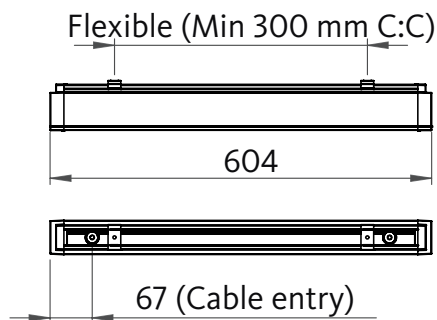
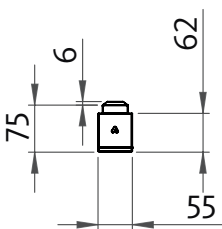
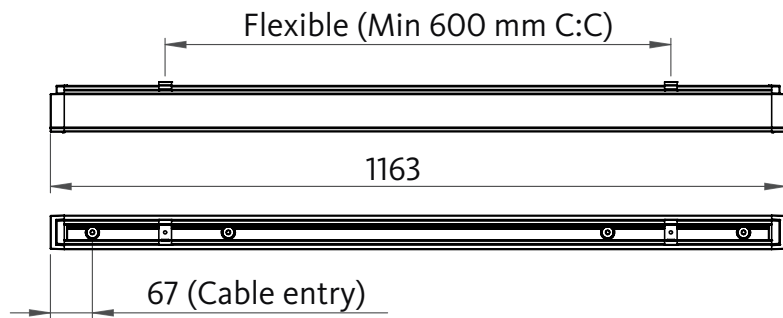
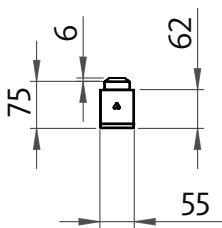
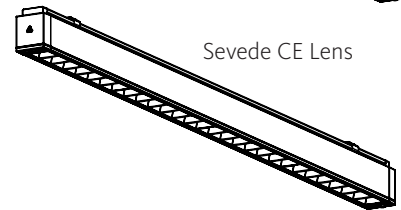
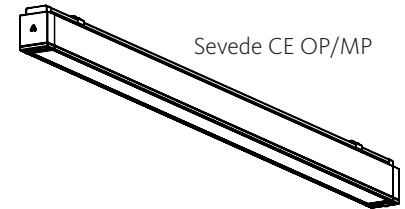
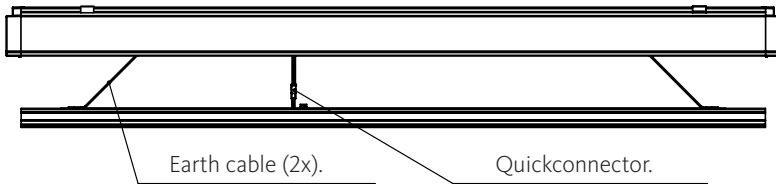


8: Removal of inner profile.
Only for maintenance.

Orientation



8 c



Note: The light source contained in this luminaire shall only be replaced by the manufacturer or his service agent or a similar qualified person.

Basic insulation between supply- and control-terminals (DALI).

If the external flexible cable or cord of this luminaire is damaged, it shall be exclusively replaced by the manufacturer or his service agent or a similar qualified person in order to avoid a hazard.

