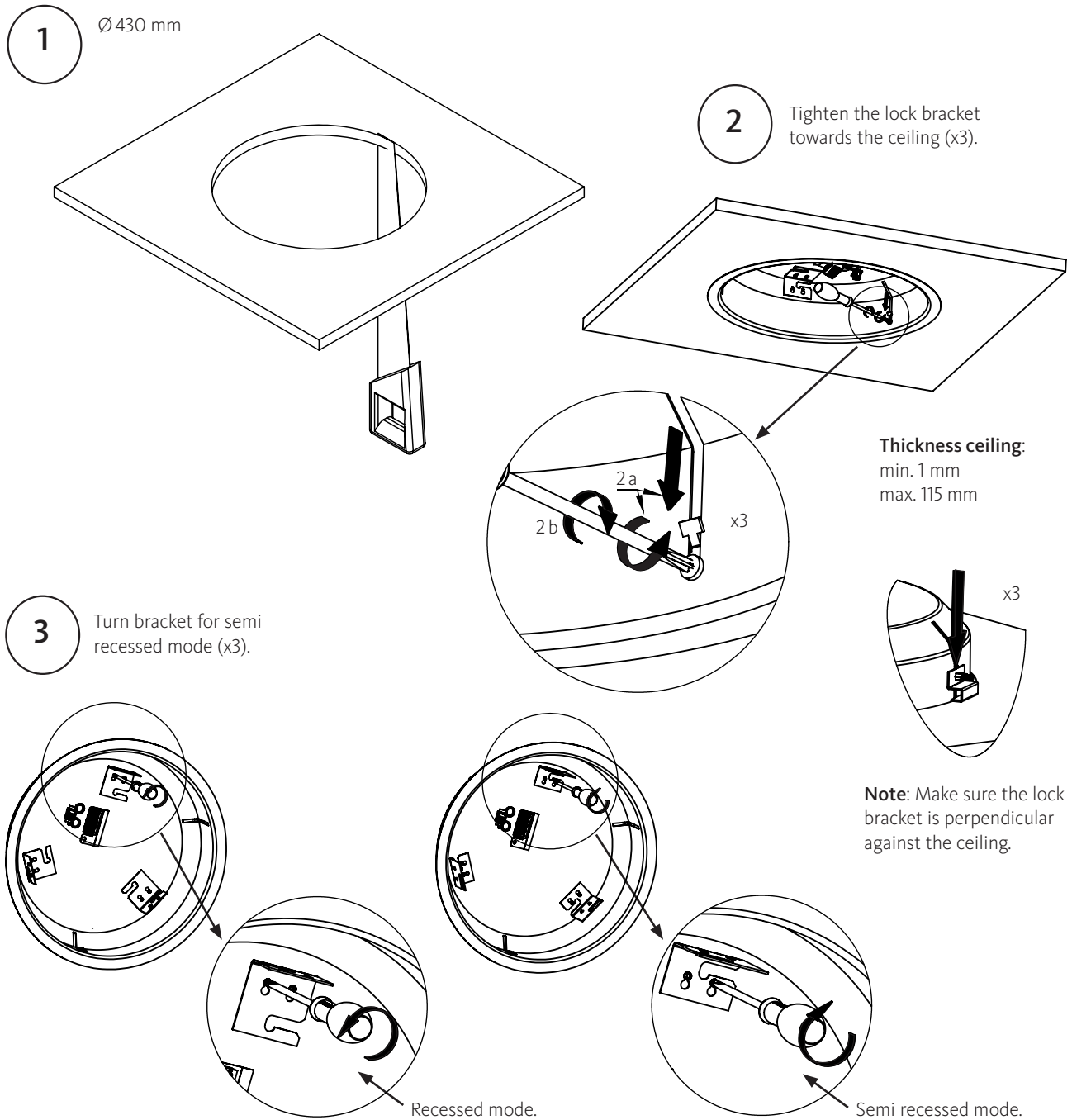
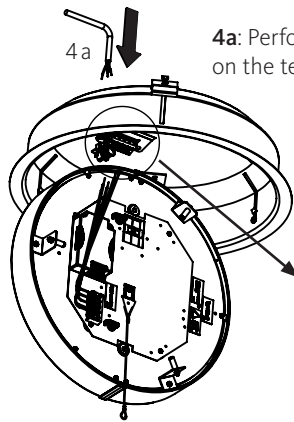


Kvill RE

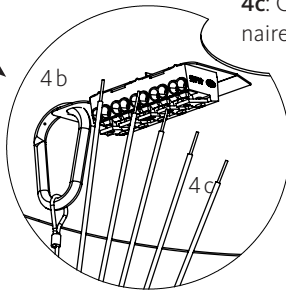
Installation manual



4



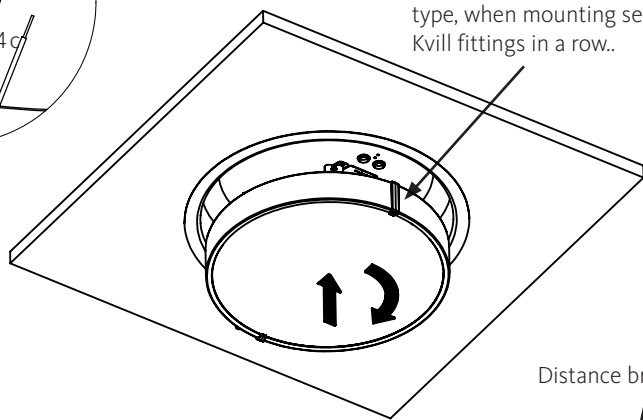
4a: Perform electrical installation on the terminal block main side.



4b: Use secure wire and attach the luminaire.

4c: Connect cables from luminaire to the terminal block.

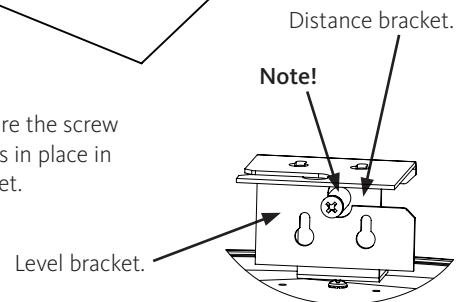
Note: Position of Aura logo-type, when mounting several Kvill fittings in a row..



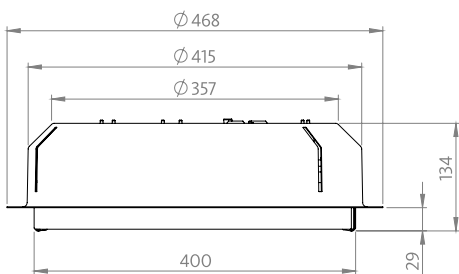
5

Match distance bracket with level bracket (x3). Turn into position, using bayonets.

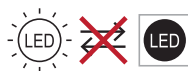
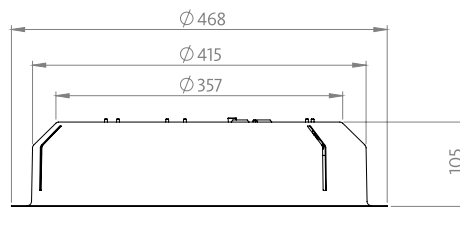
Note: Make sure the screw with distance is in place in the level bracket.



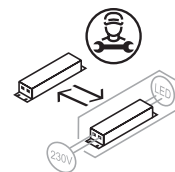
Dimensions semi recessed



Dimensions recessed



Non-replaceable light source.



Replaceable control gear by a professional.