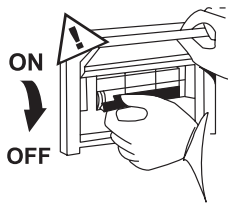
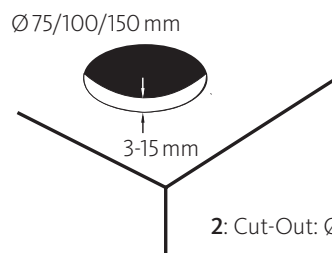


Jaz

Installation manual – D87, D113 & D164 – fixed and wall wash versions

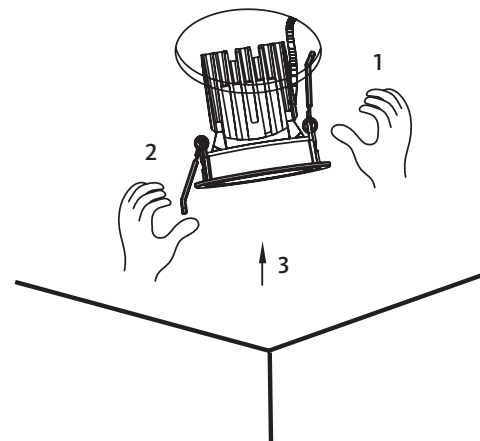
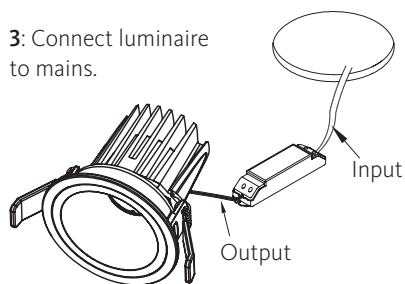


1: Make sure to turn off the main power.



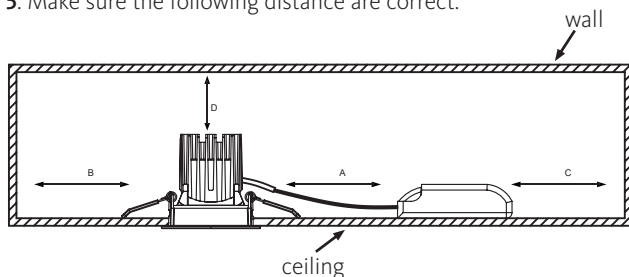
2: Cut-Out: Ø75/100/150 mm.

3: Connect luminaire to mains.



4: Push the spring upward, sufficiently lift the product so that the spring can be inserted into the ceiling.

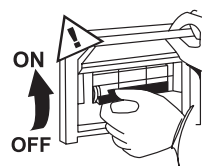
5: Make sure the following distance are correct.



A: min 0 mm.

B & C: min 100 mm.

D: min 40 mm.

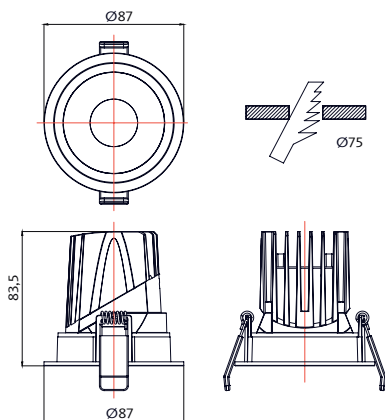


6: Turn the power switch back on to verify that the product is working properly.

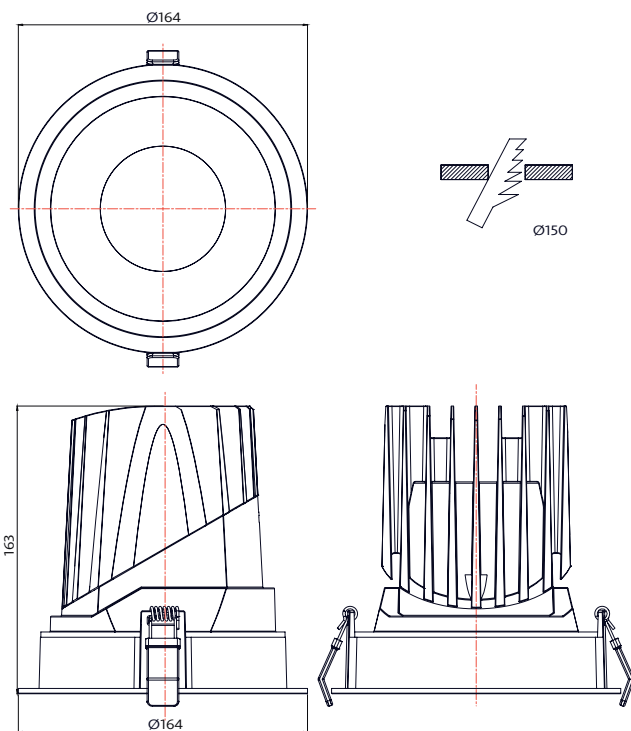
Jaz

Dimensions – D87, D113 & D164 – fixed versions

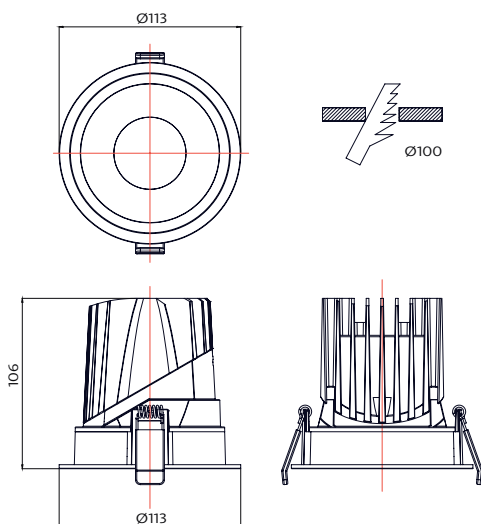
Modell: Jaz D87



Modell: Jaz D164



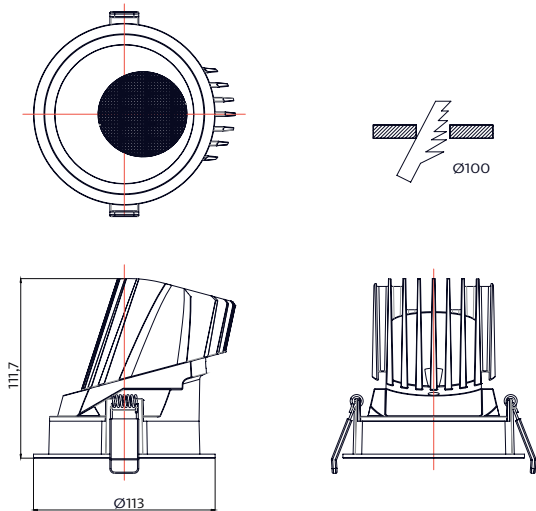
Modell: Jaz D113



Jaz

Dimensions – D113 & D164 – wall wash versions

Modell: Jaz D113



Modell: Jaz D164

