

Installation Instructions Retrofit Module Renett

General information

Aura Light International
Fönstergatan 17
59840 Vimmerby, Sweden
Internet: www.auralight.com

Conformities:

The current declaration of conformity can be found at: www.auralight.com

Safe use

- Observe the safety instructions!
- Observe the instructions on the type plate of the respective model.
- The luminaire may only be used for the approved purpose!
The manufacturer is not liable for any damage caused by incorrect or unauthorized use or by non-observance of these operating instructions.
- Non-observance of these operating instructions, the manufacturer can not be held liable.
- Ensure that the luminaire is undamaged before installation and commissioning!
- Work on the luminaire (installation, maintenance, servicing, troubleshooting) may only be carried out by authorized and trained personnel.

Intended use

The retrofit module is a piece of equipment that cannot be opened.

- for stationary installation.
- Can only be used indoors
- Can be mounted on compatible track systems
- suitable for illuminating production and storage areas.

Safety instructions:

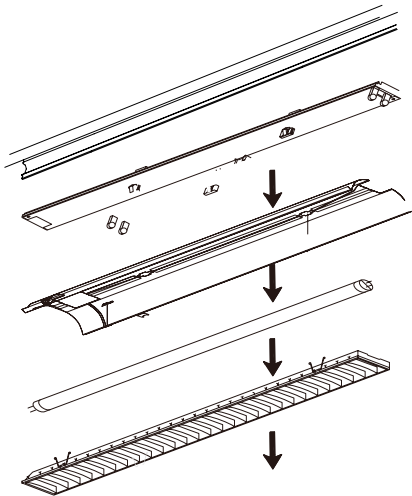
Any modification or conversion of the luminaire compared to the condition as delivered will result in the exclusion of warranty liability.

Before connecting the luminaire electrically, the mains supply must be disconnected from the power supply! Connecting the luminaire while it is live can cause damage!

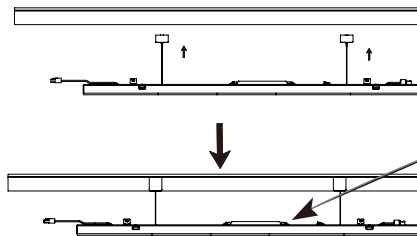
Renett

Installation manual

- 1** First disconnect the existing lighting system from the power supply! Then demount the existing gear tray. If possible, also remove the existing wiring harness to reduce weight.

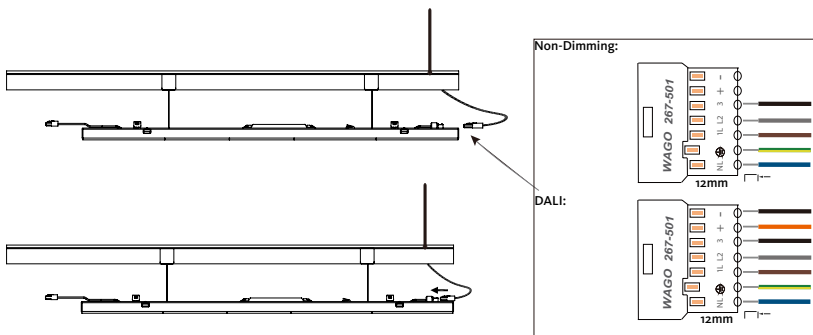


- 2** Install the first retrofit module. To do this, hang the module in the rail. If necessary, select the desired power



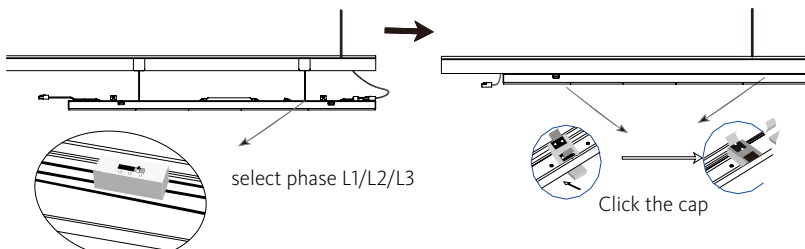
	Pin 1	Pin 2	Current	Wattage
Tridonic 65W	ON	ON	350mA	60W
	ON	OFF	300mA	50W
	OFF	ON	250mA	42W
	OFF	OFF	200mA	32W

- 3** Connect the mains adapter to the existing mains voltage and the first retrofit module according to the connection diagram.

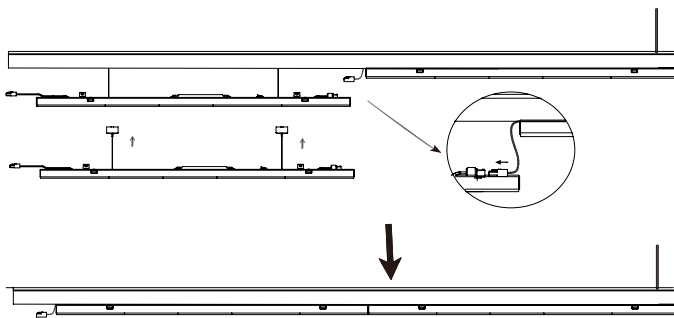


4 Mount the 2nd module and select different phases if necessary (L1/L2/L3).

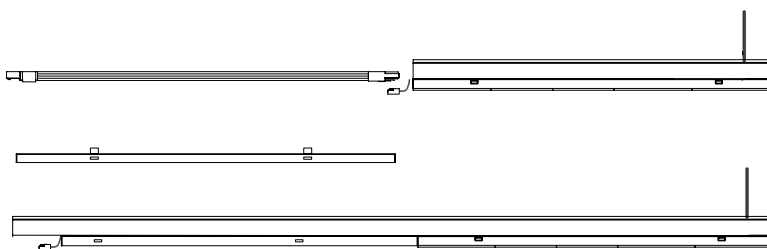
Press the locking device at the same time to insert the 1st module into the rail. When releasing the lock, the module must sit firmly in the rail and be flush. Observe the compatibility list! Afterwards, connect the power connection from module 1 to module 2.



5 Install further modules step by step, observing the connection phases (L1/L2/L3)



Note: When using blind covers, additional extension cables (accessories) are required to connect the retrofit modules!



Techinal data

Luminaries per fuse typ:

	B16	C16	C10
Renett GT-57/50/42/33W-840-60°/90°/120°	14	23	13
Renett GT-68W-Dali 840-60°/90°/120°	20	34	20

Ambient temperature range:	-20°C bis +40°C
Voltage range:	230-240V / 50hz-60Hz 198-264 DC (note driver!)
Efficiency	0,90
Lifetime (L80 B10)	80.000h
Protection class	IP40
Protection rating:	IK08
Protection class	1
Photometric data:	Light emission: > max. 175° (depending on optics)
SDCM:	3
	CRI :80
Lumen/W:	160
Light colour:	4000K

Cleaning & care:

Water and mild cleaning agents are permitted, but not in conjunction with abrasive, scratching or aggressive cleaning equipment or hight-pressure cleaners.

Disposal

Electrical waste can be recycled! Therefore, observe national regulations and legal requirements for the disposal of electrical waste.

Replacing the lamp

It is possible to replace the LED board. To do this, remove the 4 screws from the optics and then remove the supply cables (right & left on the LED board) from the socket. Then insert the new LED board, observing the polarity, and connect the cables. The board is fixed with the 4 screwa through the optics.