

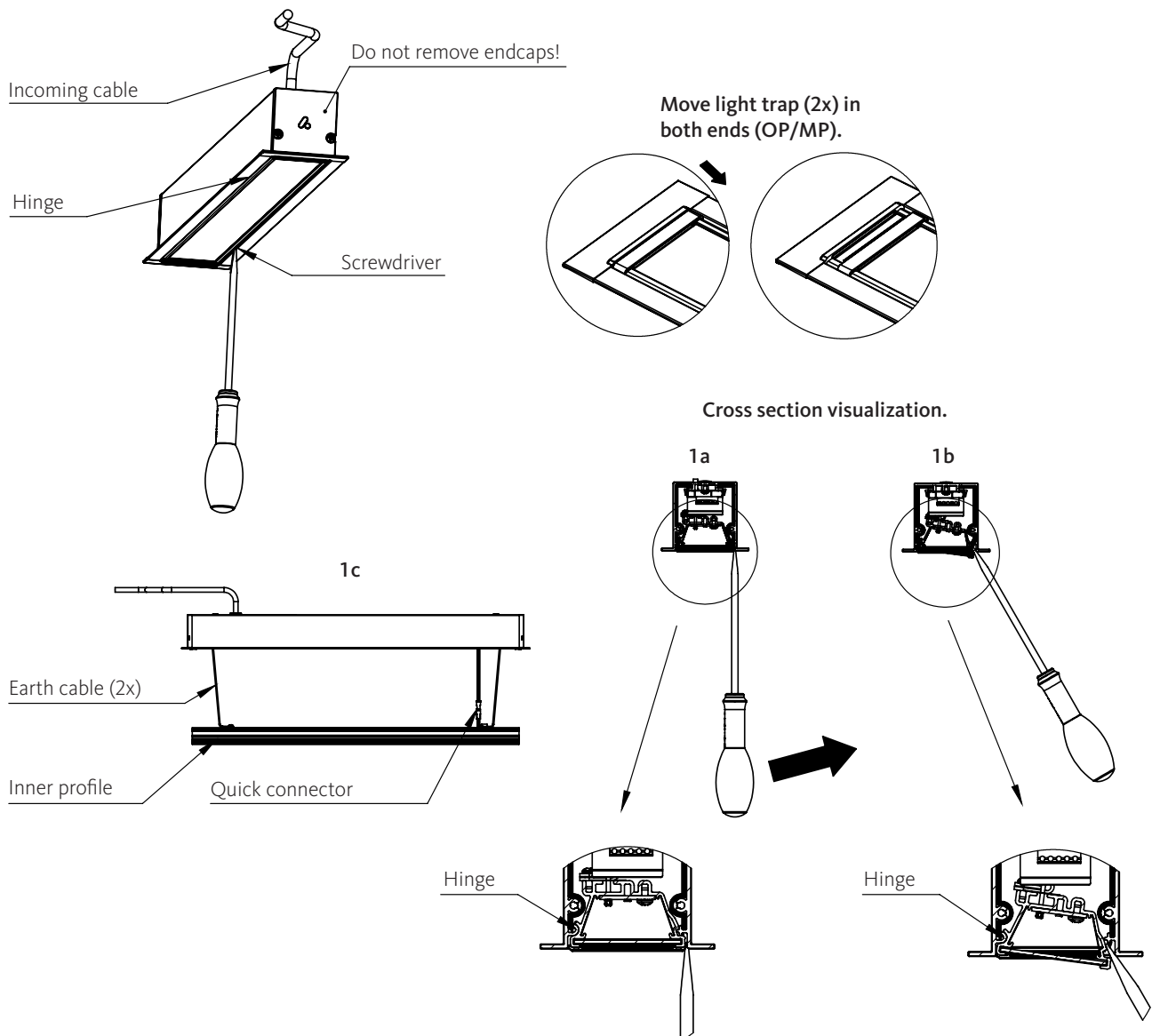
Sevede RE

Installation manual for plaster ceiling

Bracket kit for Sevede RE Plaster Ceiling.
Article number 9330600.

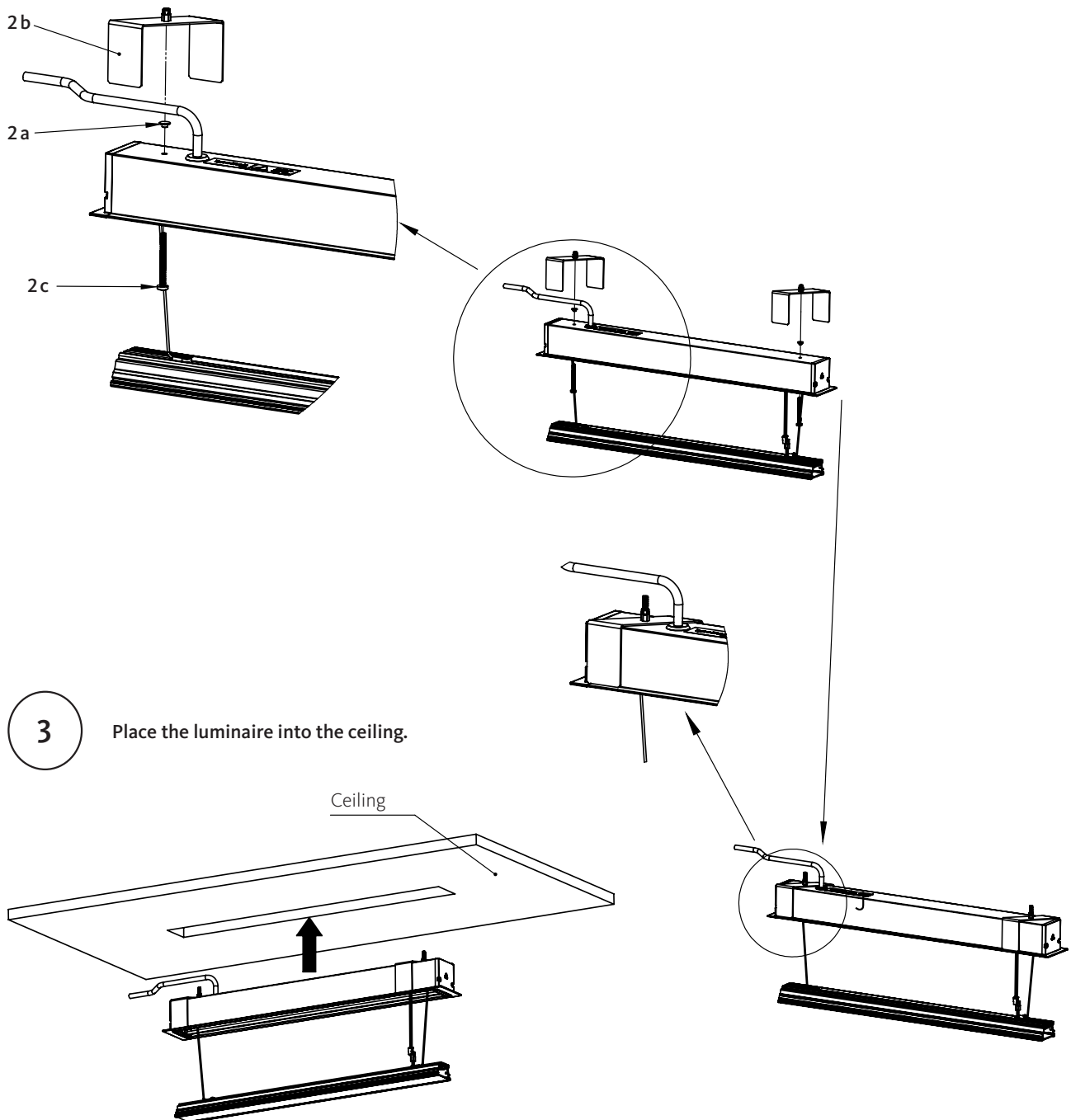
1

Prepare the luminaire.
Remove inner profile.



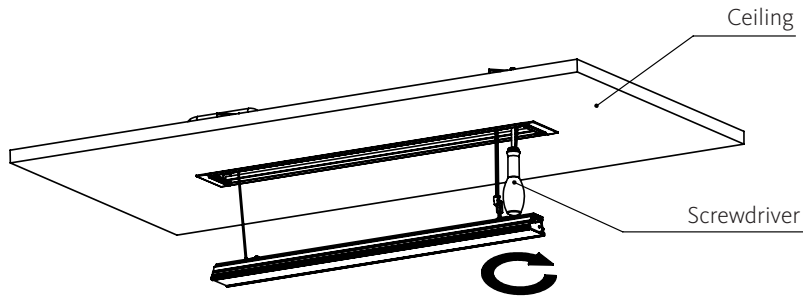
2

Remove the plastic knobs (a). Attach brackets 2x (b) and screws 2x (c).



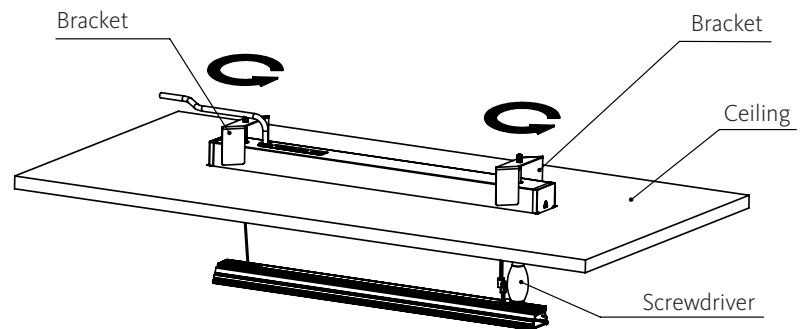
4

Use screwdriver for both brackets.



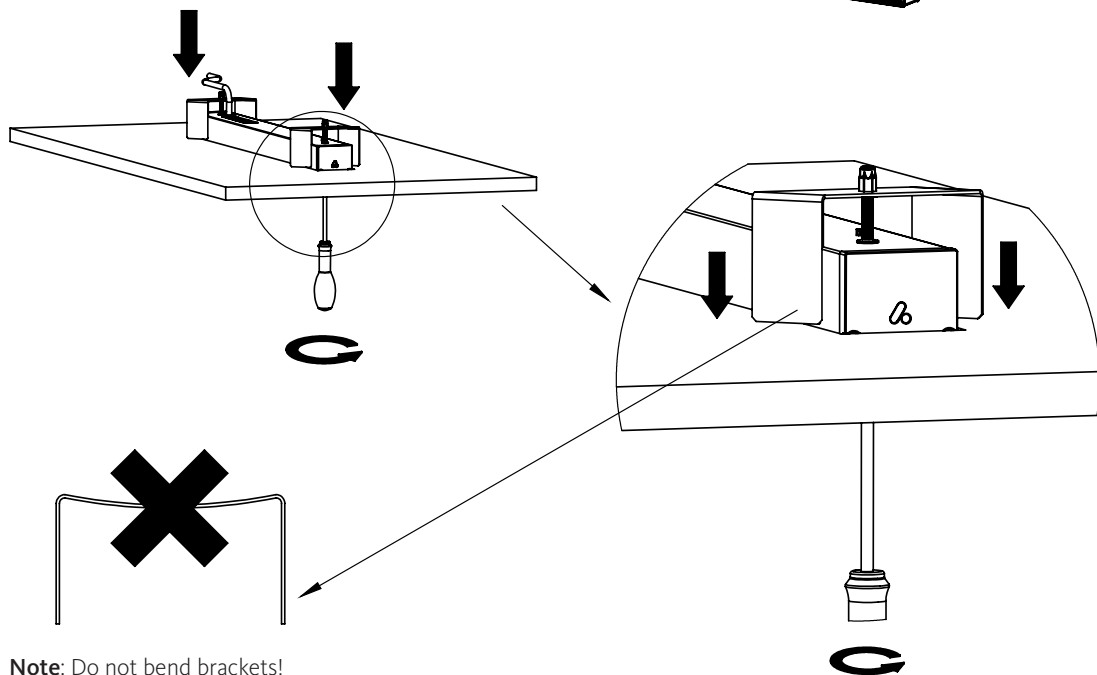
5

The brackets rotates 90°.



6

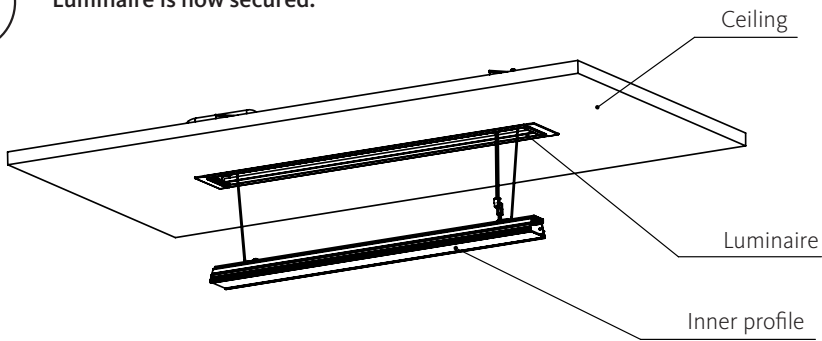
The brackets press towards the ceiling while screwing.



Note: Do not bend brackets!

7

Luminaire is now secured.

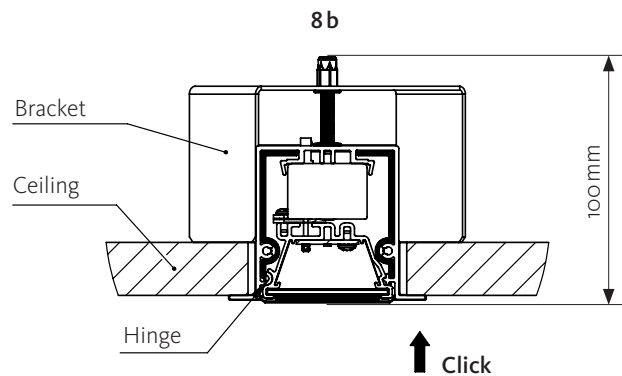
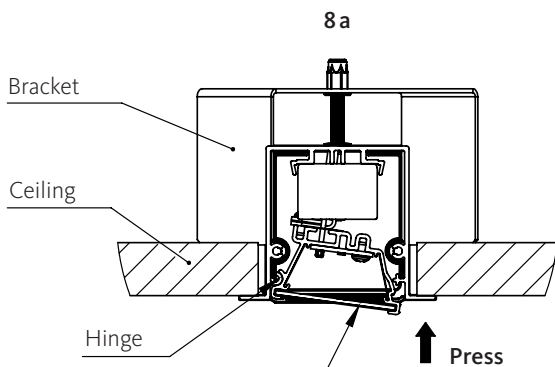


8

Attach inner profile.

Cross section visualization

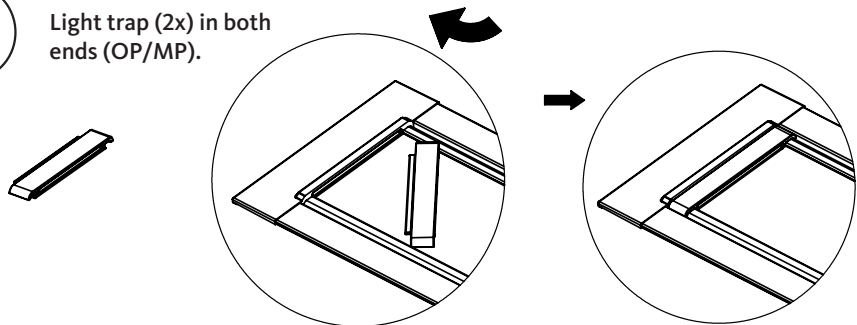
Keep inside cables away when mounting inner profile!



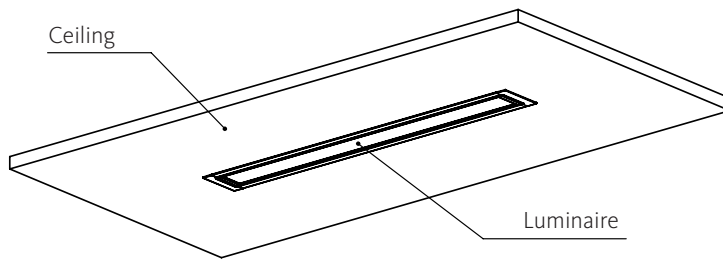
Secure optical sheet and keep it centered.

9

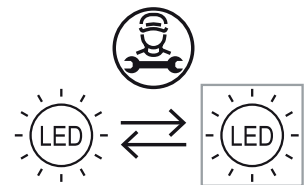
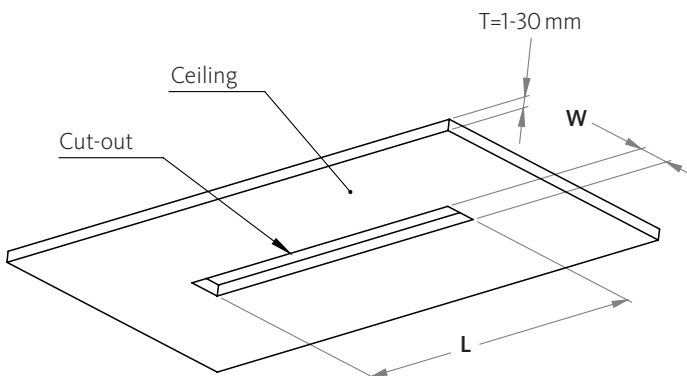
Light trap (2x) in both ends (OP/MP).



10 Ready.



VERSION	CUT-OUT LxW (mm)	THICKNESS=T (mm)
Sevede 600	580x60	min. 1 - max. 30
Sevede 625	605x60	min. 1 - max. 30
Sevede 1200	1170x60	min. 1 - max. 30
Sevede 1250	1220x60	min. 1 - max. 30



Note: The light source contained in this luminaire shall only be replaced by the manufacturer or his service agent or a similar qualified person.

Basic insulation between supply- and control-terminals (DALI).

If the external flexible cable or cord of this luminaire is damaged, it shall be exclusively replaced by the manufacturer or his service agent or a similar qualified person in order to avoid a hazard.

