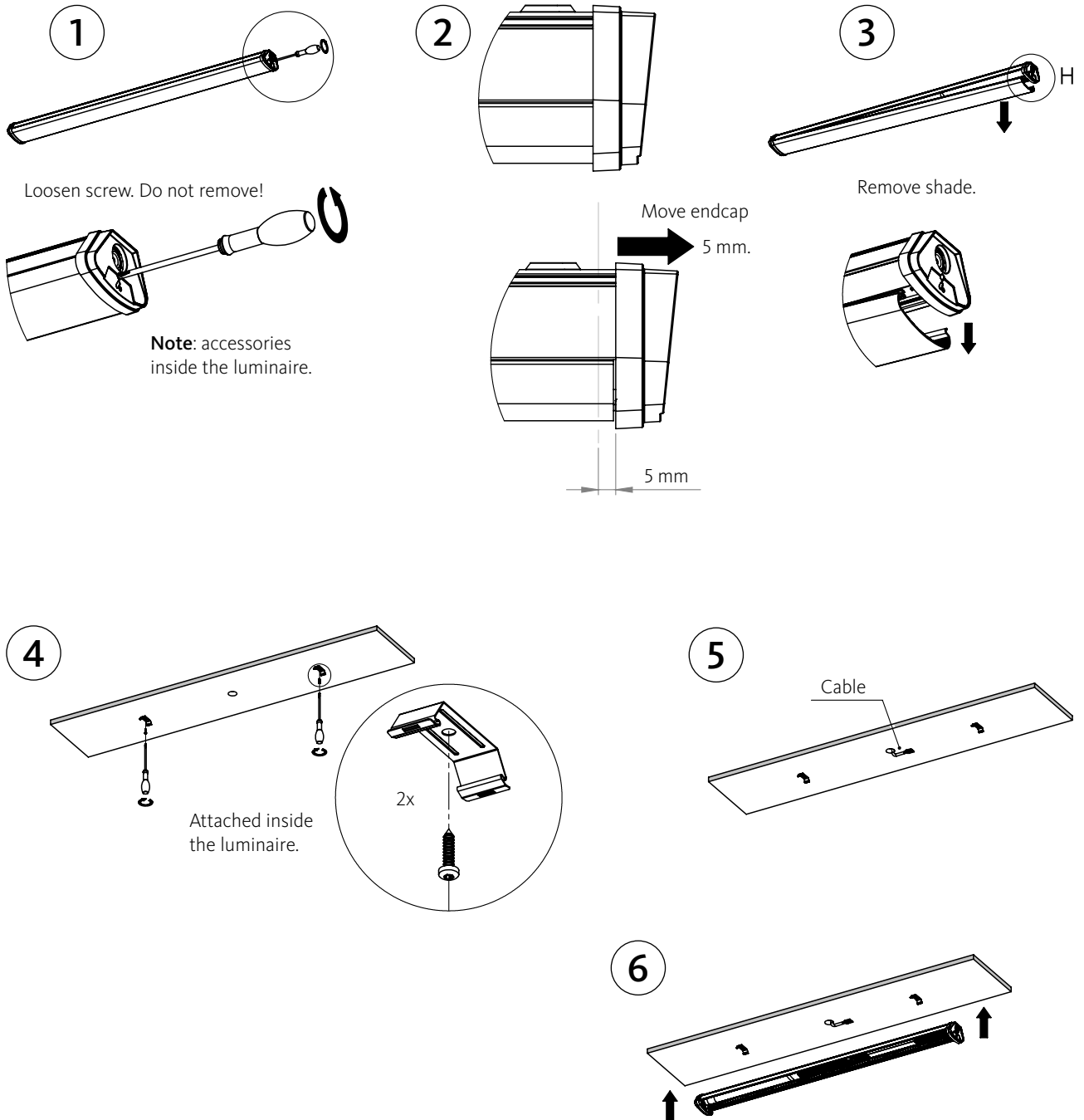
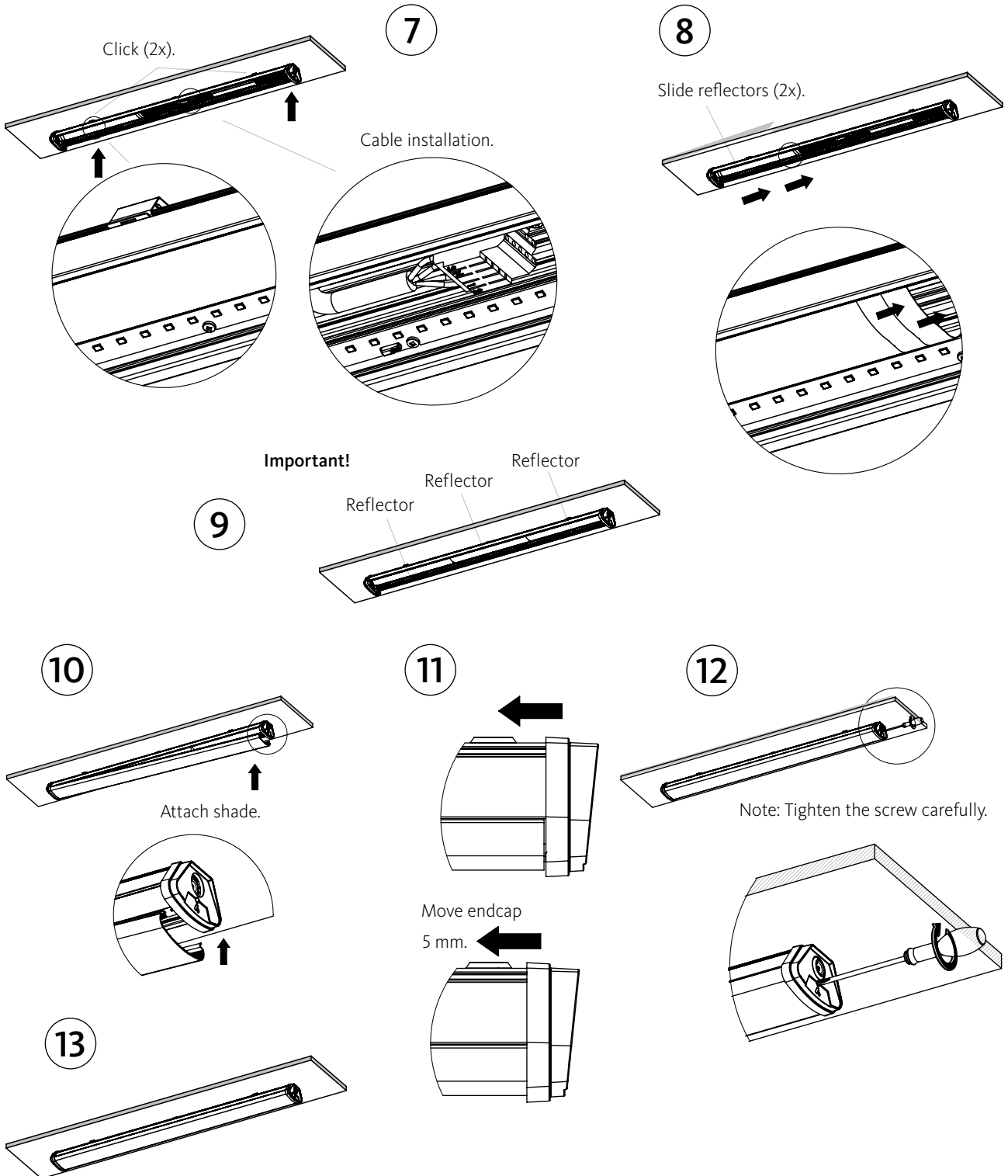


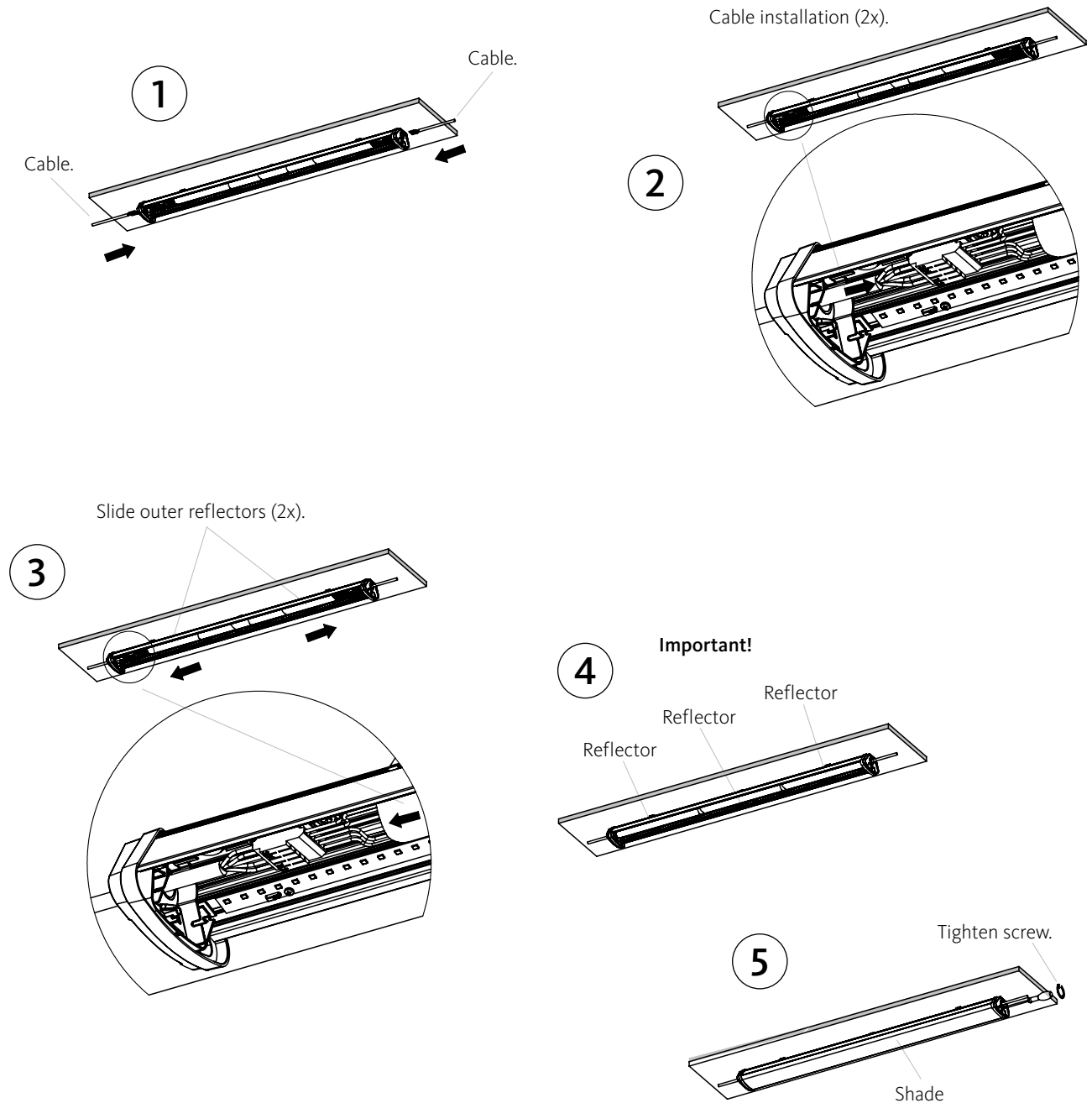
Kleva

Installation manual



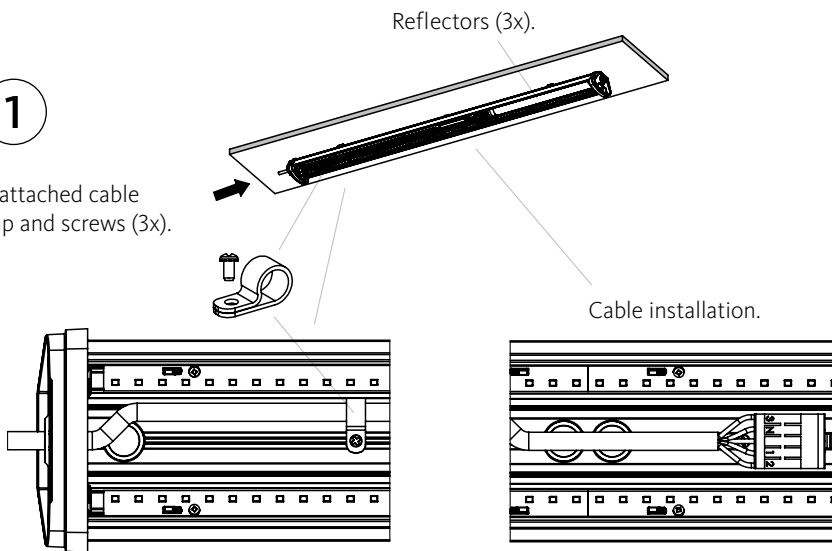
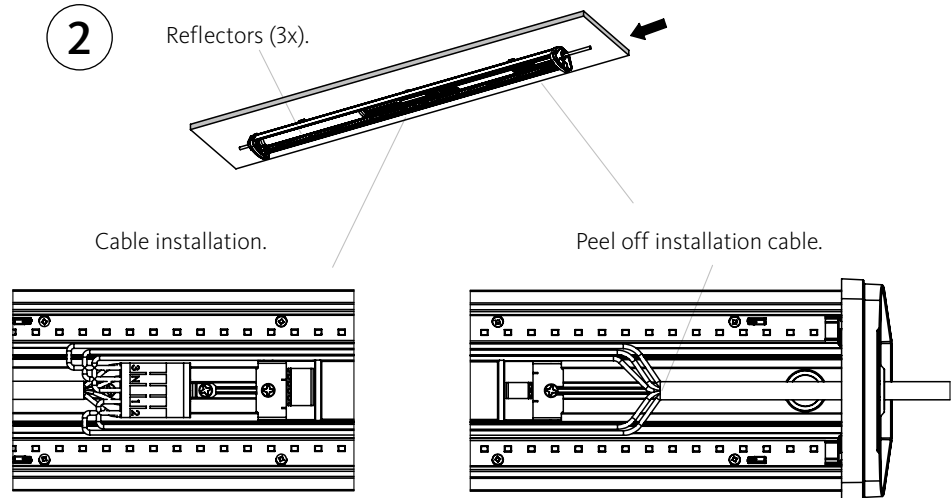
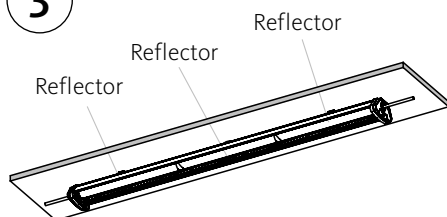
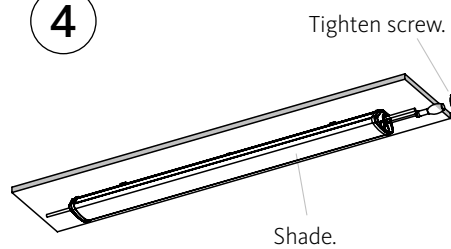


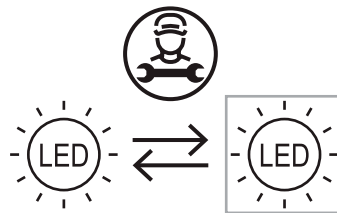
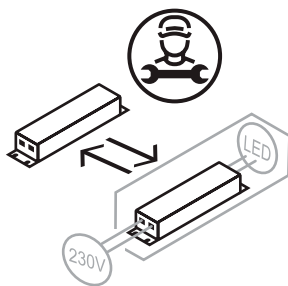
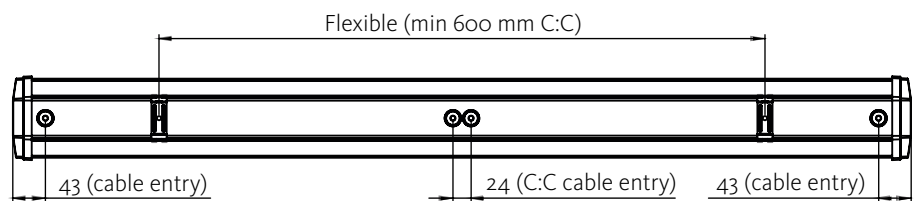
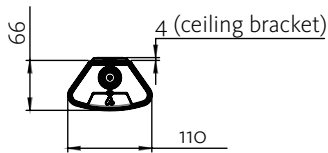
Internal through-wiring (pre-installed).



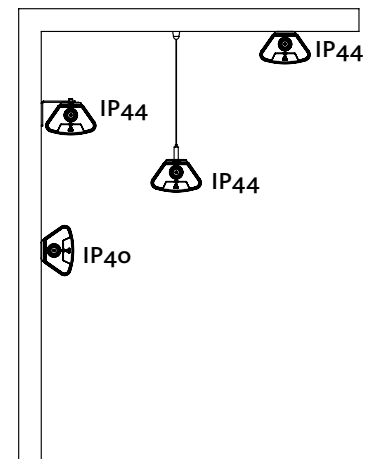
Centre through-wiring
1

Use attached cable clamp and screws (3x).


2

3
Important!

4




IP-rating Kleva



The luminaire contains a control gear and a replaceable LED light source that shall only be replaced by manufacturer.

Note: Kleva is meant for indoor use, in non-heated and heated environments (-25) - (+40) For example: Garage, factories, stairways, corridors, washrooms. IP44 = Protected against light dust and water splash.

For rougher environments where high protection is needed, we recommend Aura Lights solutions with IP65 classification.

DALI: Basic insulation between supply- and control-terminals.