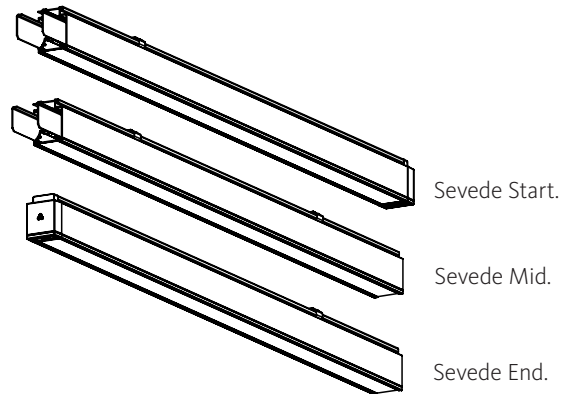
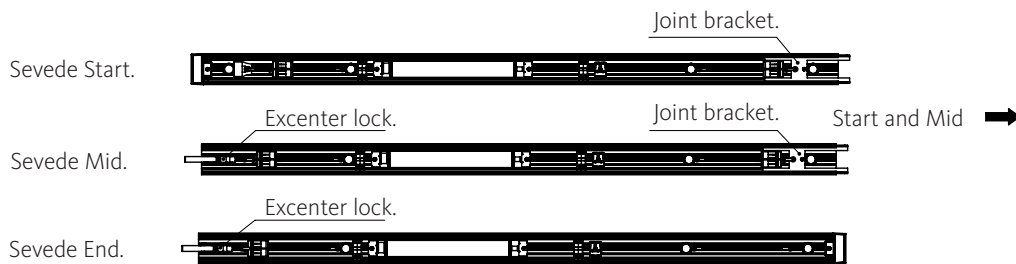


# Sevede RAMP

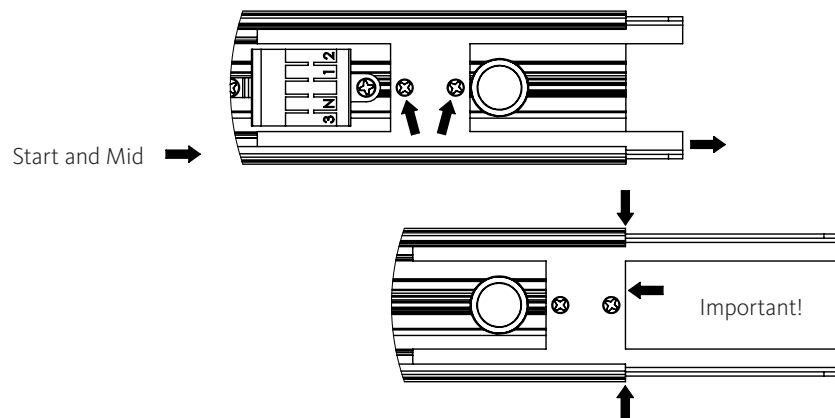
Installation manual



1: Prepare luminaires.



2: Move joint bracket to exact position.  
Secure with screws.



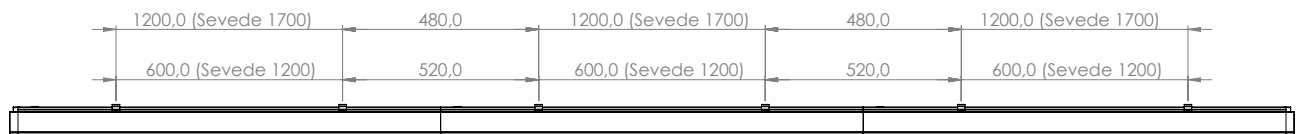
**3 a:** Mount "Sevede Start" according to the manual for standard Sevede CE/PE.

**3 b:** Mount "Sevede Mid" or "Sevede End".

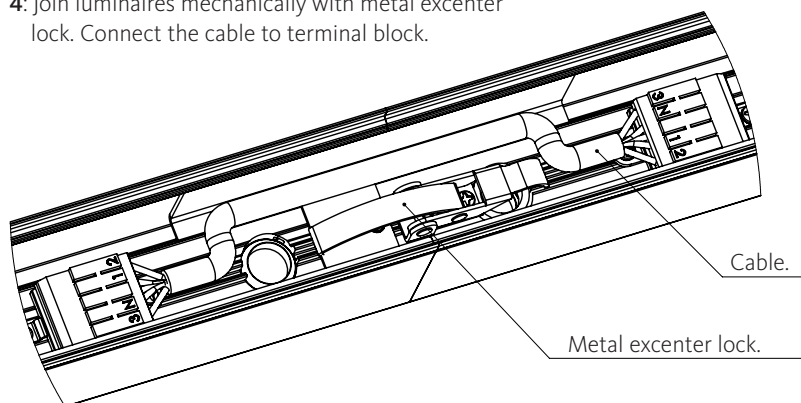
**3 c:** Mount "Sevede End".



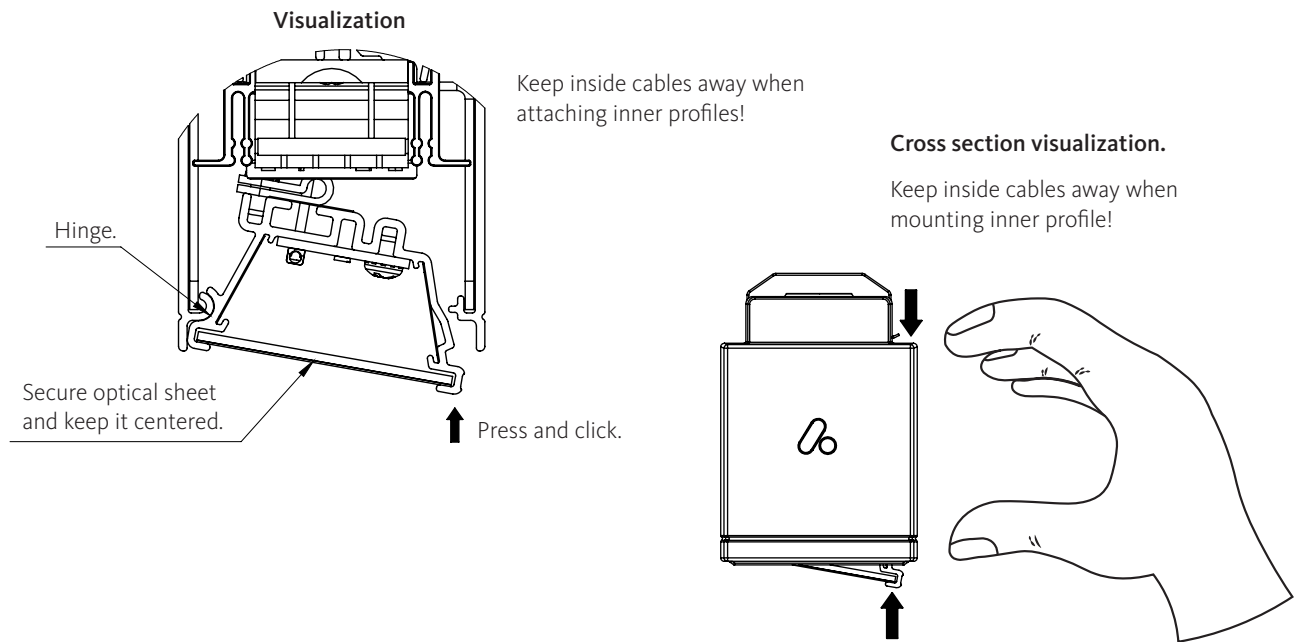
**Recommended C:C for Sevede 1200 CE/PE and Sevede 1700 CE/PE, installed in lines.**



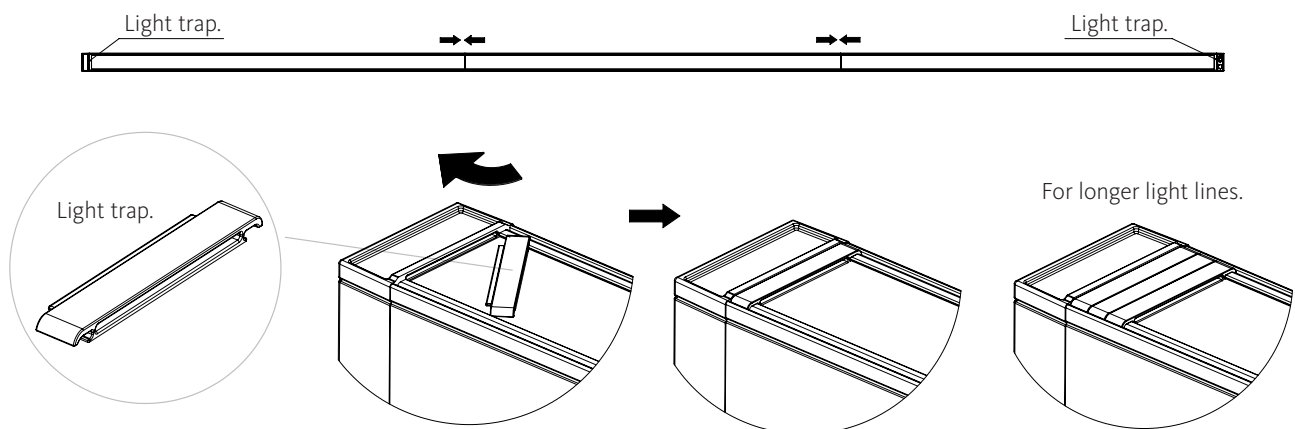
**4:** Join luminaires mechanically with metal excenter lock. Connect the cable to terminal block.



5: Attach inner profiles.



6: After installation; move optics to centre, without any light gaps. Place "light traps" at each end. Applicable for opal and microprismatic versions.



**Note:** The light source contained in this luminaire shall only be replaced by the manufacturer or his service agent or a similar qualified person.

Basic insulation between supply- and control-terminals (DALI).

If the external flexible cable or cord of this luminaire is damaged, it shall be exclusively replaced by the manufacturer or his service agent or a similar qualified person in order to avoid a hazard.

