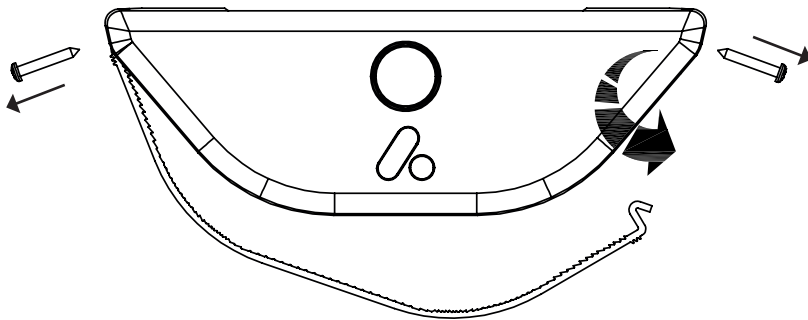
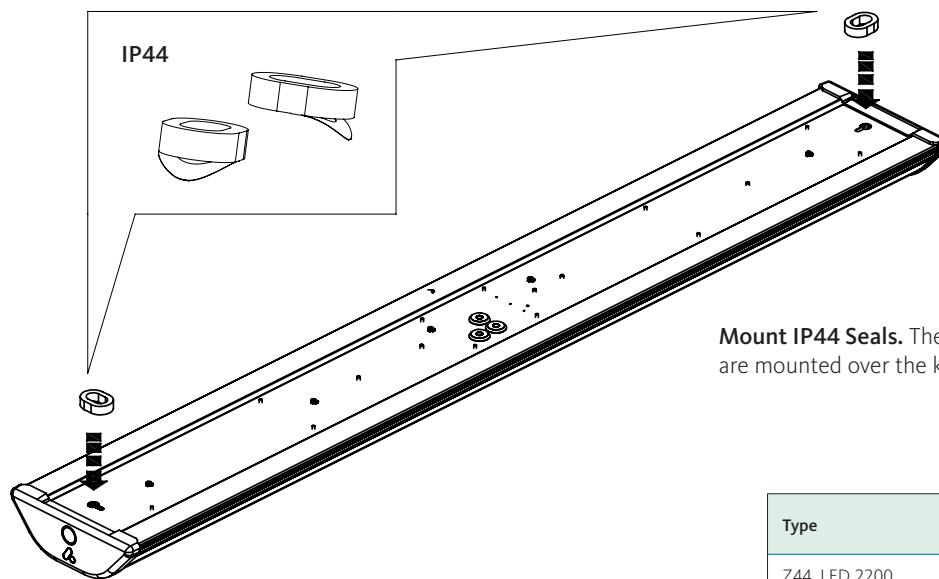


# Z44

Installation manual



**Disassemble the diffuser.** Make sure the safety screws are removed (2x).



**Mount IP44 Seals.** The adhesive seals are mounted over the key holes.

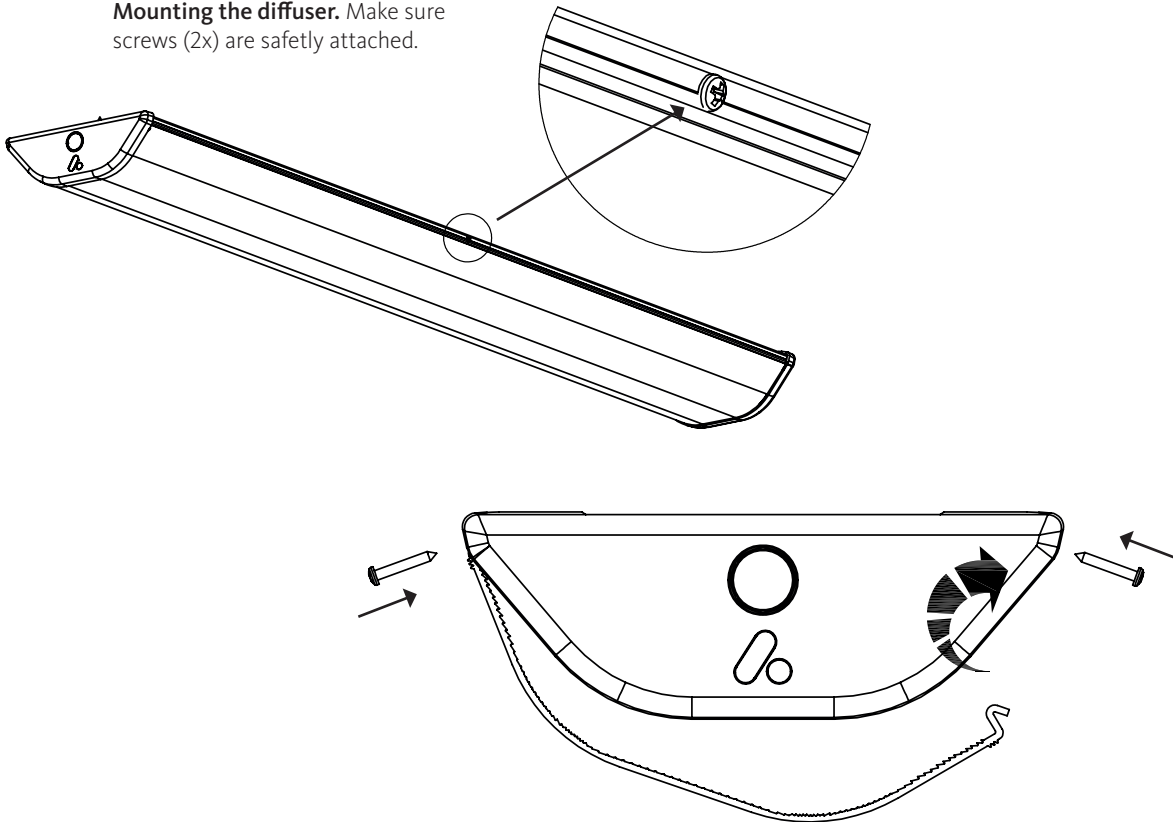
**Mounting.** Attach the luminaire with screw for the current surface. C/C according to the right. Perform electrical installation.

Type	C-C (mm)
Z44, LED 2200	500
Z44, LED 2900	500
Z44, LED 4500	1100
Z44, LED 6900	1100
Z44, LED 7400	1400

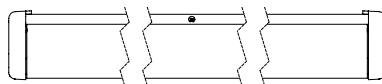
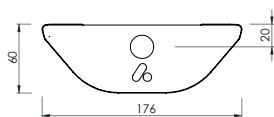


↑ Screw (2x) max Ø5 mm.

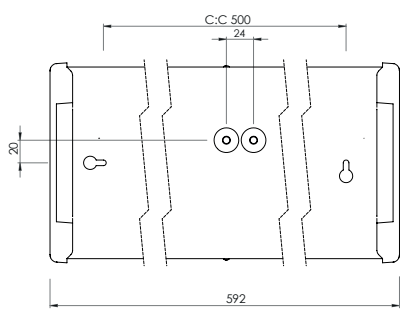
**Mounting the diffuser.** Make sure screws (2x) are safely attached.



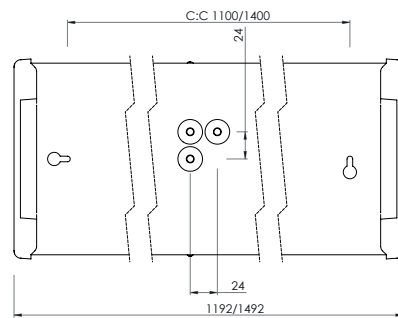
**Dimensions**



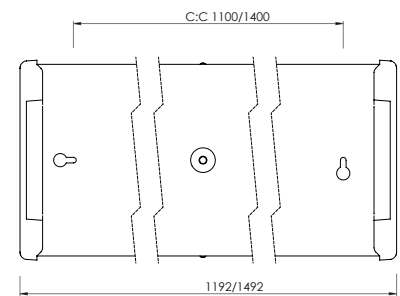
The light source contained in this luminaire shall only be replaced by the manufacturer or his service agent or a similar qualified person.



600 mm standard



1200/1500 mm standard



1200/1500 mm with through wiring