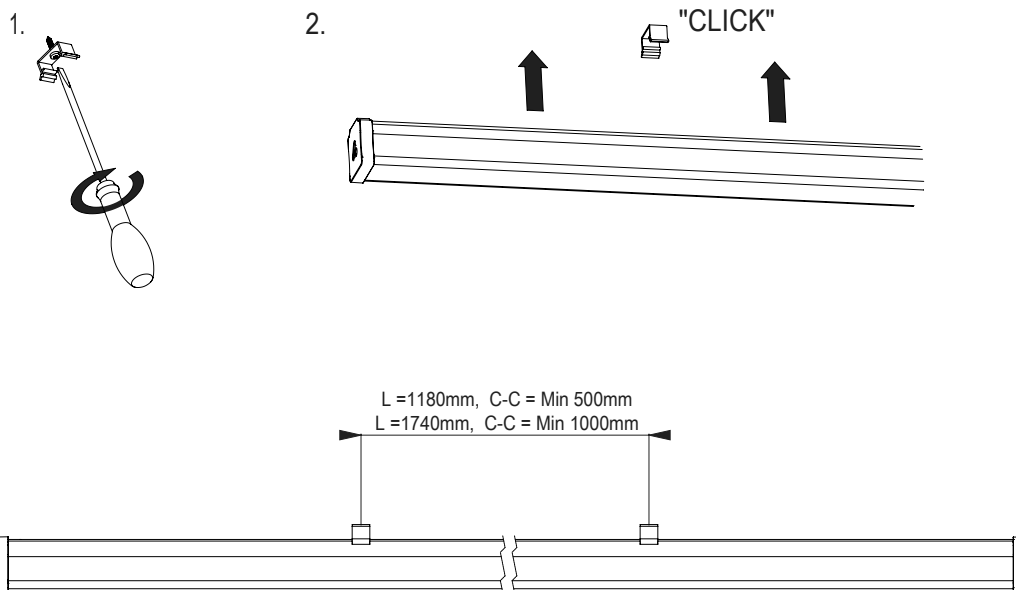


# Grace line Single CE

Installation manual



# Driverbox

Installation manual

