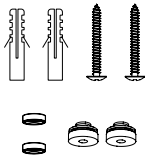
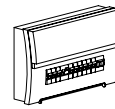
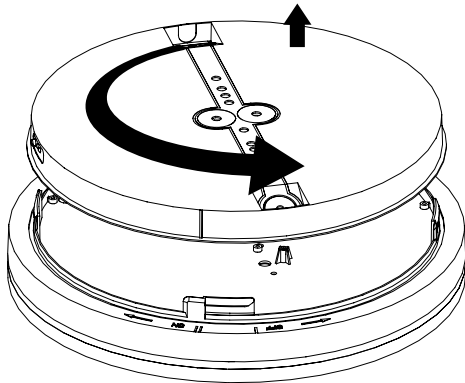


Collina

Installation manual – surface mounted



1



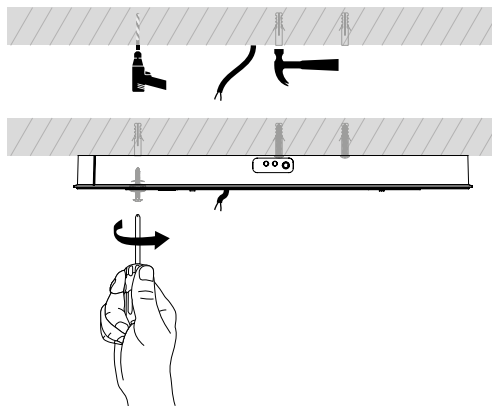
Turn off
Power Supply

A: Switch off before installation.

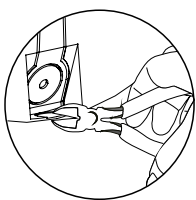
B: Switch on only after complete installation and examination of the circuit.

C: Professional electrician for installation and maintenance only.

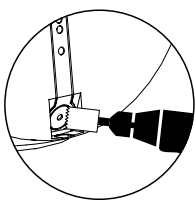
2



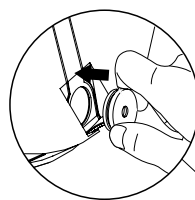
3



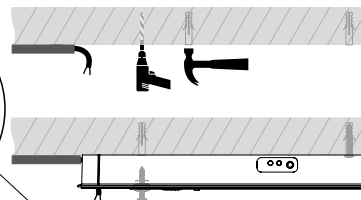
3a



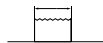
3b



3c



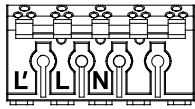
20 mm ± 1mm



Surface mounted open
wire installation

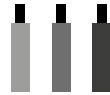
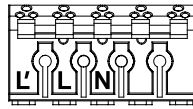
3

On/off version
Sensor on/off version



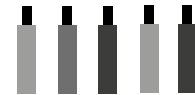
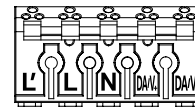
L' = n/a*
L = Unswitched
N = Neutral

Sensor emergency version



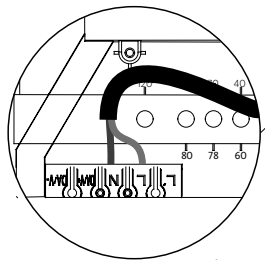
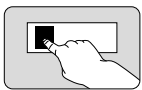
L' = Switched
L = Unswitched
N = Neutral

DALI emergency version

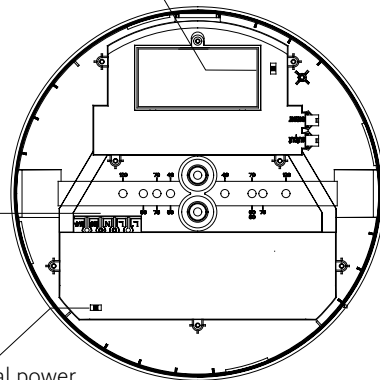


L' = Switched
L = Unswitched
N = Neutral
DA/V + = DIM+
DA/V - = DIM-

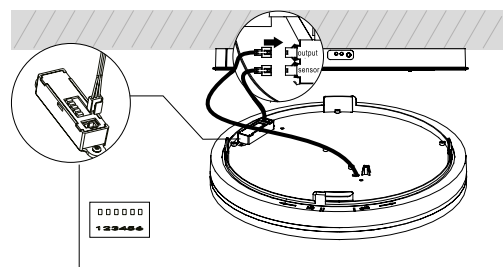
Select preferred colour temperature for product in CCT change function only.



Select initial power

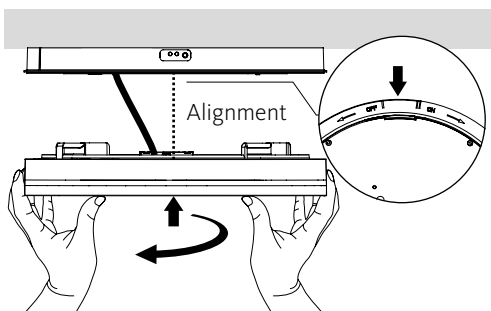


4



For adjustable sensor model, please select the sensor mode before mounting to ceiling or wall. See factory settings on next page!

5



6

Caution, risk of electric shock! 

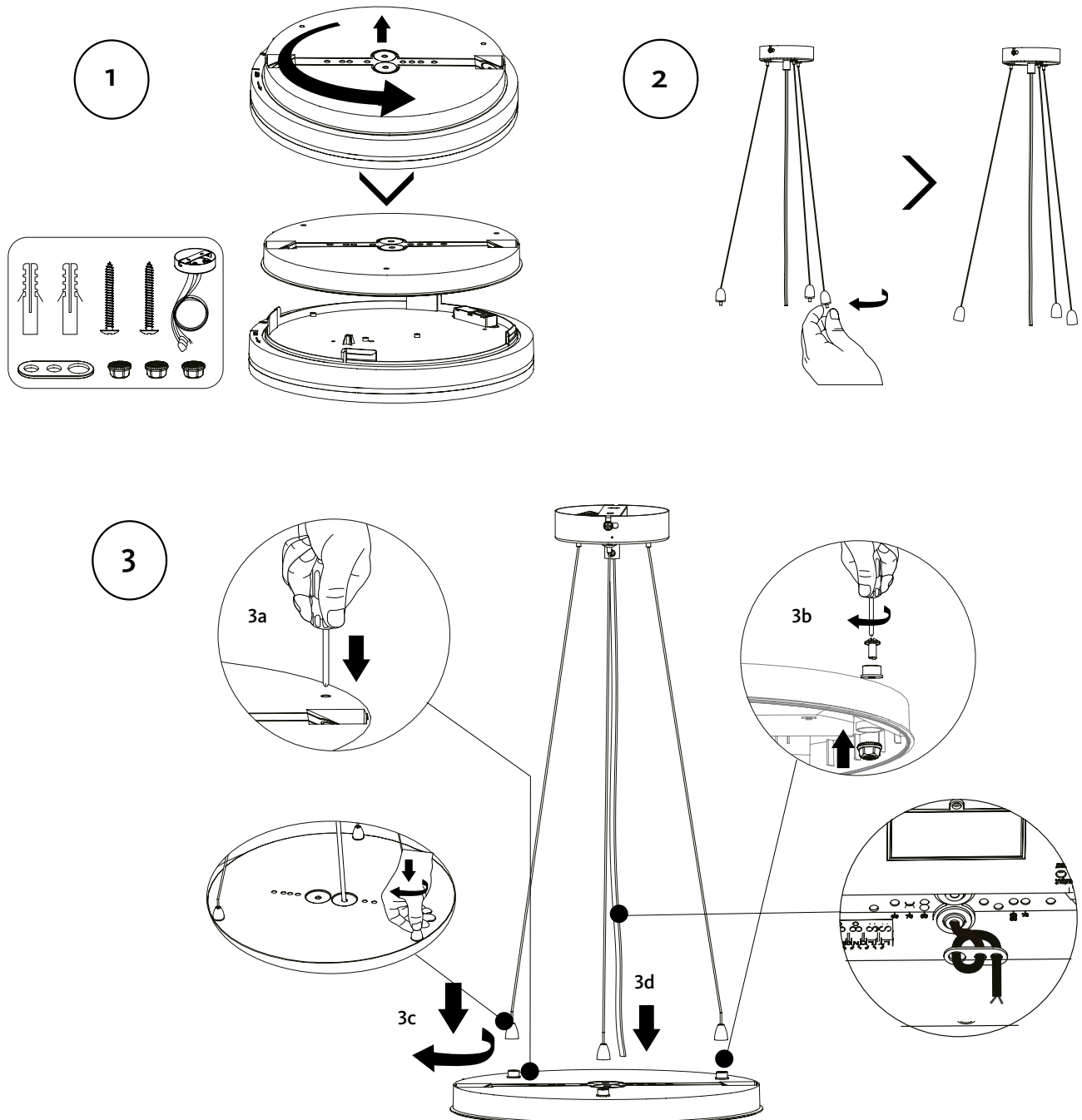


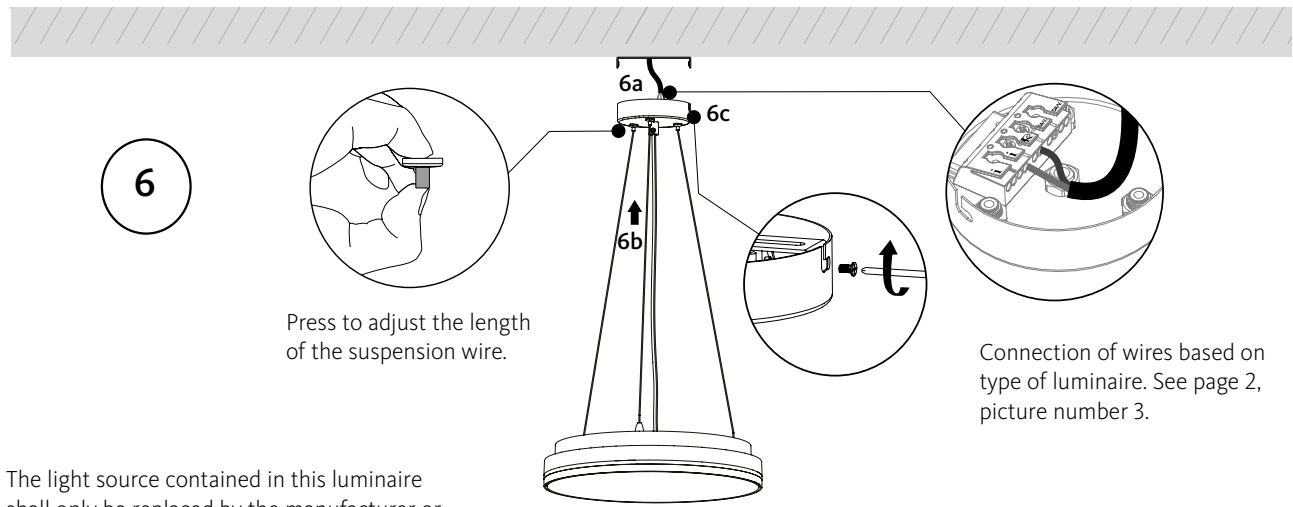
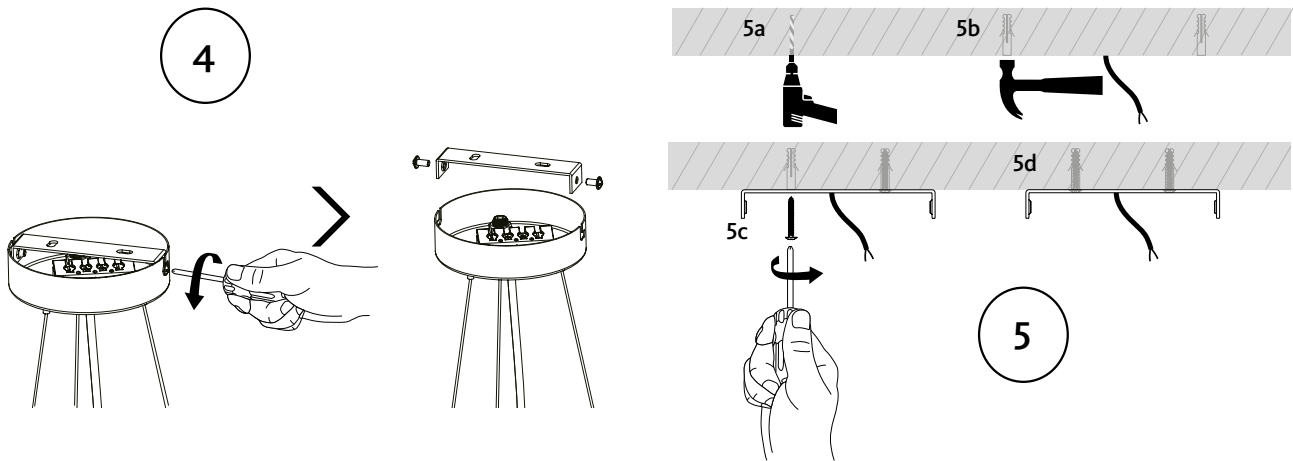
Complete.

The light source contained in this luminaire shall only be replaced by the manufacturer or his service agent, or a similar qualified person.


Suspended installation

With round ceiling plate





The light source contained in this luminaire shall only be replaced by the manufacturer or his service agent or a similar qualified person.

Caution: Risk of electric shock. 

Function instructions – for specific function, please refer to actual model.



Sensor

Detection area: 140 degree wide detective beam angle with 4-6 meter distance.



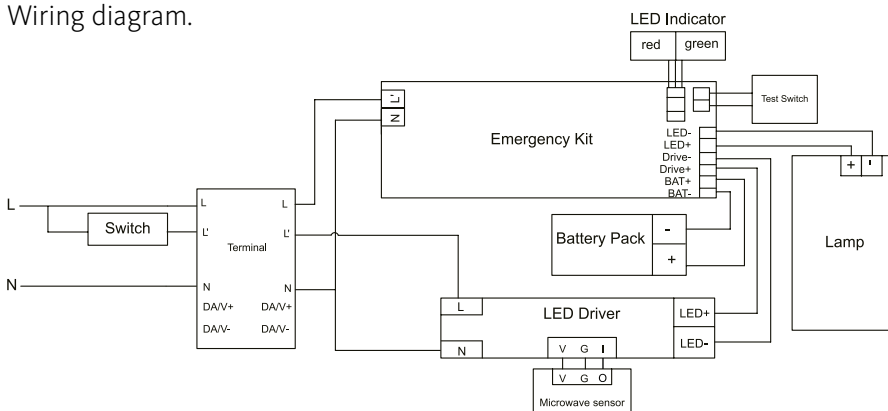
Emergency

Emergency function switches automatically between power cut and power restoration.

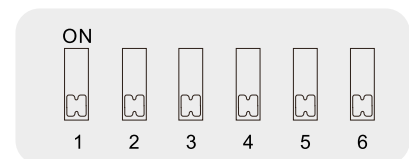
- Li battery, high efficient.
- Battery duration: 3 h.
- Charge period: 24 h.

Sensor datasheet – sensor & sensor EM version	
Operating voltage	DC7-12V
Power consumption	0,5W ± 0,2W
Microwave frequency	5,8 GHz ± 75MHz, ISM wave band
Transmission power	<0,5mW
Detection angle	140°
Detection area	4-6M
Hold time	5s/60s/3min/10min
Daylight sensor	30lux/disable
Stand-by DIM level	0%/20%
Stand-by period	15min/∞
Dimming range	-
Microwave on/off function	-
Recommended installation height	Wall mounted: 1,8m. Ceiling mounted: 3m.
Operating temperature (°C)	-20 °C ~ 60 °C

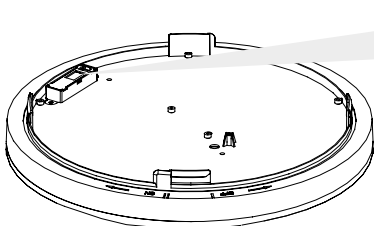
Wiring diagram.



Factory settings.



Daylight & microwave sensor.



DIP	1	2	3	4	5	6
ON	100%	-	5S	-	disable	0%
ON	50%	ON	60S	ON	30lux	ON
ON	-	ON	3min	-	-	-
ON	ON	ON	10min	-	-	ON

Sensor settings.

Detection area	
1	
-	100%
On	0%

Hold time		
2	3	-
-	-	5s
-	On	60s
On	-	3min
On	On	10min

Daylight sensor	
4	-
-	disable
On	30lux

Stand-by dim level	
5	
-	0%
On	20%

Stand-by period	
6	
-	∞
On	15min

Detection area

Detection area can be reduced by selecting the combination on DIP switches to fit precisely each application.

Notice 1: the test is based on a height of 3m, the radius is the ground detect distance, which can be selected through the slide switch.

Notice 2: the detective range is measured by human body whose stature is around 1,6-1,7m with medium size and traveling speed is around 1,0-1,5m per second. If the stature, bodily form and traveling speed are changed, then the detective range will be changed accordingly.

Notice 3: test result will be highly influenced by test environment, the more open environment, the closer detect distance; the narrower environment, the longer detect distance. The detector may do self-excitation in a narrow environment.

Hold time

Refers to the time period the lamp remains at 100% illumination after no motion detected.

Notice 1: the hold time can be selected by the slide switch. The hold time counting should be started after the sensor is powered on and initialized.

Daylight sensor

The sensor can be set to only allow the lamp to illuminate below a defined ambient threshold. when set to disable mode, the daylight sensor will switch on the lamp when motion is detected regardless of ambient light level.

Notice 1: the light threshold can be selected through the slide switch, it may cause a large deviation in different lamps.

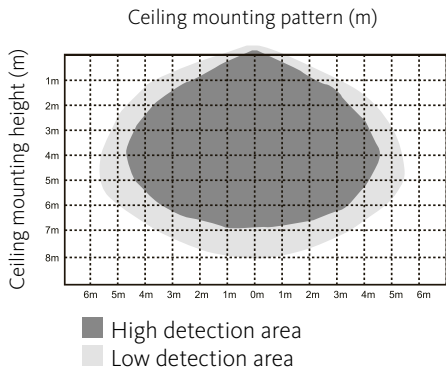
Stand-by dimming level

This is the dimming low light output level you would like to have after the hold-time in the absence of people.

Stand-by period

This is the time period you would like to keep at the low light output level before it is completely.

Induction range.



Instructions for automatic test option

1. Once the unit is powered up it will automatically initiate a self test and diagnostics as follow:

- Every 4 seconds: check for battery disconnection, charger board fault, lamp failure and transport failure.
- Every month: perform a 3 minute duration test.
- Every year: perform a 1 hour- or 3 hours duration test.

All test functions are factory preset and do not need field adjustment.

2. Dual colour indicator LED status meanings:

- Green - Solid On, Ready/Normal operation.
- Red - Requires service.

•	One flash, 4 second pause	Battery not connected
••	Two flash, 4 second pause	Low battery voltage
•••	Three flash, 4 second pause	Charger board fault
••••	Four flash, 4 second pause	Transformer fault
•••••	Five flash, 4 second pause	LED lamp fault

Note: after repairing a service fault, press and hold the test button for 2 seconds to reset the flashing indicator light to green.

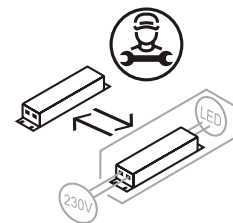
3. Manual test:

Press test button once	30 second duration test
Press test button twice within 2 seconds	3 minutes duration test
Press test button 3 times within 2 seconds	30 minutes duration test
Press test button 4 times within 2 seconds	1 or 3 hours duration test

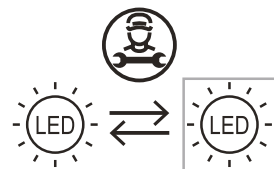
To ensure correct function and safety, please read and follow all instructions carefully before using the product.

- 1: Turn off power supply before installation or before doing any maintenance work.
- 2: Do not install any luminaire near the heat source.
- 3: IP grade please refer to product label.
- 4: Do not exceed the nominal supply voltage or amperage ratings.
- 5: Dimmable version could be compatible with a wide range of recommended TRIAC dimmers.
- 6: All wiring and installation of the light fitting must adhere to local and national wiring rules.
- 7: Take care not to pull any electrical wires during unpacking as this may damage the connection.
- 8: Lay out all the components on a smooth surface and make sure there are no components missing before assembling.
- 9: To avoid injury or damage to the fitting, please ensure that power leads and screws are secure before connecting the power.
- 10: Please keep instructions for future reference.
- 11: For non-user replaceable light source: the light source contained in this luminaire shall only be replaced by the manufacturer or his service agent or a similar qualified person.
- 12: The battery in this luminaire shall only be replaced by the manufacturer or his service agent or a similar qualified person.
- 13: To achieve the best using effect, the battery should be charged and discharged every six months (for emergency products only).

Variant	Power (W)	Lumen efficacy (lm/W)		Lumen output (lm)	
		3000 K/4000 K/5700 K	3000 K	4000 K/5700 K	3000 K
Collina D300 on/off, & sensor on/off	10	103	110	1030	1100
	15	103	110	1550	1650
	20	103	110	2050	2200
Collina D300 sensor on/off emergency	12	86	92	1030	1100
	17	91	97	1550	1650
	22	93	101	2050	2200
Collina D400 on/off & sensor on/off	15	111	120	1670	1800
	20	111	120	2220	2400
	25	111	120	2780	3000
Collina D400 sensor on/off emergency	17	98	106	1670	1800
	22	101	109	2220	2400
	27	103	111	2780	3000



Replaceable control gear by a professional.



Replaceable LED light source by a professional or manufacturer.

DALI: Basic insulation between supply- and control-terminals.